



This line of decorative solid wood open cell ceilings, available in a variety of materials and finishes, provides several unique configurations for an open structure ceiling design.

FEATURES AND BENEFITS

- Enhance your open space with a unique wood panel style
- Available in a variety of patterns and cell sizes:
 - Solid Wood: 24" x 24" and 24" x 48" Modules
 - Veneer: 24" x 24" Modules
- Installs easily in a traditional heavy duty suspension system
- Select from our standard simulated finishes, special order from our extensive library of wood species and veneers, or specify a custom wood, veneer, finish, paint color or laminate to match project elements
- Achieve noise reduction coefficient up to 0.75 NRC with acoustic infill
- Manufactured with sustainable wood materials
- Comprised of low-emitting materials and components

ATTRIBUTES



NRC
UP TO 0.75



CUSTOMIZATION
AVAILABLE



FIRE RATING:
PER ASTM E84
AND CAN/ULC-S102

CLASS A (VENEER)
CLASS C (SOLID WOOD)
CLASS A COATING (SOLID WOOD)

LEED® v4

RECYCLED CONTENT

up to 80%

- ✓ EQ: Acoustic Performance (EQc)
- ✓ EQ: Low-Emitting Materials (EQc)¹
- ✓ MR: Regional Materials (MR Credits)²
- ✓ MR: Recycling (MRC)³
- ✓ MR: Raw Materials Sourcing (MRp2)⁴

¹ CertainTeed Wood Ceiling and Wall products meet General Emissions Evaluation per the CDPH standard; v1.2 2017

² 200% credit if project with 100 miles of manufacturing site

³ Wood products are recyclable and can be diverted from landfills and incinerators through recycling, recovery, reuse or salvage

⁴ Ask about FSC® availability (FSC-C151918)

LEED® is a registered trademark of the U.S. Green Building Council.

CERTIFICATIONS



FSC® AVAILABLE
ON REQUEST



LOW-EMITTING
MATERIALS / LOW VOC
(CDPH/EHLB/
STANDARD METHOD
VERSION 1.2, 2017)

COLORS AND FINISHES

A wide variety of solid wood and veneer species, cuts, and matches are available. Additional custom materials, laminates, and color matching are also available upon request. Actual shades or grains may vary; request a sample for more accurate finish portrayal. Solid wood and veneer species are shown with a clear finish and top coat. The three character species code is followed by the single character finish code. For example: Solid Poplar (WPL) in an Oat finish (D) is WPLD. Species below shown with clear finish (O).

SOLID WOODS

Hardwoods



Softwoods



Texture Sawn Solid Woods

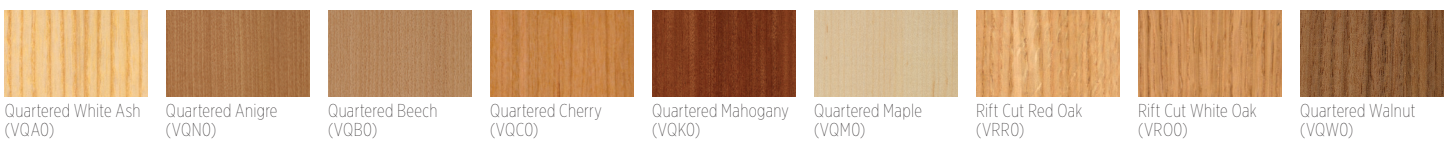


VENEERS

Plain Slice Veneers



Quartered and Rift Cut Veneers



Reconstituted Quartered Veneers Engineered to deliver a uniform appearance across an installation



Bamboo Veneers



STAINS AND FINISHES


Clear finish available standard on all solid woods and veneers. All finishes and stains are available standard on Hemlock Mixed Grain (WHM) and Poplar (WPL) solid woods.

Standard Species and Stain Combinations

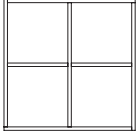
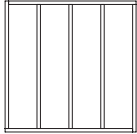
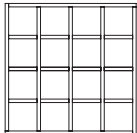
- Plain Slice Cherry (VPC): Merlot (I) and Auburn (H)
- Plain Slice Walnut (VPW): Coffee (C)
- Plain Slice Maple (VMP): Patina (A)
- Reconstituted Quartered Maple (RMC): Patina (A)



Finishes shown on Solid Poplar. Clear finish available standard on all products.

 **Additional veneer species, stains, color matching and finishes are available upon request. Please see catalog for more options or contact your local sales representative to get started.**

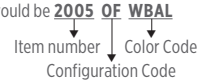
STANDARD PRODUCT CONFIGURATIONS

		DIMENSIONS (W x L x H) (in)	WEIGHT (lbs. / sq. ft.)	
FOUR SQUARE PATTERN (OF) 12" x 12" CELLS				
	SOLID WOOD	2005OF____	24" x 24" x 2-1/4"	0.65
		2010OF____	24" x 48" x 2-1/4"	0.65
	VENEER	2305OF____	24" x 24" x 2-1/4"	1.30
LINEAR PATTERN (OL) 6" X 24" CELLS				
	SOLID WOOD	2105OL____	24" x 24" x 2-1/4"	0.76
	VENEER	2405OL____	24" x 24" x 2-1/4"	1.50
MULTI-SQUARE PATTERN (OM) 6" X 6" CELLS				
	SOLID WOOD	2205OM____	24" x 24" x 2-1/4"	1.10
		2210OM____	24" x 48" x 2-1/4"	1.10
	VENEER	2505OM____	24" x 24" x 2-1/4"	2.20

UNDERSTANDING ITEM NUMBERS

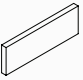
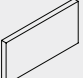
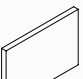
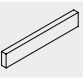
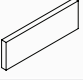
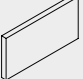
To specify or order a specific product, include the 4-digit Item Number followed by the 2-character Configuration Code and the 4-character Color Code.

Example: to order a 2' x 2' four square pattern cell in Basswood Solid Wood with a Hazel Finish the item number would be **2005 OF WBAL**



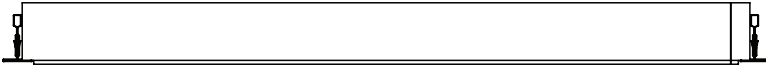
STANDARD TRIMS AND ACCESSORIES

Trim and Trim Accessories sold by the piece as needed for the specific installation and includes the installation accessories as noted.

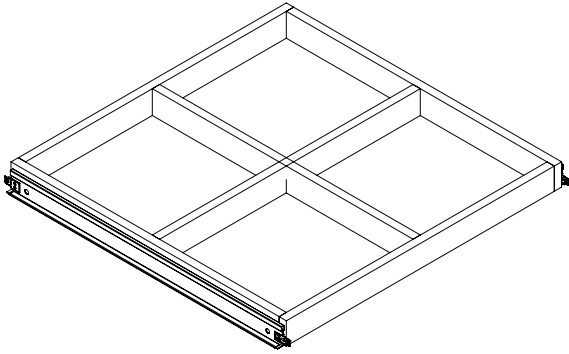
INSTALLATION ACCESSORIES	PRODUCT NAME	COLOR	USE	
	1015T4____	4" x 96" x 3/4" Trim	Veneer Finishes	4" perimeter trim; each 96" trim piece includes one (1) 3" Alignment Splice Plate (C-101) and requires four (4) Perimeter Clips (CTSPC2), sold separately, for trim installation
	1025T6____	6" x 96" x 3/4" Trim	Veneer Finishes	6" perimeter trim; each 96" trim piece includes one (1) 3" Alignment Splice Plate (C-101) and requires four (4) Perimeter Clips (CTSPC2), sold separately, for trim installation
	1005T8____	8" x 96" x 3/4"	Veneer Finishes	8" perimeter trim; each 96" trim piece includes one (1) 3" Alignment Splice Plate (C-101) and requires four (4) Perimeter Clips (CTSPC2), sold separately, for trim installation
	1105T2____	2" x 96" x 3/4"	Solid Wood Finishes	2" perimeter trim; each 96" trim piece includes one (1) 3" Alignment Splice Plate (C-101) and requires four (4) Perimeter Clips (CTSPC2), sold separately, for trim installation
	1105T4____	4" x 96" x 3/4"	Solid Wood Finishes	4" perimeter trim; each 96" trim piece includes one (1) 3" Alignment Splice Plate (C-101) and requires four (4) Perimeter Clips (CTSPC2), sold separately, for trim installation
	1105T6____	6" x 96" x 3/4"	Solid Wood Finishes	6" perimeter trim; each 96" trim piece includes one (1) 3" Alignment Splice Plate (C-101) and requires four (4) Perimeter Clips (CTSPC2), sold separately, for trim installation

INSTALLATION EXAMPLES

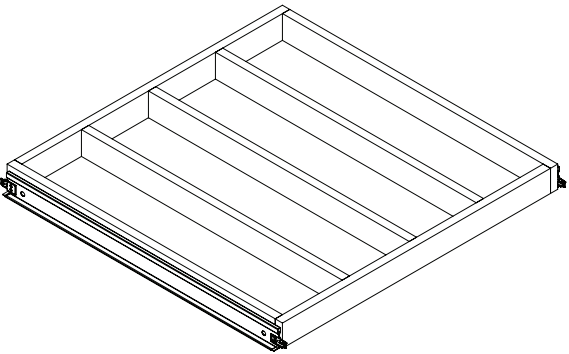
15/16" Flush Reveal Edge Lay-in



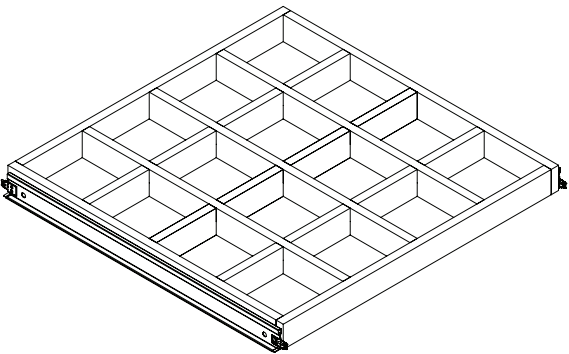
**Four Square Pattern (OF)
12" x 12" Cells**



**Linear Pattern (OL)
6" x 24" Cells**



**Multi-Square Pattern (OM)
6" x 6" Cells**



PHYSICAL DATA

MATERIAL

Fire-retardant composite wood or solid wood

WEIGHT

0.65 - 2.2 lbs./sq. ft. (typical system weight)
Varies by Configuration and Material

FIRE CLASS

Veneered Products:
ASTM E84 (Class A) and CAN/ULC-S102
Flame Spread: 25 or less
Smoke Developed: 450 or less

Solid Wood Products:
ASTM E84 (Class C) and CAN/ULC-S102
Flame Spread: 200 or less
Smoke Developed: 450 or less

Class A Fire-retardant coatings and treatments are available for solid wood components.

SEISMIC INSTALLATION

See installation details for seismic area installation information. Per IBC the maximum system weight for ceilings installed with Acoustical Suspension Systems in Seismic Design Categories C, D, E, and F is 4.0 lbs./sq. ft. when referencing ICC-ES ESR-3336. System weights greater than 4.0 lbs./sq. ft. may require local Professional Engineering services.

APPLICATION CONSIDERATIONS

Wood panels must be acclimatized for 72 hours prior to installation. Maintain relative humidity between 25% and 55% and temperature between 50°F and 86°F (10°C and 30°C) for the life of the product.

Wood is a natural material with varying grain and color characteristics. Characteristics may vary from panel to panel. For a more uniform appearance, consider reconstituted veneer options.

VISUAL CONSIDERATIONS

Surface Finish: clear or tinted topcoat with 20% sheen

WARRANTY

Full warranty information can be found at certainteed.com/warranty



CertainTeed ARCHITECTURAL

METAL • WOOD • FELT • FIBERGLASS & MINERAL FIBER • GYPSUM • SUSPENSION & INTEGRATED SYSTEMS
20 Moores Road, Malvern, PA 19355 800-387-3809 Technical Sales 216-228-6650 Project Support certainteed.com/architectural