



Twin Cities Orthopedics Performance Center, Eagan, MN / Photo: © Bob Perzel

The High Profile Series™ Straight Baffle ceiling system offers easy ceiling access and versatile, customizable designs for interior commercial applications.

FEATURES AND BENEFITS

- Aero Profile: – 1-5/8" x 6-3/8"
- Sweep Profile: – 1-3/4" x 6-3/8"
- Beam Profile: – 1-1/2" x 4-3/8" – 2" x 4" – 4" x 4"
 – 1-1/2" x 6-3/8" – 2" x 6"
 – 1-1/2" x 8-3/8" – 2" x 8"
 – 1-1/2" x 10"
 – 1-1/2" x 12"
 Note: Client specific shapes and finishes available
- Beam - Open: – 4" x 4"
- Taper: – 1-1/2" x 8"
- Crescent: – 4" x 6-3/8"
- Extruded aluminum profiles with exacting fit and finish
- Seamless baffles up to 20 feet in length
- Unistrut® support system
- Baffles can be collapsible along Unistrut® for easy accessibility
- Client-specific suspension systems
- Patented locking mechanism

ATTRIBUTES



FIRE RATING:
CLASS A
PER ASTM E84
AND CAN/ULC-S102



SEISMIC RATING:
ZONES A, B, C, D, E, F



CUSTOMIZATION
AVAILABLE

LEED® v4

RECYCLED CONTENT up to 50%

- ✓ MR: Building Product Disclosure
- ✓ EQ: Low-Emitting Materials
- ✓ EQ: Indoor Air Quality Assessment

LEED® is a registered trademark of the U.S. Green Building Council.

CERTIFICATIONS



GREENGUARD:
GOLD CERTIFIED



EPD AVAILABLE

HIGH PROFILES SERIES™ - STRAIGHT

COLORS AND FINISHES

A wide choice of colors and finishes as well as custom color matching are available upon request. See website for the most up to date information and to order samples. Colors are for illustration purposes only.

STANDARD PAINT COLORS

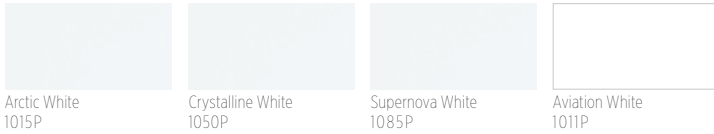


CUSTOM COLORS



WHITE FINISH OPTIONS

Powder-coat paint finish for Arctic White #1015P (Gloss 10-20); Crystalline White #1050P (Gloss 45-55); Supernova White #1085P (Gloss 80-90). Aviation White #1011P: Powder-coat paint finish offering - LRV 90 - 9% gloss finish.



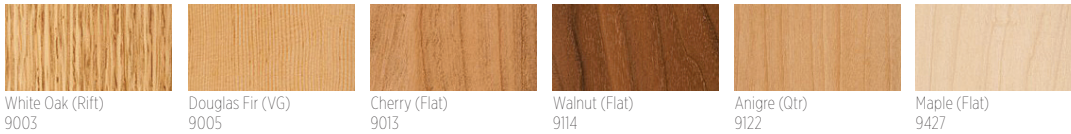
BLACK FINISH OPTIONS

Powder-coat paint finish for Starless Black #5000P (Matte); Raven Black #5030P (Gloss 25-35); Sable Black #5060P (Gloss 65-75); Wet Glass Black #5095P (Gloss 90-95)



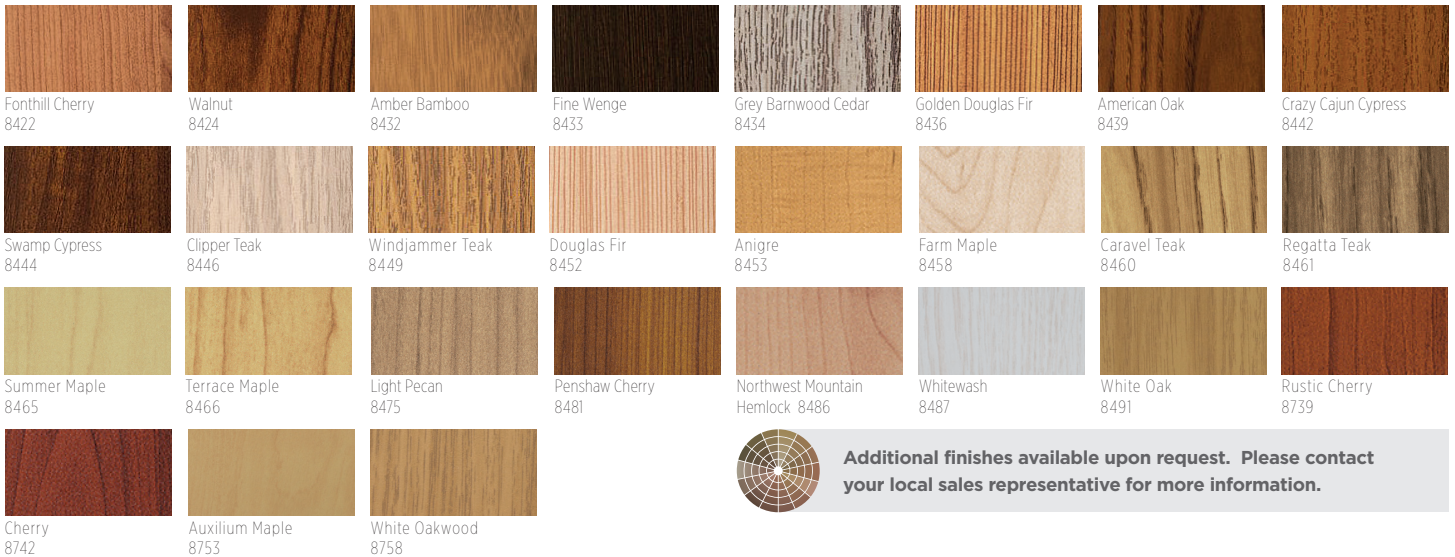
STANDARD WOOD VENEER OPTIONS

Real wood veneer (interior only). Formaldehyde-free, Class A composite panel.
Note: This is a small subset of veneers available. Please contact manufacturer for client-specific species and stains.



DECORATED (POWDER-COAT) WOOD-LOOK OPTIONS

Powder-coat paint finish (interior and exterior). Formaldehyde-free, Class A composite panel.
This finish is recommended for exterior conditions.



Additional finishes available upon request. Please contact your local sales representative for more information.

HIGH PROFILES SERIES™ - STRAIGHT

DECORATED (POWDER-COAT) MASONRY OPTIONS

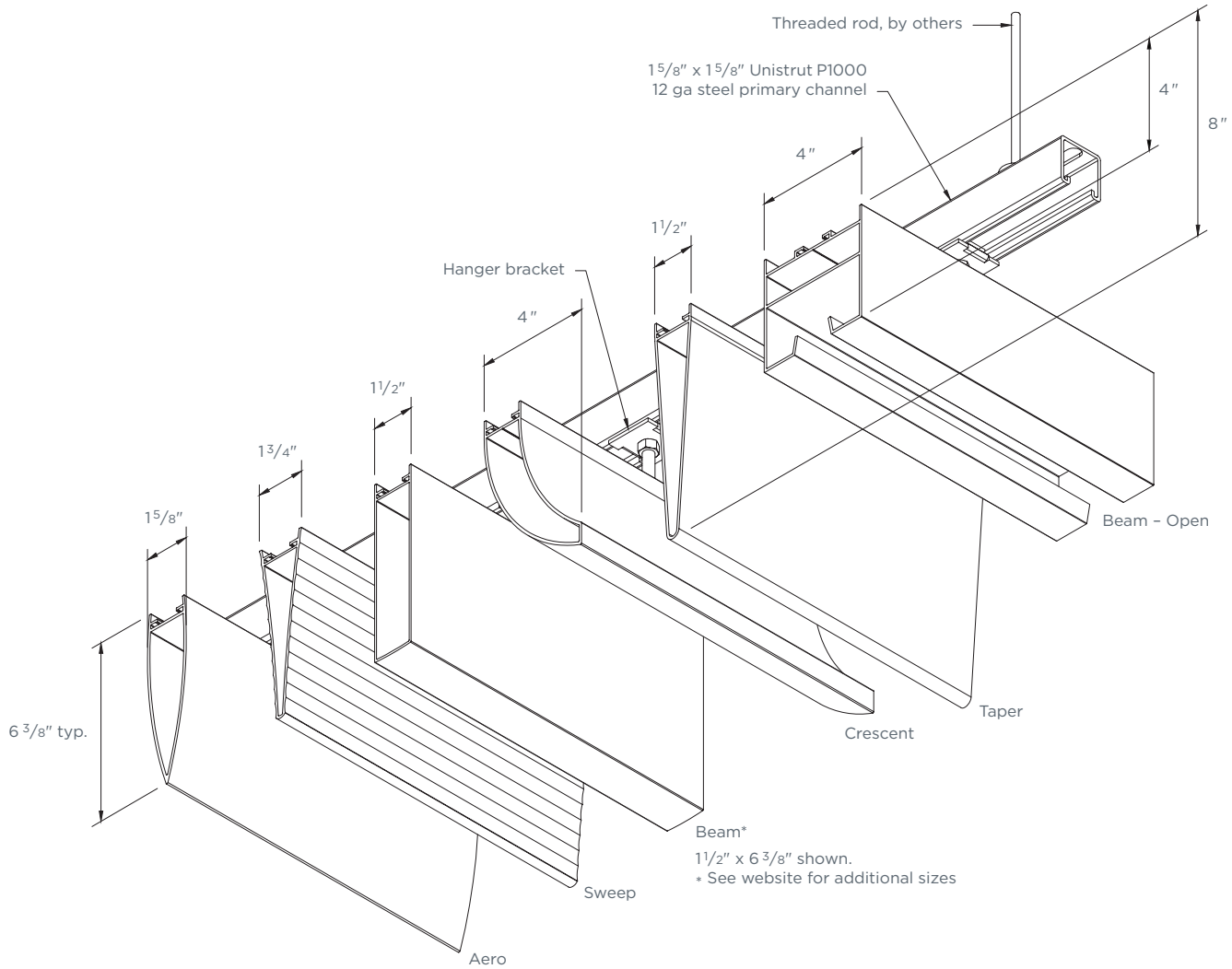
Powder-coat paint finish (interior and exterior). Formaldehyde-free, Class A composite panel. This finish is recommended for exterior conditions.




INSTALLATION EXAMPLES

Typical Isometrics

Standard profiles shown for illustrative purposes only.
Client-specific profiles available - contact manufacturer



 Additional options available for design flexibility, contact your local sales representative to get started.



Mercedes Benz Financial Services Operations Center, Fort Worth, TX / Photo: © Wade Griffith

PHYSICAL DATA

MATERIAL

Aluminum

WEIGHT

Varies 2.0 - 4.0 lbs./sq.ft.

FIRE RATING

Class A Fire Rated per ASTM E84

- Painted or anodized metal: Flame spread: ≤ 25 ,
Smoke ≤ 50

- Wood veneer on metal: Flame spread: ≤ 25 , Smoke ≤ 55
(for interior applications)

Class A Fire Rated per CAN/ULC-S102

- Painted or anodized metal: Flame spread: ≤ 25 ,
Smoke ≤ 50

SEISMIC RATING

Zones A,B,C,D,E,F

WIND LOAD

N/A

RECYCLED CONTENT

Up to 50%

LIGHT REFLECTANCE (LR) COEFFICIENT PER ASTM E1264 & ASTM E1477

- Cotton White: LR = 0.81

WARRANTY

1-year Limited Warranty.

Full warranty information can be found
at certainteed.com/warranty



CertainTeed ARCHITECTURAL

METAL • WOOD • FELT • FIBERGLASS & MINERAL FIBER • GYPSUM • SUSPENSION & INTEGRATED SYSTEMS
20 Moores Road, Malvern, PA 19355 800-366-4327 certainteed.com/architectural

© 06/22 CertainTeed, Printed in the USA, Code No. 12-11-330-US-EN

