

HIGH PROFILE SERIES™ – HORIZONTALLY CURVED

METAL CEILING & WALLS BEAMS & BAFFLES



Corporate Learning & Development Center, Fort Mill, SC / Photo: © Studio 66 LLC

The Horizontally Curved High Profile Series™ Baffle ceiling system offers versatile, customizable designs for interior commercial applications.

FEATURES AND BENEFITS

- Beam Sizes:
 - Aero Profile: 1-5/8" x 6-3/8"
 - Beam Profile: 1-1/2" x 4-3/8" 2" x 4" 4" x 4"
1-1/2" x 6-3/8" 2" x 6"
1-1/2" x 8-3/8" 2" x 8"
1-1/2" x 10"
1-1/2" x 12"
 - Beam - Open: 4" x 4"
- Extruded aluminum profiles with exacting fit and finish
- Minimum radius 48"
- Seamless baffles with arc lengths 4 to 20 feet
- Unistrut® support system
- Client-specific suspension systems
- Patented locking mechanism

ATTRIBUTES



FIRE RATING:
CLASS A
PER ASTM E84
AND CAN/ULC-S102



SEISMIC RATING:
ZONES A, B, C, D, E, F



**CUSTOMIZATION
AVAILABLE**

LEED® v4

RECYCLED CONTENT

up to 50%

- ✓ MR: Building Product Disclosure
- ✓ EQ: Low-Emitting Materials
- ✓ EQ: Indoor Air Quality Assessment

LEED® is a registered trademark of the
U.S. Green Building Council.

CERTIFICATIONS



**GREENGUARD:
GOLD CERTIFIED**



EPD AVAILABLE

HIGH PROFILES SERIES™ - HORIZONTALLY CURVED

COLORS AND FINISHES

A wide choice of colors and finishes as well as custom color matching are available upon request. See website for the most up to date information and to order samples. Colors are for illustration purposes only.

STANDARD PAINT COLORS

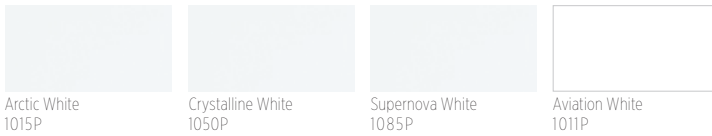


CUSTOM COLORS



WHITE FINISH OPTIONS

Powder-coat paint finish for Arctic White #1015P (Gloss 10-20); Crystalline White #1050P (Gloss 45-55); Supernova White #1085P (Gloss 80-90). Aviation White #1011P: Powder-coat paint finish offering - LRV 90 - 9% gloss finish.



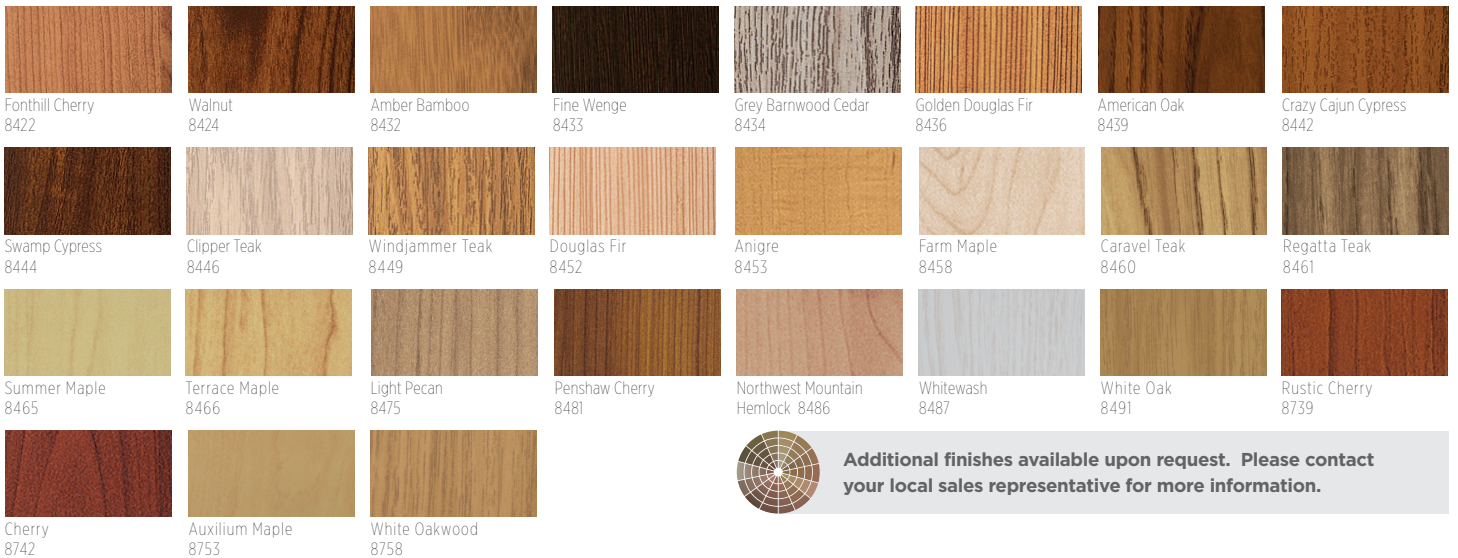
BLACK FINISH OPTIONS

Powder-coat paint finish for Starless Black #5000P (Matte); Raven Black #5030P (Gloss 25-35); Sable Black #5060P (Gloss 65-75); Wet Glass Black #5095P (Gloss 90-95)



DECORATED (POWDER-COAT) WOOD-LOOK OPTIONS

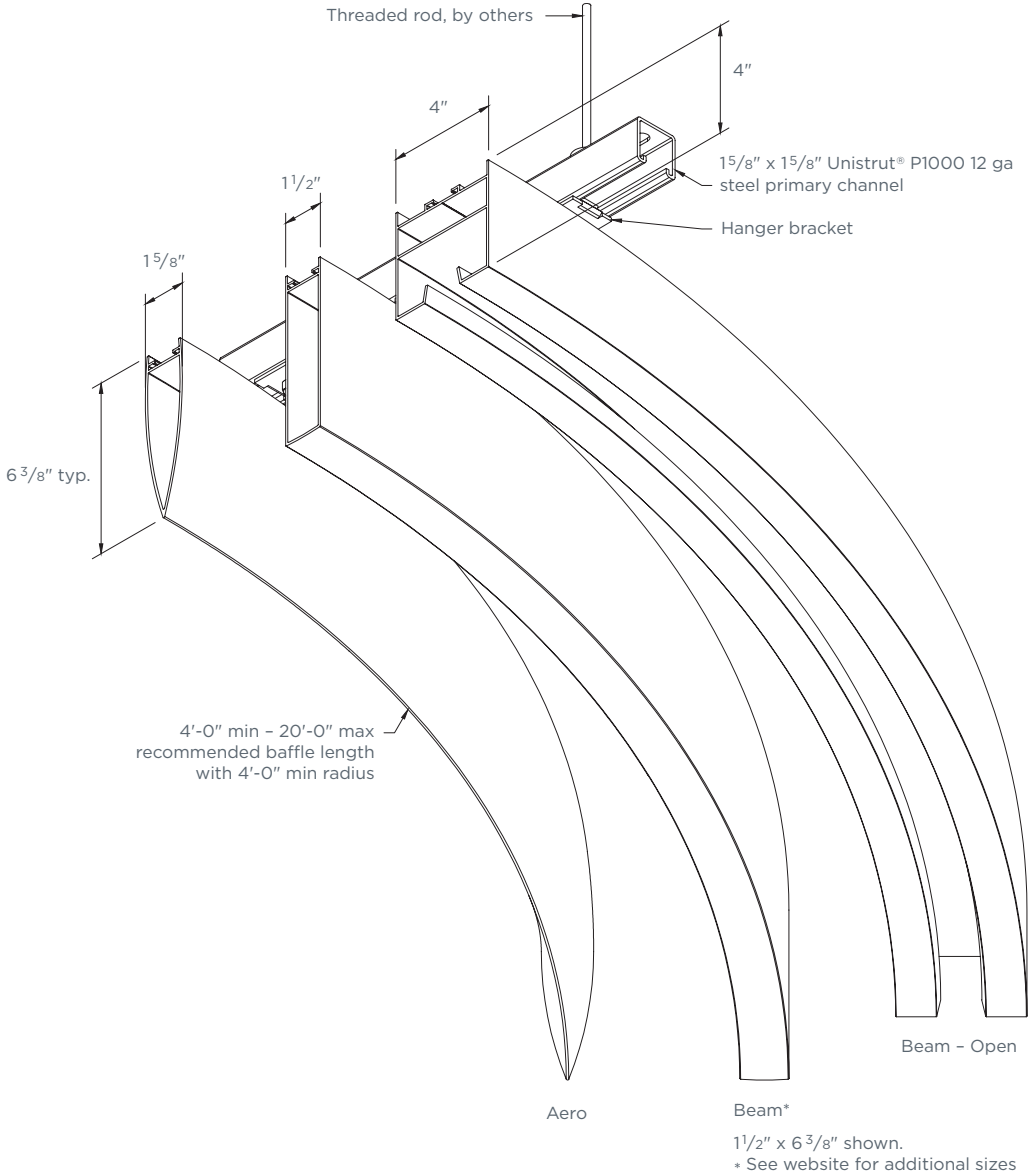
Powder-coat paint finish (interior and exterior). Formaldehyde-free, Class A composite panel. This finish is recommended for exterior conditions.




Additional finishes available upon request. Please contact your local sales representative for more information.

INSTALLATION EXAMPLES

Typical Isometrics



 Additional options available for design flexibility, contact your local sales representative to get started.



Accenture, Atlanta, GA / Photo: © Studio 66 LLC

PHYSICAL DATA

MATERIAL

Aluminum

WEIGHT

Varies 2.0 - 4.0 lbs./sq.ft.

FIRE RATING

Class A Fire Rated per ASTM E84
- Painted or anodized metal: Flame spread: ≤ 25,
Smoke ≤ 50
Class A Fire Rated per CAN/ULC-S102
- Painted or anodized metal: Flame spread: ≤ 25,
Smoke ≤ 50

SEISMIC RATING

Zones A,B,C,D,E,F

WIND LOAD

N/A

RECYCLED CONTENT

Up to 50%

**LIGHT REFLECTANCE (LR) COEFFICIENT
PER ASTM E1264 & ASTM E1477**

- Cotton White: LR = 0.81

WARRANTY

1-year Limited Warranty.
Full warranty information can be found
at certainteed.com/warranty



CertainTeed ARCHITECTURAL

METAL • WOOD • FELT • FIBERGLASS & MINERAL FIBER • GYPSUM • SUSPENSION & INTEGRATED SYSTEMS
20 Moores Road, Malvern, PA 19355 800-366-4327 certainteed.com/architectural

