



Target Center Entrance, Minneapolis, MN / Photo: © Bob Perzel

Designed to withstand wind loads, the Deep Box Linear metal ceiling system uses a universal carrier for design and install simplicity.

FEATURES AND BENEFITS

- Panel Sizes:
 - Panel module widths: 2", 4", 6", 8"
 - Panel lengths; 3' to 16'
 - Panel depths: 1-1/2" (Deep Box 2), 1" (Deep Box 4, 6, & 8)
- Square-edge design
- Waste reduction with factory fabricated dimensional material
- Downweight: reduce dead load with lightweight aluminum
- Interior and exterior applications
- Compatible with industry standard lighting, HVAC, speaker, fire safety, and security services

ATTRIBUTES



FIRE RATING:
CLASS A
PER ASTM E84
AND CAN/ULC-S102



SEISMIC RATING:
ZONES A, B, C, D, E, F



CUSTOMIZATION
AVAILABLE

LEED® v4

RECYCLED CONTENT

up to 92%

- ✓ EA: Optimize Energy Performance
- ✓ MR: Building Product Disclosure
- ✓ EQ: Low-Emitting Materials
- ✓ EQ: Indoor Air Quality Assessment
- ✓ EQ: Daylight

LEED® is a registered trademark of the U.S. Green Building Council.

CERTIFICATIONS



GREENGUARD:
GOLD CERTIFIED



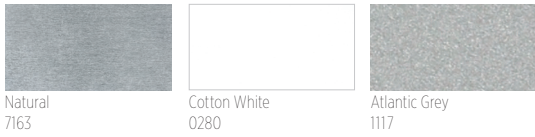
EPD AVAILABLE

DEEP BOX SERIES - EXTERIOR

COLORS AND FINISHES

A wide choice of colors and finishes as well as custom color matching are available upon request. See website for the most up to date information and to order samples. Colors are for illustration purposes only.

STANDARD PAINT COLORS

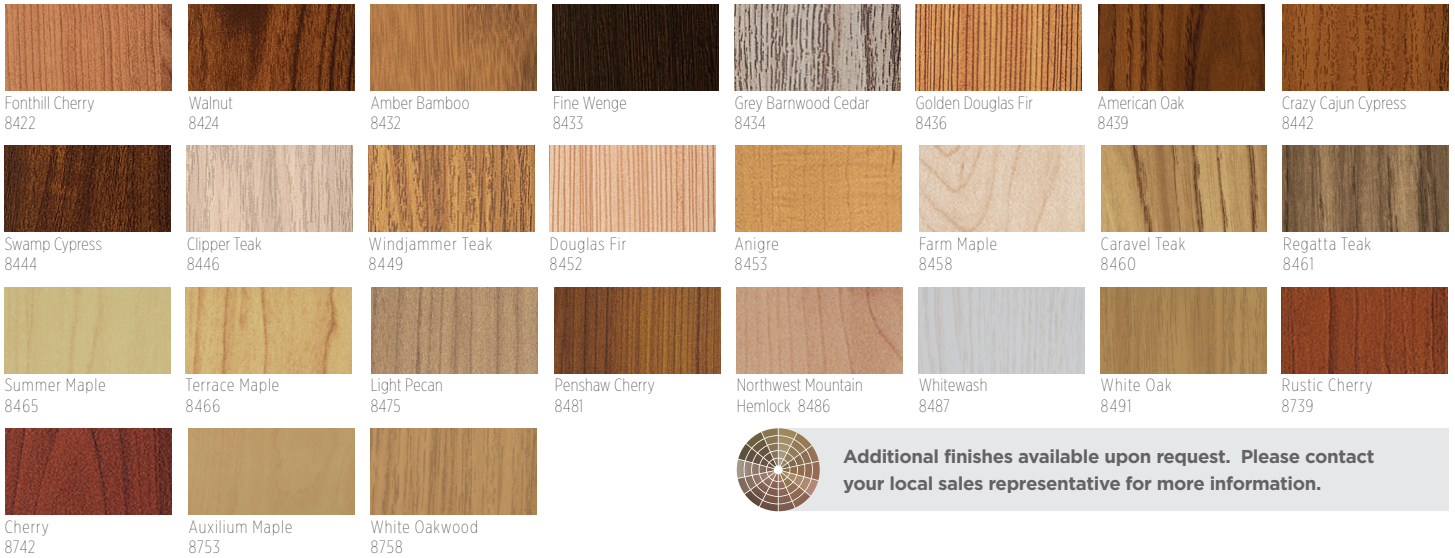


CUSTOM COLORS



DECORATED (POWDER-COAT) WOOD-LOOK OPTIONS

Powder-coat paint finish (interior and exterior). Formaldehyde-free, Class A composite panel. This finish is recommended for exterior conditions.

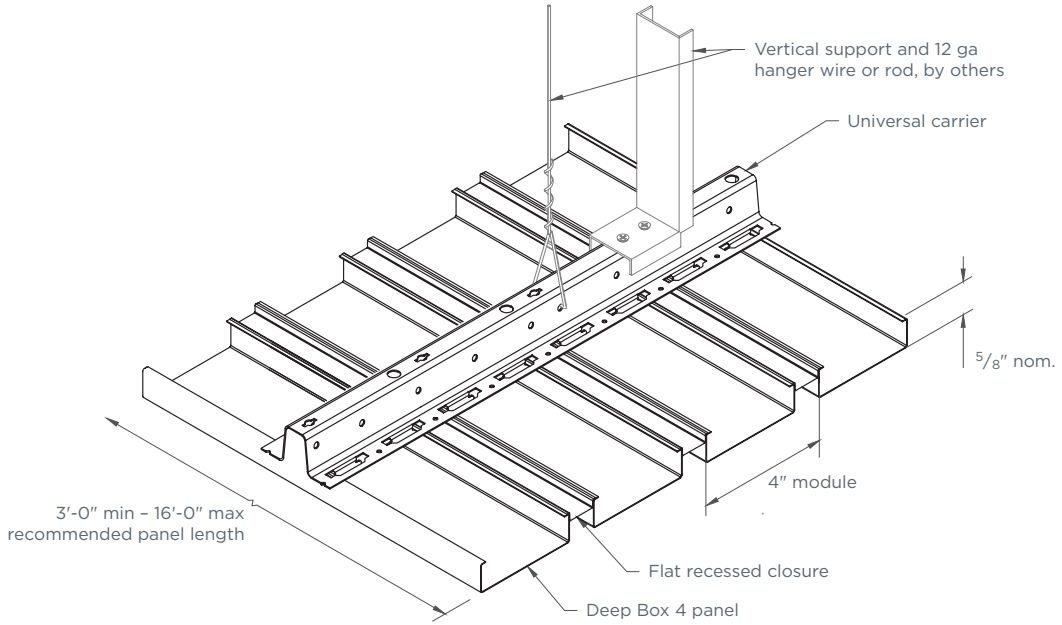


Additional finishes available upon request. Please contact your local sales representative for more information.

INSTALLATION EXAMPLES

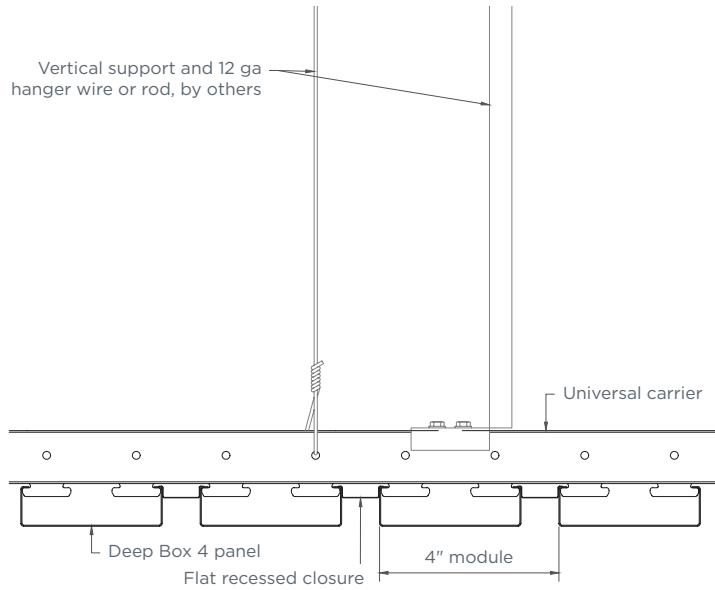
Typical Isometrics


Deep Box 4 shown for illustrative purposes only, all sizes similar.



Typical Sections

Deep Box 4 shown for illustrative purposes only, all sizes similar.



 **Additional options available for design flexibility, contact your local sales representative to get started.**



Desert Sky Transit Center, Phoenix, AZ / Photo: © Taube Photography

PHYSICAL DATA

MATERIAL

Aluminum

WEIGHT

Varies 0.5 - 1.0 lbs./sq.ft.

FIRE RATING

Class A Fire Rated per ASTM E84

- Painted or anodized metal: Flame spread: ≤ 25 ,
Smoke ≤ 50

Class A Fire Rated per CAN/ULC-S102

- Painted or anodized metal: Flame spread: ≤ 25 ,
Smoke ≤ 50

SEISMIC RATING

Zones A,B,C,D,E,F

WIND LOAD

Per code

RECYCLED CONTENT

Up to 92%

LIGHT REFLECTANCE (LR) COEFFICIENT

PER ASTM E1264 & ASTM E1477

- Varies with finish
- Cotton White: LR = 0.81

WARRANTY

1-year Limited Warranty.

Full warranty information can be found
at certainteed.com/warranty



CertainTeed ARCHITECTURAL

METAL • WOOD • FELT • FIBERGLASS & MINERAL FIBER • GYPSUM • SUSPENSION & INTEGRATED SYSTEMS
20 Moores Road, Malvern, PA 19355 800-366-4327 certainteed.com/architectural

© 06/22 CertainTeed, Printed in the USA, Code No. 12-11-345-US-EN

