

# GlasRoc<sup>®</sup>

Glass Mat High  
Performance  
Drywall Panels



# Dependability when it matters most

The walls you build are constructed with precision and hard work. The products you use need to bring that same level of performance. That's why we offer a full range of reliable drywall and finishing solutions that make installations faster and simpler, all while helping you keep pace with demand — no matter the size, complexity, or location of the project.

Our drywall solutions are manufactured with quality and consistency, and our products are readily available, no matter where you are in the country. Plus, our in-house technical support team is at the ready to help you through even the most demanding installations. We have your back, so you can easily stay on schedule, within budget, and keep your projects running smoothly.

## BIM/CAD INFORMATION

The BIM and CAD UL fire rated assemblies and sound assemblies can be found on CertainTeed's BIM and CAD Design Studio at [bimlibrary.saint-gobain.com/certainteed](http://bimlibrary.saint-gobain.com/certainteed). CertainTeed's BIM and CAD Design Studio provides BIM and CAD details to many UL fire rated assemblies and sound assemblies in an easy to view experience. Plus, downloadable Revit and DWG and PDF CAD Details are available.

## SUSTAINABILITY

Can contribute to the U.S. Green Building Council's LEED Credit Qualification in several credit categories to assist in obtaining LEED certification. Sustainable documentation, including recycled content, EPDs, HPDs, VOC Certifications, can be found at [saintgobain.ecomedes.com](http://saintgobain.ecomedes.com).



# GlasRoc® – Glass Mat High Performance Drywall Panels

GlasRoc® Range of Products .....	4 ▶
GlasRoc® Sheathing.....	5 ▶
GlasRoc® Tile Backer.....	9 ▶
GlasRoc® Interior .....	12 ▶
GlasRoc® Shaftliner for Area Separation Firewalls.....	15 ▶
GlasRoc® Shaftliner for Shaftwalls.....	17 ▶
Sustainable Building .....	19 ▶
Professional Resources.....	20-21 ▶



# The GlasRoc® range of products

**Inside and out, the first order of GlasRoc business is defense—whether that’s guarding against the exterior environment or resisting interior moisture and high humidity. The GlasRoc range of products helps enhance occupant well-being in the places where we live, learn, work, and heal.**

High performance engineering results in durable panels that welcome demanding tasks. GlasRoc’s glass-mat face and back surfaces are inherently mold- and moisture-resistant: their paper-free design is simply not a food source for mold. What is a food source for mold? The paper facings and backings you’ll find on other drywall panels.

Every GlasRoc product is GREENGUARD® Gold certified. This means each exceeds industry standards for low chemical emissions. Low VOCs translate to healthier worksites and long-term comfort.

Every GlasRoc drywall panel is designed and manufactured to handle whatever the environment throws at it: from exterior Sheathing and fire- and moisture-resistant Shaftliner to superior finishing Interior drywall and water- and moisture-resistant Tile Backer. That’s trustworthy defense, inside and out.



## TECHNICAL REFERENCE

PRODUCT	FIRE-RESISTANCE	MOLD AND MOISTURE RESISTANCE	UL DESIGNATION	PRODUCT STANDARD	SUSTAINABILITY CERTIFICATIONS
Standard	ASTM E136	ASTM D3273	-	-	-
GlasRoc Sheathing	Non-Combustible	10 out of 10	GlasRoc	ASTM C1177	Yes
GlasRoc TileBacker	Non-Combustible	10 out of 10	GlasRoc	ASTM C1178	Yes
GlasRoc Interior	Non-Combustible	10 out of 10	GlasRoc	ASTM C1658	Yes
GlasRoc Shaftliner	Non-Combustible	10 out of 10	LGFCSL	ASTM C1658	Yes

# GlasRoc® Sheathing

GLASS MAT  
DRYWALL PANEL



Strong, lightweight, and flexible, GlasRoc® Sheathing allows for bending to curved surfaces.

GlasRoc Sheathing and GlasRoc Sheathing Type X are weather resistant drywall sheathing panels consisting of a non-combustible gypsum core and fiber glass face and back mats, designed to provide exceptional mold and moisture resistance for exterior sheathing and soffit applications.



# GlasRoc® Sheathing

## High-performance. Weather-resistant. Gypsum-based.

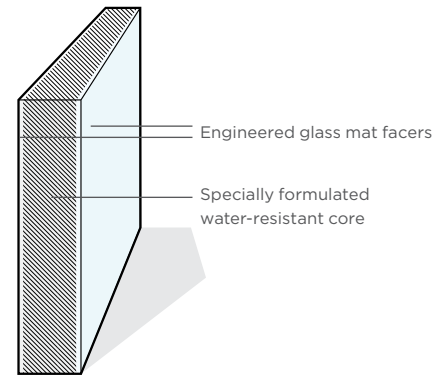
### DIMENSIONAL STABILITY, WEATHER PROTECTION, AND MOLD RESISTANCE

Easy to install, GlasRoc Sheathing is designed to provide superior freeze/thaw resistance and consistent homogenous water resistance. It can withstand up to 12 months of exposure to typical weather conditions such as UV, rain, wind, ice, and snow and will still maintain dimensional stability. Fiber glass face and back mats deliver built-in moisture- and mold-resistance to help protect the structure, ensuring safe and long-lasting builds. The superior water resistance does not impede vapor transmission.

An evolution from traditional wood boards, GlasRoc Sheathing requires no special tools or fasteners for installation. It's strong but also flexible enough to bend for curved surfaces.

### EXCELLENT FIRE PROTECTION

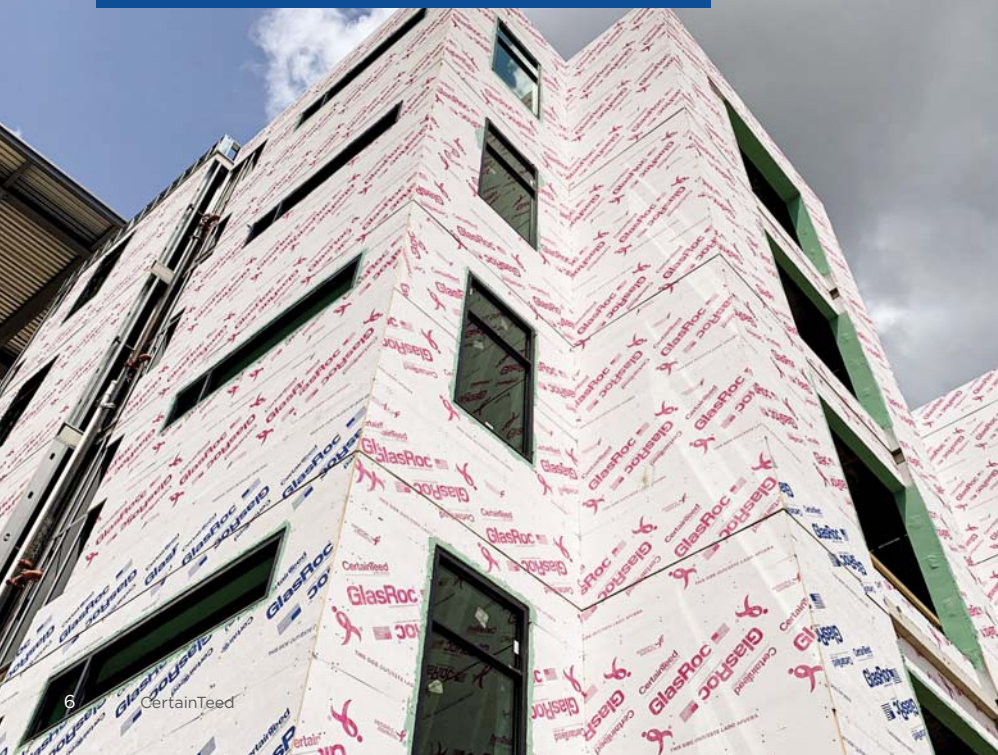
The engineered glass mat facers and non-combustible gypsum core provide superior fire performance to paper-faced sheathings. Available in 1/2" (12.7 mm) and 5/8" (15.9 mm) GlasRoc Sheathing Type X is UL/cUL/ULC classified for fire resistance.



### FEATURES

- Engineered glass mat facers provide superior water and UV resistance for long term exposure.
- Water-resistant surface does not inhibit water vapor permeance
- Flexibility to bend to curved surfaces
- Conformity to design and code requirements
- Compatibility with most exterior wall systems and applications
- UL/ULC type designation listed in fire-resistance directories (UL Type Designation: GlasRoc)
- 12-month protection to weather exposure
- 5-year limited warranty for product performance
- 12-year substrate limited warranty in architecturally-specified EIF Systems
- GREENGUARD® Gold certified
- 3rd party verified HPDs and EPDs

High-performance  
sheathing systems for  
multiple applications.



**FIRE AND ACOUSTICS MANUAL**

PRODUCT SPECIFICATIONS

PROPERTIES	1/2" (12.7 mm) GLASROC® SHEATHING	5/8" (15.9 mm) GLASROC® SHEATHING	TEST METHOD
Nominal Width	4' (1220 mm)	4' (1220 mm)	-
Standard Lengths	8' (2440 mm), 10' (3050 mm), 12' (3660 mm)	8' (2440 mm), 10' (3050 mm), 12' (3660 mm)	-
Face Surface	Glass Mat	Glass Mat	-
Weight - lb/ft² (kg/m²)	1.8 lb/ft² (8.8 kg/m²)	2.5 lb/ft² (12.1 kg/m²)	-
Edge Profile	Square	Square	-
Bending Radius - Dry, Lengthwise	6' (1829 mm)	8' (2439 mm)*	-
Surface Burning Characteristics - Flame Spread	0 (0)	0 (0)	ASTM E84 / UL 723 (CAN/ULC-S102)
Surface Burning Characteristics - Smoke Developed	0 (0)	0 (0)	ASTM E84 / UL 723 (CAN/ULC-S102)
Surface Burning Characteristics	Class A	Class A	ASTM E84 / UL 723 (CAN/ULC-S102)
Mold Resistance	10 out of 10	10 out of 10	ASTM D3273
Water Resistance	≤ 10%	≤ 10%	ASTM C473
Permeance - Perms (ng/Pa·s·m²)	> 26 (1500)	> 21 (1200)	ASTM E96
"R" Value - sq.ft.·h·°F/Btu (K·m²/W)	0.392 (0.069)	0.415 (0.073)	ASTM C518
Combustibility	Non-Combustible	Non-Combustible	ASTM E136 (CAN/ULC-S114)
Thermal Coefficient of Linear Expansion - in./in./°F (mm/mm/°C)	11.2 x 10-6 (20.2 x 10-6)	10.9 x 10-6 (19.7 x 10-6)	ASTM E228
Nail Pull	≥ 80 lbf (356 N)	≥ 90 lbf (400 N)	ASTM C473 (Method B)
Core Hardness - End	≥ 15 lbf (67 N)	≥ 15 lbf (67 N)	ASTM C473 (Method B)
Core Hardness - Edge	≥ 15 lbf (67 N)	≥ 15 lbf (67 N)	ASTM C473 (Method B)
Flexural Strength - Parallel	≥ 100 lbf (445 N)	≥ 80 lbf (356 N)	ASTM C473 (Method B)
Flexural Strength - Perpendicular	≥ 140 lbf (623 N)	≥ 100 lbf (445 N)	ASTM C473 (Method B)
Humidified Deflection	≤ 1/4" (6 mm)	≤ 1/8" (3 mm)	ASTM C473
Product Standard	ASTM C1177	ASTM C1177	-

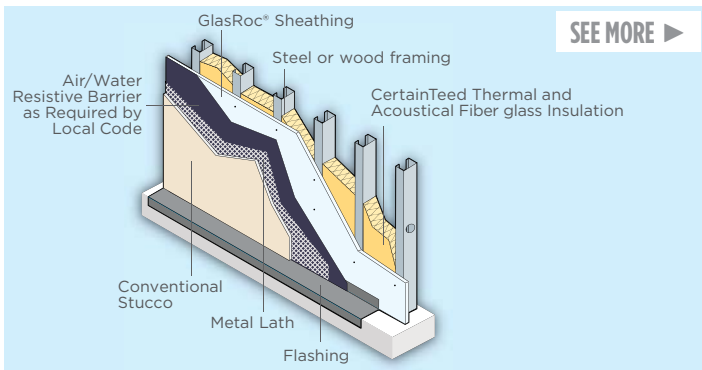


We support Susan G. Komen and its mission to save lives by meeting the most critical needs in our communities and investing in breakthrough research to prevent and cure breast cancer.



### EIFS AND ENERGY-EFFICIENT BUILDING ENVELOPES

GlasRoc Sheathing is designed to be a high-performance component of EIFS applications, which are engineered to provide improved energy efficiency and virtually unlimited design flexibility



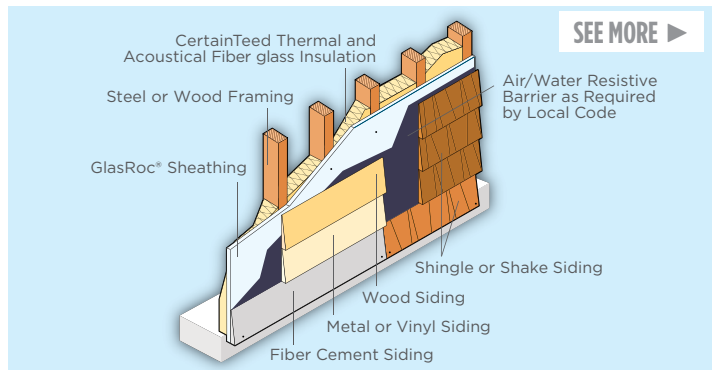
### CONVENTIONAL STUCCO

GlasRoc Sheathing offers physical properties comparable to competitive gypsum sheathing products, providing better structural support for conventional stucco systems.



### DRAINAGE AND AIRTIGHTNESS

When installed and sealed over exterior walls, GlasRoc Sheathing can significantly improve airtightness. This enhances comfort and also helps lower heating and cooling costs.



### EXTERIOR CLADDING

From shingles and shakes to natural stone and engineered siding, GlasRoc Sheathing is an excellent choice for any exterior cladding application.



### EXTERIOR ARCHES, EXTERIOR CONCAVE, AND CONVEX SURFACES

GlasRoc Sheathing is engineered for use in curved exterior drywall panel applications, so there's no need to score or moisten it.



### FLAT CEILING ENTRYWAYS, EXTERIOR CEILINGS, AND SOFFITS

GlasRoc Sheathing is ideal for exterior ceiling and soffit systems where weather-resistant performance is critical because it's designed and tested against the deteriorating effects of moisture and humidity.





# GlasRoc® Tile Backer

For greater convenience, GlasRoc® Tile Backer allows you to apply tile using thinset or mastic compounds.

GlasRoc Tile Backer, a superior tile substrate for walls and ceilings, is designed to meet the demands of wet and high-moisture areas such as bathrooms, laundries, utility rooms, and kitchens. GlasRoc Tile Backer is also suitable as an underlayment for countertops.

GlasRoc Tile Backer Type X provides the same moisture resistance, but has a specially formulated gypsum core for use in fire resistance rated designs.



# GlasRoc® Tile Backer has a moisture-resistant gypsum core ideal for wet and even non-wet applications.

## LOW VOCs, HIGH MOISTURE AND MOLD RESISTANCE

Perfectly suited for the kitchen, bath, and laundry, GlasRoc Tile Backer is also designed for any interior where humidity runs high. It also protects tile installations and wall cavities from moisture intrusion and excessive vapor transfer, eliminating the need for a separate moisture barrier.

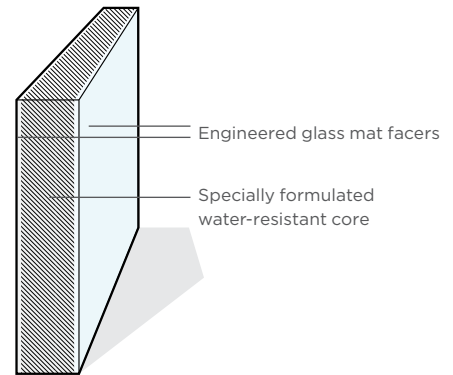
Glass-faced, paperless GlasRoc Tile Backer may be used for walls and ceilings, countertops, and as a wall backing for laminate-faced panels or fiber glass tub and shower units to provide impact, fire, and sound resistance. For even greater convenience, GlasRoc Tile Backer adheres using thinset or mastic compounds.

Available in 1/2" (12.7 mm) and 5/8" (15.9 mm) thicknesses, GlasRoc Tile Backer is up to 30 percent lighter in weight than conventional cement backer boards. It scores and cuts like a regular gypsum panel, installs easily, and offers reduced surface alkalinity versus conventional cement board.

Tested in accordance with ASTM D3273, GlasRoc Tile Backer exhibited no evidence of mold after a period of 28 days of exposure, gaining a rating of 10—the best rating possible.

## ENHANCED FIRE PROTECTION

GlasRoc Tile Backer Type X provides the identical moisture resistance but with a fire-resistant gypsum core for use in fire-resistant rated assemblies. Both options are available in a variety of sizes to meet various application requirements.



## FEATURES

- Does not require special procedures to comply with OSCA silica table 1 rules for safe cutting
- Achieves best possible score of 10 for mold resistance per ASTM D3273
- Reduced surface alkalinity versus conventional cement board
- Enhanced dimensional stability provides a flat, uniform substrate
- Handled and installed like paper-faced gypsum
- Up to 30% lighter weight than cement backer boards
- Meets ASTM C1178, which is recognized by the Tile Council of North America (TCNA)
- UL/ULC type designation listed in fire-resistance directories (UL Type designation: GlasRoc)
- Lifetime limited warranty for residential applications
- 20-Year limited warranty for commercial applications
- GREENGUARD® Gold certified.

FIRE AND ACOUSTICS MANUAL

INSTALLATION GUIDE



## PRODUCT SPECIFICATIONS

PHYSICAL PROPERTIES	1/2" (12.7 mm) GLASROC® TILE BACKER	5/8" (15.9 mm) GLASROC® TILE BACKER	TEST METHOD
Nominal Width	4' (1220 mm)	4' (1220 mm)	-
Standard Lengths	8' (2440 mm)	8' (2440 mm)	-
Face Surface	Glass Mat	Glass Mat	-
Weight - lb/ft² (kg/m²)	1.9 lb/ft² (9.28 kg/m²)	2.5 lb/ft² (12.21 kg/m²)	-
Edge Profile	Square	Square	-
Surface Burning Characteristics - Flame Spread	0 (0)	0 (0)	ASTM E84 / UL 723 (CAN/ULC-S102)
Surface Burning Characteristics - Smoke Developed	0 (0)	0 (0)	ASTM E84 / UL 723 (CAN/ULC-S102)
Surface Burning Characteristics	Class A	Class A	ASTM E84 / UL 723 (CAN/ULC-S102)
Mold Resistance	10 out of 10	10 out of 10	ASTM D3273
Water Resistance	≤ 5%	≤ 5%	ASTM C473
Surface Water Absorption	≤ 0.5 g	≤ 0.5 g	ASTM C474
Combustibility	Non-Combustible	Non-Combustible	ASTM E136 (CAN/ULC-S114)
Nail Pull	≥ 70 lbf (311 N)	≥ 90 lbf (400 N)	ASTM C473 (Method B)
Core Hardness - End	≥ 15 lbf (67 N)	≥ 15 lbf (67 N)	ASTM C473 (Method B)
Core Hardness - Edge	≥ 15 lbf (67 N)	≥ 15 lbf (67 N)	ASTM C473 (Method B)
Flexural Strength - Parallel	≥ 100 lbf (445 N)	≥ 80 lbf (356 N)	ASTM C473 (Method B)
Flexural Strength - Perpendicular	≥ 140 lbf (623 N)	≥ 100 lbf (445 N)	ASTM C473 (Method B)
Humidified Deflection	≤ 1/4" (6 mm)	≤ 1/8" (3 mm)	ASTM C473
Product Standard	ASTM C1178	ASTM C1178	-

GlasRoc® Tile Backer cuts like regular gypsum panels and is easy to handle and install.

# GlasRoc® Interior

GLASS MAT  
DRYWALL PANEL

GlasRoc® Interior can be used to benefit contractor's schedules where roofing, windows or doors have yet to be installed.

GlasRoc Interior drywall panels are easy to finish and offer superior mold and moisture resistance, providing a great solution for installation in pre-rock conditions. This innovation saves contractors working on commercial new construction or remodeling projects valuable time and resources.



# GlasRoc® Interior

## Cost-effective. Time-saving. Beautiful finisher.

### MOISTURE AND MOLD PERFORMANCE

GlasRoc Interior and GlasRoc Interior Type X are high-performance drywall panels designed to provide exceptional mold and moisture resistance for interior applications and exterior soffits. A non-combustible gypsum core is housed between fiber glass face and back mats for superior resistance to incidental moisture, as well as protection from exposure to indirect environmental elements.

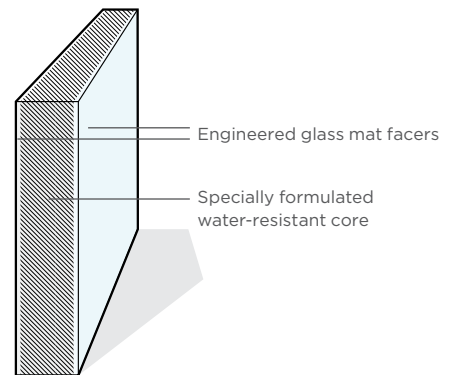
### PRE-ROCK CONDITIONS

GlasRoc Interior is designed for use in applications that require direct mechanical attachment to wood or metal framing or as a component of fire-rated assemblies. GlasRoc Interior scores, cuts and fastens easily, and has a specially coated front facer for irritation-resistant handling, making it ideal for sites where roofing, windows, or doors have yet to be installed. Being completely paperless allows GlasRoc Interior to be installed in pre-rock conditions or when the building hasn't dried in. It also offers a great fit around wall penetrations such as pipes and ducts.

### FIRE-RATED ASSEMBLIES

GlasRoc Interior Type X drywall panel is approved for use in one- and two-hour fire-resistance rated loadbearing and non-loadbearing interior steel and wood stud systems in several UL/cUL/ULC and GA-600 designs. GlasRoc Interior Type X is approved for use in one-hour fire-resistance rated floor-ceiling systems and roof-ceiling systems in numerous UL/cUL/ULC and GA-600 designs. In addition to classifications for Shaftwall and Area Separation Wall Systems, GlasRoc Interior Type X is a component of two-hour fire-resistance rating in steel beam and column configurations that conform to UL/cUL and GA-600 designs.

Compared to paper-faced drywall panels, GlasRoc Interior panels offer enhanced protection against the growth of surface mold and mildew. Its innovative, off-white face panel and tapered edges allow for superior indoor finishing and decorating results. When used in a certified sound-rated assembly, it will also contribute to required sound transmission class (STC) values.



### FEATURES

- Exceptional mold and moisture resistance, achieves best score of 10 per ASTM D3273
- Ideal for pre-rock conditions
- Handles, cuts, and installs like paper-faced gypsum
- UL/cUL/ULC type designation listed in fire-resistance directories (UL Type designation: GlasRoc)
- GREENGUARD® Gold certified.



PRODUCT SPECIFICATIONS

PHYSICAL PROPERTIES	1/2" (12.7 mm) GLASROC® INTERIOR	5/8" (15.9 mm) GLASROC® INTERIOR	TEST METHOD
Nominal Width	4' (1220 mm)	4' (1220 mm)	-
Standard Lengths	8', 10', 12' (2440, 3050, 3660 mm)	8', 10', 12' (2440, 3050, 3660 mm)	-
Face Surface	Glass Mat	Glass Mat	-
Weight - lb/ft² (kg/m²)	1.8 lb/ft² (8.8 kg/m²)	2.4 lb/ft² (11.7 kg/m²)	-
Edge Profile	Tapered	Tapered	-
Surface Burning Characteristics - Flame Spread	0 (0)	0 (0)	ASTM E84 / UL 723 (CAN/ULC-S102)
Surface Burning Characteristics - Smoke Developed	0 (0)	0 (0)	ASTM E84 / UL 723 (CAN/ULC-S102)
Surface Burning Characteristics	Class A	Class A	ASTM E84 / UL 723 (CAN/ULC-S102)
Mold Resistance	10 out of 10	10 out of 10	ASTM D3273
Water Resistance	≤ 5%	≤ 5%	ASTM C473
Combustibility	Non-Combustible	Non-Combustible	ASTM E136 (CAN/ULC-S114)
Nail Pull	≥ 80 lbf (356 N)	≥ 90 lbf (400 N)	ASTM C473 (Method B)
Core Hardness - End	≥ 15 lbf (67 N)	≥ 15 lbf (67 N)	ASTM C473 (Method B)
Core Hardness - Edge	≥ 15 lbf (67 N)	≥ 15 lbf (67 N)	ASTM C473 (Method B)
Flexural Strength - Parallel	≥ 100 lbf (445 N)	≥ 80 lbf (356 N)	ASTM C473 (Method B)
Flexural Strength - Perpendicular	≥ 140 lbf (623 N)	≥ 100 lbf (445 N)	ASTM C473 (Method B)
Humidified Deflection	≤ 5/16" (8 mm)	≤ 1/4" (6 mm)	ASTM C473
Product Standard	ASTM C1658	ASTM C1658	-

GlasRoc® Interior's off-white face panel and tapered edges allow for superior indoor finishing and decorating results.



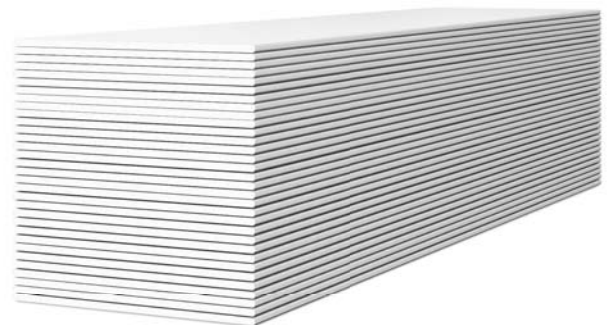
# GlasRoc® Shaftliner

FOR AREA  
SEPARATION  
FIREWALLS



GlasRoc® Shaftliner for Area Separation Firewalls offers the advantage of fire resistance and noise attenuation between adjoining housing units.

GlasRoc Shaftliner for Area Separation Firewalls is specifically designed and formulated for use in lightweight shaftwalls and firewall assemblies where enhanced moisture and mold resistance is desired. Combining reinforcing glass mats and double beveled edges for easy installation, GlasRoc Shaftliner is a 1" (25.4 mm) thick, paperless drywall panel that's specially formulated with a fire-resistant, noncombustible gypsum core.



# GlasRoc® Shaftliner for Area Separation Walls is an ideal solution for loadbearing and non-loadbearing firewalls.

## AREA SEPARATION FIREWALLS ASSEMBLIES

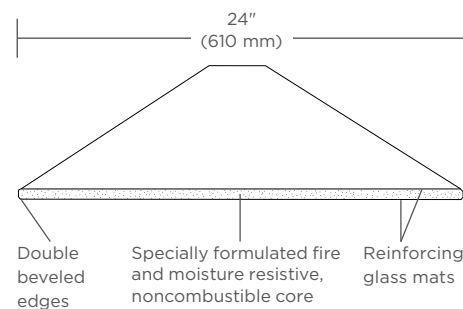
Use GlasRoc Shaftliner for Area Separation Firewalls in conjunction with CertainTeed drywall products. Area separation firewalls are separation walls assembled using 1" (25.4 mm) GlasRoc Shaftliner drywall panel, metal framing, and a 1/2" (12.7 mm) M2Tech® moisture and mold resistant drywall panel, CertainTeed® SilentFX® QuickCut™, or Easi-Lite® drywall panel for the interior finish. The firewall is easily stacked floor-to-floor for progressive construction. Area separation firewalls are easier and faster to construct, lighter weight, and take up less space than masonry wall systems. They can also be used in loadbearing and non-loadbearing applications.

Breakaway aluminum clips are used to attach the interior wall to adjacent structural metal framing and provide lateral support. When one side is exposed to fire, the clips yield from the heat and break away allowing the drywall panel interior wall on the fireside to collapse, keeping the area separation firewall intact to protect neighboring spaces. For non-loadbearing common walls in a single unit.

2 hour assemblies: UL U366 or ULC W311  
3 hour assembly: UL/cUL W467

## PRODUCT SPECIFICATIONS

PHYSICAL PROPERTIES	1" (25.4 mm) GLASROC® SHAFTLINER	TEST METHOD
Nominal Width	2' (1220 mm)	-
Standard Lengths	8' (2440 mm), 10' (3050 mm), 12' (3660 mm)	-
Face Surface	Glass Mat	-
Weight - lb/ft <sup>2</sup> (kg/m <sup>2</sup> )	4.0 lb/ft <sup>2</sup> (19.5 kg/m <sup>2</sup> )	-
Edge Profile	Double Bevel	-
Surface Burning Characteristics - Flame Spread	0 (0)	ASTM E84 / UL 723 (CAN/ULC-S102)
Surface Burning Characteristics - Smoke Developed	0 (0)	ASTM E84 / UL 723 (CAN/ULC-S102)
Surface Burning Characteristics	Class A	ASTM E84 / UL 723 (CAN/ULC-S102)
Mold Resistance	10 out of 10	ASTM D3273
Water Resistance	≤ 10%	ASTM C473
Combustibility	Non-Combustible	ASTM E136 (CAN/ULC-S114)
Core Hardness - End	≥ 15 lbf (67 N)	ASTM C473 (Method B)
Core Hardness - Edge	≥ 15 lbf (67 N)	ASTM C473 (Method B)
Flexural Strength - Parallel	≥ 80 lbf (356 N)	ASTM C473 (Method B)
Flexural Strength - Perpendicular	≥ 230 lbf (1023 N)	ASTM C473 (Method B)
Product Standard	ASTM C1658	-



## FEATURES

- Lightweight construction
- UL/cUL/ULC type designation listed in fire-resistance directories (UL Type designation: LGFCSL)
- Area separation firewall ratings up to three hours
- Economical and efficient installation
- Reduced wall thickness for greater floor area
- GREENGUARD® Gold Certified



# GlasRoc® Shaftliner

FOR SHAFTWALLS

GlasRoc® Shaftwall Systems are designed to withstand the intermittent surges of air pressure caused by fast moving elevator cabs.

Gypsum shaftwall systems have replaced traditional masonry for interior vertical enclosures like mechanical and elevator enclosures, stairwells, and other mechanical chases. GlasRoc Shaftliner is ideal for use in commercial shaftwall systems, delivering lightweight construction, thinner walls, easy installation and clean up, and cost-effective construction.



# GlasRoc® Shaftliner offers more protection and performance than standard shaftliners.

## 1, 2, 3, AND 4 HOUR FIRE RESISTANCE RATINGS AND DESIGNS

The walls of elevator shafts and stairwells are a vital safety link in multi-story buildings, preventing fire from entering the cavities behind them and spreading rapidly from floor to floor. Shaftwall Systems provide one- or two-hour fire resistance ratings in nonloadbearing configurations, and are designed to withstand the intermittent surges of air pressure caused by fast-moving elevator cabs.

1-3 hour assemblies: UL U417 or ULC W446

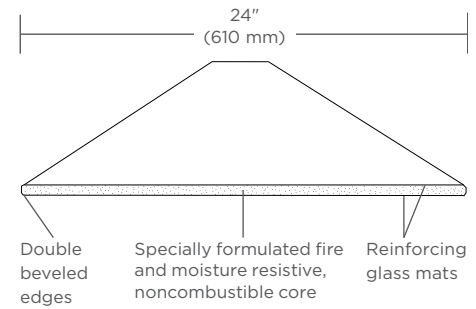
4 hour assembly: UL/cUL W471

## COST-EFFICIENT PROTECTION

GlasRoc Shaftwall assemblies save money with less weight per square foot than other shaft enclosures, reduced structural framing requirements, less heavily reinforced footings, and by eliminating the need to finish the shaft side of the partition.

## PRODUCT SPECIFICATIONS

PROPERTIES	1" (25.4 mm) GLASROC® SHAFTLINER	TEST METHOD
Nominal Width	2' (1220 mm)	-
Standard Lengths	8' (2440 mm), 10' (3050 mm), 12' (3660 mm)	-
Face Surface	Glass Mat	-
Weight - lb/ft <sup>2</sup> (kg/m <sup>2</sup> )	4.0 lb/ft <sup>2</sup> (19.5 kg/m <sup>2</sup> )	-
Edge Profile	Double Bevel	-
Surface Burning Characteristics - Flame Spread	0 (0)	ASTM E84 / UL 723 (CAN/ULC-S102)
Surface Burning Characteristics - Smoke Developed	0 (0)	ASTM E84 / UL 723 (CAN/ULC-S102)
Surface Burning Characteristics	Class A	ASTM E84 / UL 723 (CAN/ULC-S102)
Mold Resistance	10 out of 10	ASTM D3273
Water Resistance	≤ 10%	ASTM C473
Combustibility	Non-Combustible	ASTM E136 (CAN/ULC-S114)
Core Hardness - End	≥ 15 lbf (67 N)	ASTM C473 (Method B)
Core Hardness - Edge	≥ 15 lbf (67 N)	ASTM C473 (Method B)
Flexural Strength - Parallel	≥ 80 lbf (356 N)	ASTM C473 (Method B)
Flexural Strength - Perpendicular	≥ 230 lbf (1023 N)	ASTM C473 (Method B)
Product Standard	ASTM C1658	-



## FEATURES

- Cost efficient system due to less weight per square area versus traditional masonry.
- Double-beveled edges for easy installation
- Can be erected from a single side, reducing scaffolding requirements
- UL/cUL/ULC type designation listed in fire-resistance directories (UL Type designation: LGFCSL)
- GREENGUARD® Gold certified.

# Sustainable building products to make the world a better home.

## CertainTeed respects the environment through the responsible development of sustainable building products and systems.

The building industry continues to look for ways to reduce impact on the environment while meeting customer demand for products that deliver beauty, comfort and performance.

CertainTeed's commitment to these goals is reflected here, highlighting our ongoing effort to become the preeminent supplier of green building materials.

Awareness of the importance of acoustics in sustainable construction continues to grow, and this is evident with the inclusion of sustainability requirements in many building programs and codes.

### LEED v4.1

- IEQ Credit 9  
Acoustic Performance
- MR Credit: Building Product Disclosure and Optimization—Environmental Product Declarations. On many of our products, valued as 1.5 products with our Product-Specific Type II EPDs.
- MR Credit: Building Product Disclosure and Optimization—Materials Ingredients. On many of our products, valued as 1.5 products with our 3rd Party Verified HPDs.

### GREEN GUIDE FOR HEALTH CARE

- EQ Credit 9.1  
Acoustic Environment

### 2015 INTERNATIONAL GREEN CONSTRUCTION CODE (IGCC)

- Section 3.3  
Acoustical Control

### WEIL v1:

- #1 - Air: Air Quality Standards
- #4 - Air: VOC Reduction
- #11 - Air: Fundamental Material Safety
- #25 - Air: Toxic Material Reduction
- #26 - Air: Enhanced Material Safety
- #74 - Comfort: Exterior Noise Intrusion
- #81 - Comfort: Sound Barriers
- #97 - Mind: Material Transparency



REVIEW SYSTEMS PERFORMANCE INFORMATION TO SEE HOW CERTAINTEED PRODUCTS CAN HELP CONTRIBUTE TO THESE SUSTAINABLE PROGRAMS.

[VIEW ALL GREENGUARD® Gold Certifications](#)

[VIEW ALL EPDs](#)

[VIEW ALL HPDs](#)



The Health Product Declaration® logo is a trademark or service mark of Health Product Declaration Collaborative, Inc., in the United States and in other countries and is being used herein under license.

USGBC® and the related logo are trademarks owned by the U.S. Green Building Council® and are used with permission.



**CertainTeed provides innovative building products and systems for commercial, institutional and residential designs. With over 80 years of experience manufacturing and marketing in North America, CertainTeed Gypsum is committed to focusing on quality, service, and safety to provide a superior experience to its customers.**

#### **TEST STANDARDS**

Fire resistance and sound tests are conducted in accordance with ASTM E119 (UL 263, CAN/ULC-S101) and ASTM E90, respectively, and no warranty is made other than conformance to the standard under which the assembly was tested. Minor discrepancies may exist in the values of ratings, attributable to changes in materials and standards, as well as differences between testing facilities.

Assemblies are listed as “combustible” (wood framing) and “noncombustible” (concrete and/or steel construction).

#### **COMBUSTIBLE ASSEMBLIES**

These include all wood stud walls, wood joist or truss ceilings and floors consisting of tongue-and-groove, plywood, or OSB sub-flooring and finish flooring or a poured gypsum floor underlayment over wood structural panel sub-flooring. Floor assembly may be used over the wood joists with ceilings as detailed in GA and UL/cUL/ULC references.

#### **NONCOMBUSTIBLE ASSEMBLIES**

These include steel studs, bar joist ceilings with poured concrete floors over metal lath or steel. Also included are steel beams and steel columns. Ceilings for all 1-hour, 1 1/2-hour, and 2-hour noncombustible floor and

ceiling assemblies with 2” or 2 1/2” concrete floor or metal lath over steel bar joists, unless otherwise specified, may be directly attached or suspended as detailed in GA and UL/cUL/ULC references.

#### **FIRE RESISTANCE**

CertainTeed® Type X and Type C, M2Tech® Type X, SilentFX® QuickCut™ Type X, GlasRoc® Tile Backer Type X, GlasRoc® Shaftliner Type X, GlasRoc® Interior Type X and GlasRoc® Sheathing Type X products are Classified by Underwriters Laboratories Inc. and Listed by Underwriters Laboratories of Canada and carries the UL/cUL/ULC Label for 1-, 2-, 3- and 4-hour Fire Resistance in various designs. Underwriters Laboratories Inc. tests have proven that joint finishing is not required for the rating in certain assemblies using Type X and Type C



products. For fire resistance ratings, refer to the Gypsum Association Fire Resistance Design Manual GA-600, and the UL, cUL and ULC Fire Resistance Directories.

### **SURFACE BURNING CHARACTERISTICS**

CertainTeed® Gypsum Panels have Flame Spread ratings of 0 to 15 and Smoke Developed ratings of 0 to 5, and GlasRoc® products have Flame Spread Ratings of 0 and Smoke Developed Ratings of 0 in accordance with ASTM E84 (UL 723, CAN/ULC-S102).

### **SOUND CHARACTERISTICS**

The degree to which assemblies block the passage of sound is measured by Sound Transmission Class (STC) per ASTM E90 and E413, which is a single figure rating derived from the sound transmission loss values over a range of sound frequencies. All sound-rated

assemblies require acoustical sealant at assembly perimeters and penetrations, and other locations where sound leaks may develop. For sound characteristics, refer to the Gypsum Association Fire Resistance Design Manual GA-600.

### **STORAGE**

Gypsum panels must be stored in an area that protects it from adverse weather conditions, condensation and other forms of moisture and direct sunlight. Panels should be neatly stacked flat with care taken to prevent sagging or damage to edges, ends, and surfaces. Storing panels lengthwise leaning against the framing is not recommended. Panels should be carried, not dragged, to place of installation to prevent damaging finished edges. Refer to “Handling and Storage of Gypsum Panel Products” GA-801.

### **MORE INFORMATION**

Consult the Gypsum Association publication “Recommended Specifications for the Application and Finishing of Gypsum Panel,” GA-216, for detailed application and finishing procedures. For full details of fire and sound ratings, consult test references listed for system assemblies.

Characteristics, properties or performance of materials or systems manufactured by CertainTeed herein described are derived from data obtained under controlled test conditions. CertainTeed makes no warranties, express or implied, as to their characteristics, properties or performance under any variations from such conditions in actual construction. CertainTeed assumes no responsibility for the effects of structural movement.

™/® CertainTeed is a trademark CertainTeed Corporation. All other trademarks are the property of its affiliates and related companies. NOTICE: The information in this document is subject to change without notice. CertainTeed assumes no responsibility for any errors that may inadvertently appear in this document.

The GlasRoc® range of products is built to handle whatever the construction environment throws at it.  
 800-233-8990 • [gypsumtechnicalsupport@saint-gobain.com](mailto:gypsumtechnicalsupport@saint-gobain.com)

**CertainTeed**  
 SAINT-GOBAIN



explore the portfolio  
[glasroc.com](http://glasroc.com)

USGBC® and the related logo are trademarks owned by the U.S. Green Building Council® and are used with permission.



The Health Product Declaration® logo is a trademark or service mark of Health Product Declaration Collaborative, Inc., in the United States and in other countries and is being used herein under license.



**CertainTeed**

CEILING • DECKING • FENCE • GYPSUM • INSULATION • RAILING • ROOFING • SIDING • TRIM  
 20 Moores Road, Malvern, PA 19355 800-233-8990 [certainteed.com](http://certainteed.com)