



Target Center - Entrance, Minneapolis, MN / Photo: © Bob Perzel

The Deep Box Series linear metal ceiling system uses a universal carrier for simple design and installation.

## FEATURES AND BENEFITS

- Panel Sizes:
  - Panel module widths: 5.08 cm (2"), 10.16 cm (4"), 15.24 cm (6") and 20.32 cm (8")
  - Panel lengths: 0.91 m (3') to 4.88 m (16')
  - Panel depths: 2.54 cm (1") (Deep Box 4, 6 & 8); 3.81 cm (1-1/2") (Deep Box 2)
- Square-edge design
- Curved carrier application available
- Waste reduction with factory fabricated dimensional material
- Less weight: reduce dead load with lightweight aluminum
- Easy plenum access, typically using access doors
- Interior and exterior applications
- Compatible with industry standard lighting, HVAC, speaker, fire safety, and security services

## ATTRIBUTES



**FIRE RATING:**  
SMOKE DEVELOPED ≤ 50 AND  
FLAME SPREAD ≤ 25  
AS PER CAN/ULC S102



**SEISMIC RATING:**  
CLASSES A, B, C, D, E, F



**CUSTOMIZATION  
AVAILABLE**

## LEED® v4

RECYCLED CONTENT	up to 92%
------------------	-----------

- ✓ EA: Optimize Energy Performance
- ✓ MR: Building Product Disclosure
- ✓ EQ: Low-Emitting Materials
- ✓ EQ: Indoor Air Quality Assessment
- ✓ EQ: Daylight
- ✓ EQ: Acoustic Performance

LEED® is a registered trademark of the U.S. Green Building Council.

## CERTIFICATIONS



**GREENGUARD:  
GOLD CERTIFIED**



**EPD AVAILABLE**

**COLOURS AND FINISHES**

A wide choice of colours and finishes as well as custom colour matching are available upon request. See website for the most up to date information and to order samples. Colours are for illustration purposes only.

**STANDARD PAINT COLOURS**



**CUSTOM COLOURS**

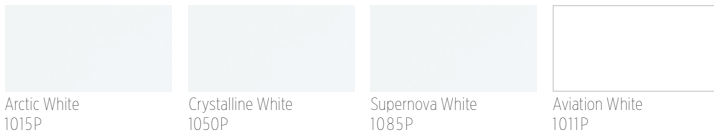


**STANDARD METALLIC**



**WHITE FINISH OPTIONS**

Powder-coat paint finish for Arctic White #1015P (Gloss 10-20); Crystalline White #1050P (Gloss 45-55); Supernova White #1085P (Gloss 80-90). Aviation White #1011P: Powder-coat paint finish offering - LRV 90 - 9% gloss finish.



**BLACK FINISH OPTIONS**

Powder-coat paint finish for Starless Black #5000P (Matte); Raven Black #5030P (Gloss 25-35); Sable Black #5060P (Gloss 65-75); Wet Glass Black #5095P (Gloss 90-95)



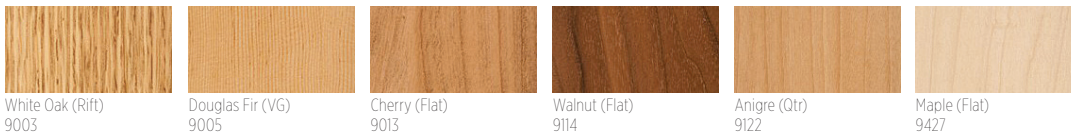
**ANODIZED FINISH OPTIONS**

Anodized aluminum class II finish for Aged Bronze #10008 (Matte); Britannia Pewter #1009



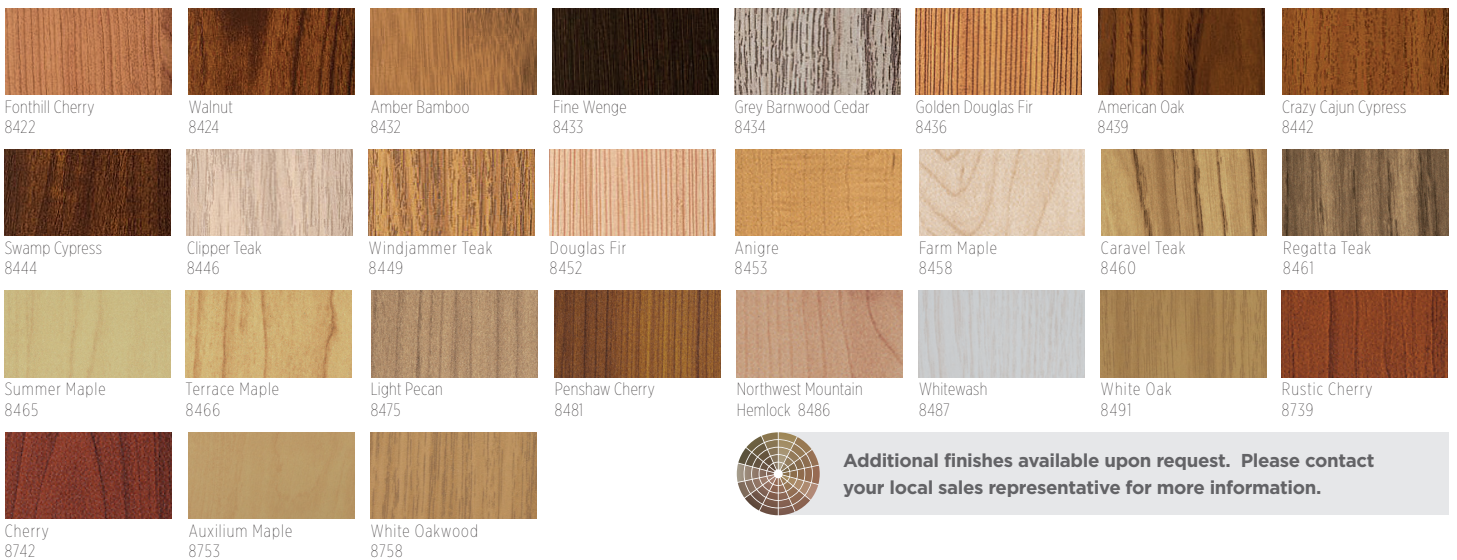
**STANDARD WOOD VENEER OPTIONS**

Real wood veneer (on interior, non-perforated panels only). Formaldehyde-free, Class A composite panel. Note: This is a small subset of veneers available. Please contact manufacturer for client-specific species and stains.



**DECORATED (POWDER-COAT) WOOD-LOOK OPTIONS**

Powder-coat paint finish (interior and exterior). Formaldehyde-free, Class A composite panel. This finish is recommended for exterior conditions.

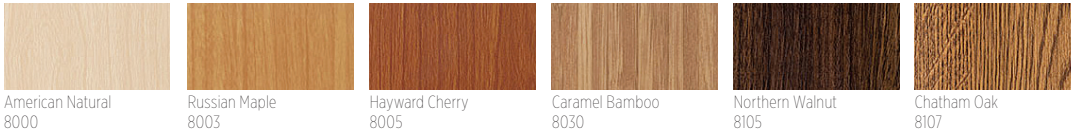


**Additional finishes available upon request. Please contact your local sales representative for more information.**

# DEEP BOX SERIES

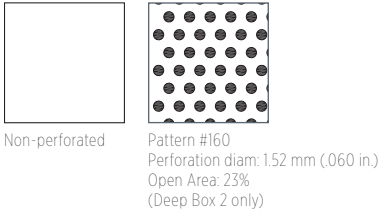
## LAMINATED (FILM) WOOD FINISHES

Film (on interior, non-perforated panels only). Formaldehyde-free, Class A composite panel. Minimums apply.



## PERFORATION PATTERNS

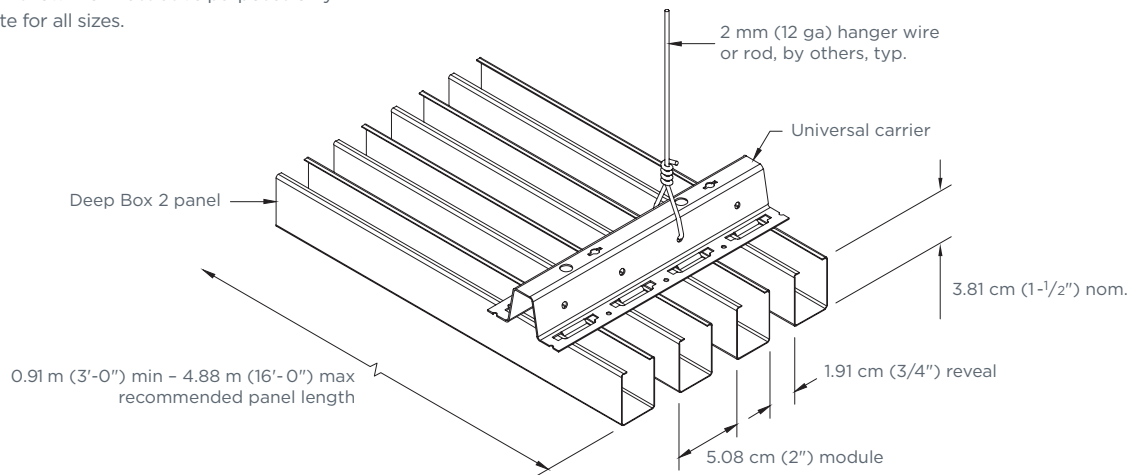
Standard patterns shown. Perforations not available on real wood veneer or laminated (film). Scale shown: 1:1, unless otherwise noted.



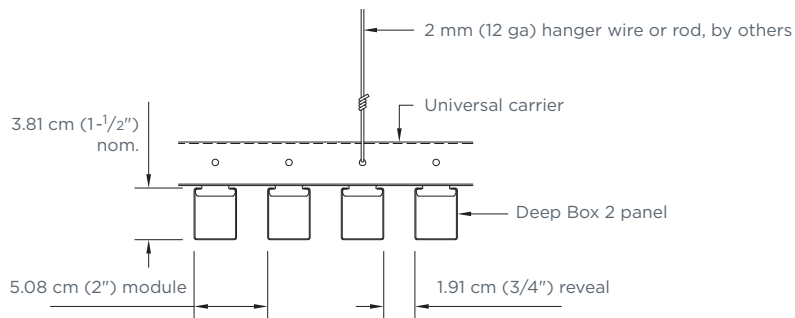
## INSTALLATION EXAMPLES

### Typical Isometrics

Deep Box 2 shown for illustrative purposes only. See website for all sizes.



### Typical Sections



Additional options available for design flexibility, contact your local sales representative to get started.



Mashouf Wellness Ctr, San Francisco Univ, San Francisco, CA / Photo: © Bob Perzel

## PHYSICAL DATA

### MATERIAL

Aluminum

### WEIGHT

Varies 4.88 - 7.81 kg/m<sup>2</sup> (1.0 - 1.6 lbs./sq.ft.)

### FIRE RATING

Rated per CAN/ULC-S102

- Painted or anodized metal: Flame spread: ≤ 25,  
Smoke ≤ 50

### SEISMIC RATING

Classes A,B,C,D,E,F

### WIND LOAD

Per code. (for exterior applications)

### RECYCLED CONTENT

Up to 92%

### LIGHT REFLECTANCE (LR) COEFFICIENT

PER ASTM E1264 & ASTM E1477

- Varies with finish
- Cotton White: LR = 0.81

### WARRANTY

1-year Limited Warranty.

Full warranty information can be found at [certainteed.com/warranty](http://certainteed.com/warranty)

## ACOUSTICAL PERFORMANCE

Sound absorption can be achieved by the addition of backing ceiling panels with acoustical fabric or pad.

PRODUCT	ACOUSTICAL INFILL	NRC
Deep Box 2, Perforation #160 (23% Open Area), open reveal	5.08 mm (2") Polywrapped acoustical pad	1.05
Deep Box 2, Perforation #160 (23% Open Area), with Box Flat Closure	5.08 mm (2") Polywrapped acoustical pad	1.00
Deep Box 2, Perforation #160 (23% Open Area), with Box Flat Closure	Nonwoven Acoustic & 2.54 mm (1") polywrapped acoustical pad	1.00
Deep Box 2, Perforation #160 (23% Open Area), with Box Flat Closure	2.54 mm (1") Polywrapped acoustical pad	0.95
Deep Box 2, Perforation #160 (23% Open Area), open reveal	2.54 mm (1") Polywrapped acoustical pad	0.95
Deep Box 2, Non-perforated, open reveal	5.08 mm (2") Polywrapped acoustical pad	0.90
Deep Box 2, Perforation #160 (23% Open Area), with Box Flat Closure	Nonwoven Acoustic	0.80
Deep Box 2, Non-perforated, open reveal	2.54 mm (1") Polywrapped acoustical pad	0.65
Deep Box 2, Perforation #160 (23% Open Area), open reveal	Nonwoven Acoustic	0.50

\* Acoustical tests performed in accordance with ASTM C423 and ASTM E795, in a type E400 mounting. Test reports available upon request.



## CertainTeed ARCHITECTURAL PRODUCTS

METAL • WOOD • FELT • FIBERGLASS & MINERAL FIBER • GYPSUM • SUSPENSION & INTEGRATED SYSTEMS  
2424 Lakeshore Rd. West, Mississauga, ON L5J 1K4 800-233-8990 [certainteed.ca/architectural](http://certainteed.ca/architectural)

