

# Ceiling Concealed Access Panel Product Specifications

Type:	Concealed Access Panel
Module:	Nominal Size (24" x 96")
Core:	3/4" Composite Wood
Veneer Species:	Veneer Wood Species
Finish:	Clear Topcoat, 20% sheen
Rating:	Class A per ASTM E84 (Composite Wood)
Mounting:	Concealed Access C-Hanger & Safety Chains Attached to CertainTeed 15/16" HD Suspension System
Accessories:	Acoustical Felt/Fleece (Optional)

## Product Detail Set Contents:

PD-01: Product Details and Basic Installation  
 A. Panel Section View  
 B. Panel Back View  
 C. Installation Diagram Isometric View

PD-10: Typical Suspension System Layout  
 A. Typical Suspension System Layout Isometric View

PD-11: Typical Installation Details  
 A. Perimeter Edge Detail - Parallel  
 B. Perimeter Edge Detail - Perpendicular  
 C. Installation Field Cut Diagram Isometric View

PD-12: Alternate Perimeter Options  
 A. Continuous Shadow Molding  
 B. Continuous Wall Angle  
 C. Floating Edge Detail - Parallel  
 D. Floating Edge Detail - Perpendicular

See PD-13, PD-14, PD-15: Panel Mounted Perimeter Trim Installation  
 See PD-16, PD-17, PD-18 for Suspension System Mounted Perimeter Trim

PD-13: Panel Mounted Perimeter Trim Installation  
 (see PD-16, PD-17, PD-18 for Suspension System Mounted Perimeter Trim)  
 A. Panel Mounted Perimeter Trim Detail - Parallel  
 B. Panel Mounted Perimeter Trim Detail - Perpendicular  
 C. Panel Mounted Trim Installation Back View

PD-14: Panel Mounted Perimeter Trim Installation  
 (see PD-16, PD-17, PD-18 for Suspension System Mounted Perimeter Trim)  
 A. Panel Mounted Perimeter Trim Installation Isometric Back View

PD-15: Panel Mounted Perimeter Trim Installation  
 (see PD-16, PD-17, PD-18 for Suspension System Mounted Perimeter Trim)  
 A. Panel Mounted Perimeter Trim Installation Isometric Face View


PD-16: Suspension System Mounted Perimeter Trim Installation  
 (see PD-13, PD-14, PD-15) for Panel Mounted Perimeter Trim)  
 A. Suspension System Mounted Perimeter Trim Detail - Parallel.  
 B. Suspension System Mounted Perimeter Trim Detail - Perpendicular.  
 C. Suspension System Mounted Trim Installation Back View

PD-17: Suspension System Mounted Perimeter Trim Installation  
 (see PD-13, PD-14, PD-15 for Panel Mounted Perimeter Trim)  
 A. Suspension System Mounted Perimeter Trim Installation Isometric Back View

PD-18: Suspension System Mounted Perimeter Trim Installation  
 (see PD-13, PD-14, PD-15 for Panel Mounted Perimeter Trim)  
 A. Suspension System Mounted Perimeter Trim Installation Isometric Face View


PD-19: Fixture Integration and Access Panels.  
 A. Enlarged Back View at Lighter.  
 B. Light Fixture Detail - Parallel.  
 C. Sprinkler Detail

PD-20: CISCA Tolerances, Product Notes, and Ordering Notes



CertainTeed Ceiling Corporation  
 20 Moores Road  
 Malvern, PA 19355  
 800-233-8990

---



The mark of responsible forestry  
FSC® C151918

Certificate Code:  
SCS-COC-006960

Only the products that are identified as such on this document are FSC® certified

ARCHITECT
CUSTOMER
REPRESENTATIVE

DATE									
REVISIONS									
#									

PROJECT TITLE

---

PROJECT LOCATION

---

SHEET REFERENCE  
5515U1 Concealed Access

---

PRODUCT  
Ceiling Concealed Access Panel

---

SHEET TITLE  
Concealed Access Panel  
5515U1 Product Detail Set

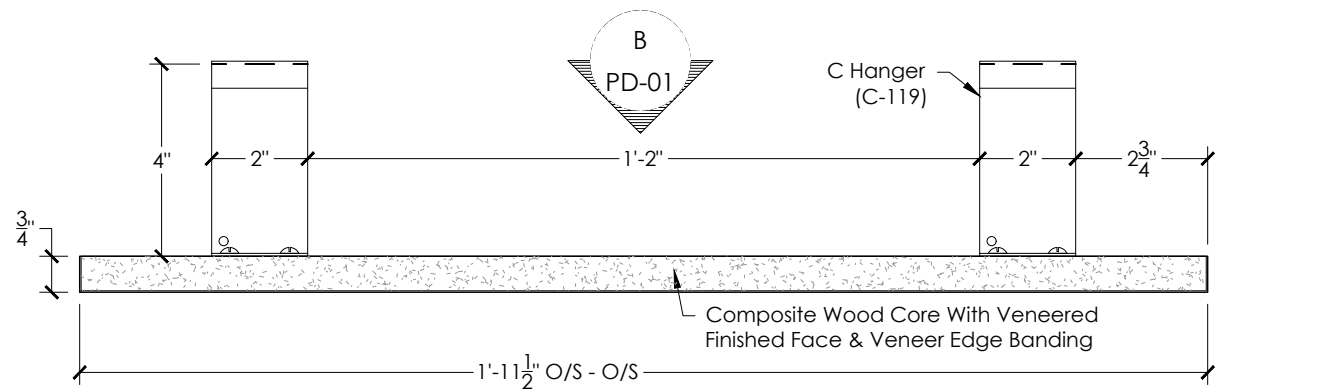
---

DATE 02/02/20	DRWN J.A.	CHECK Z.D.
------------------	--------------	---------------

---

SHEET NO.  
PD-00

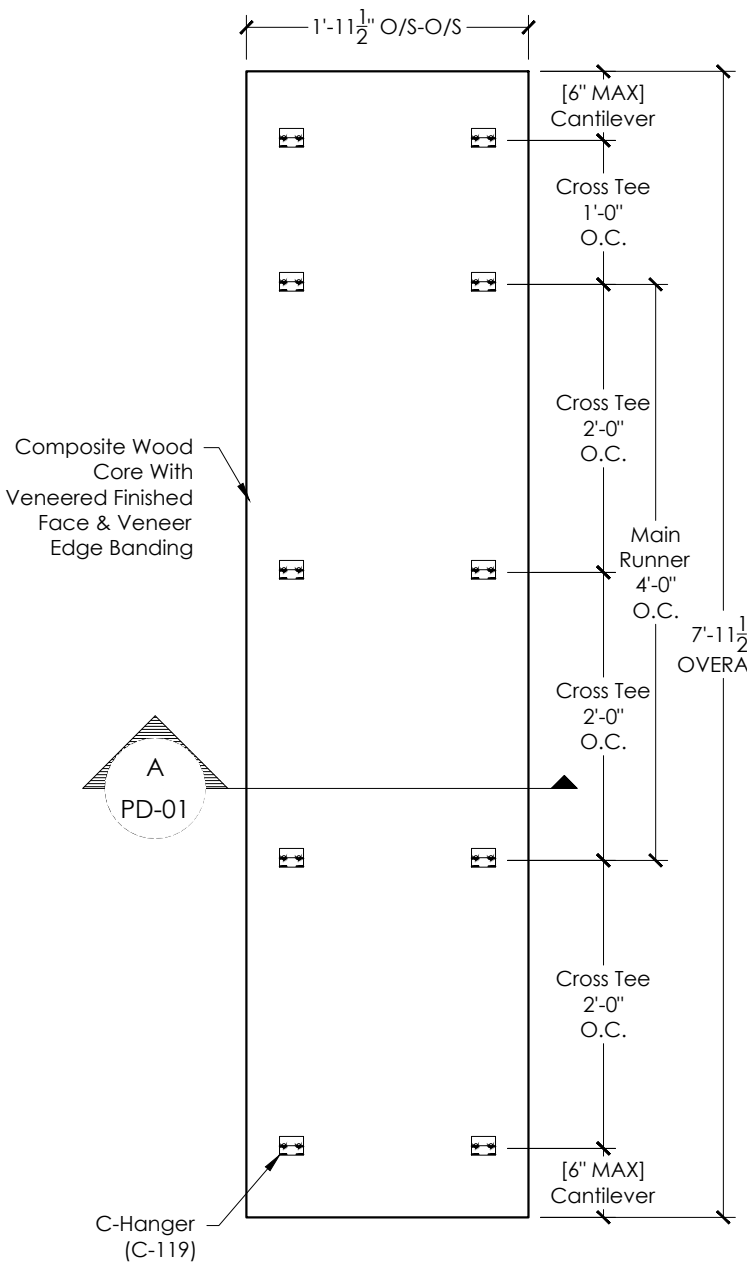
These drawings show typical conditions for installing the CertainTeed Ceilings product shown. They should not be construed as a substitute for an architectural or engineering design and do not reflect the unique requirements of local codes, laws, statutes or regulations that may be applicable for a specific installation. CertainTeed Ceilings assumes no liability for the accuracy or completeness of the drawings for a specific installation or the fitness of the drawings for a particular purpose. The user is advised to consult with local licenced design professionals in order to assure compliance with all legal requirements. CertainTeed Ceilings is not licenced to provide professional engineering or architectural services.



**A** 5515U1 Panel Section View

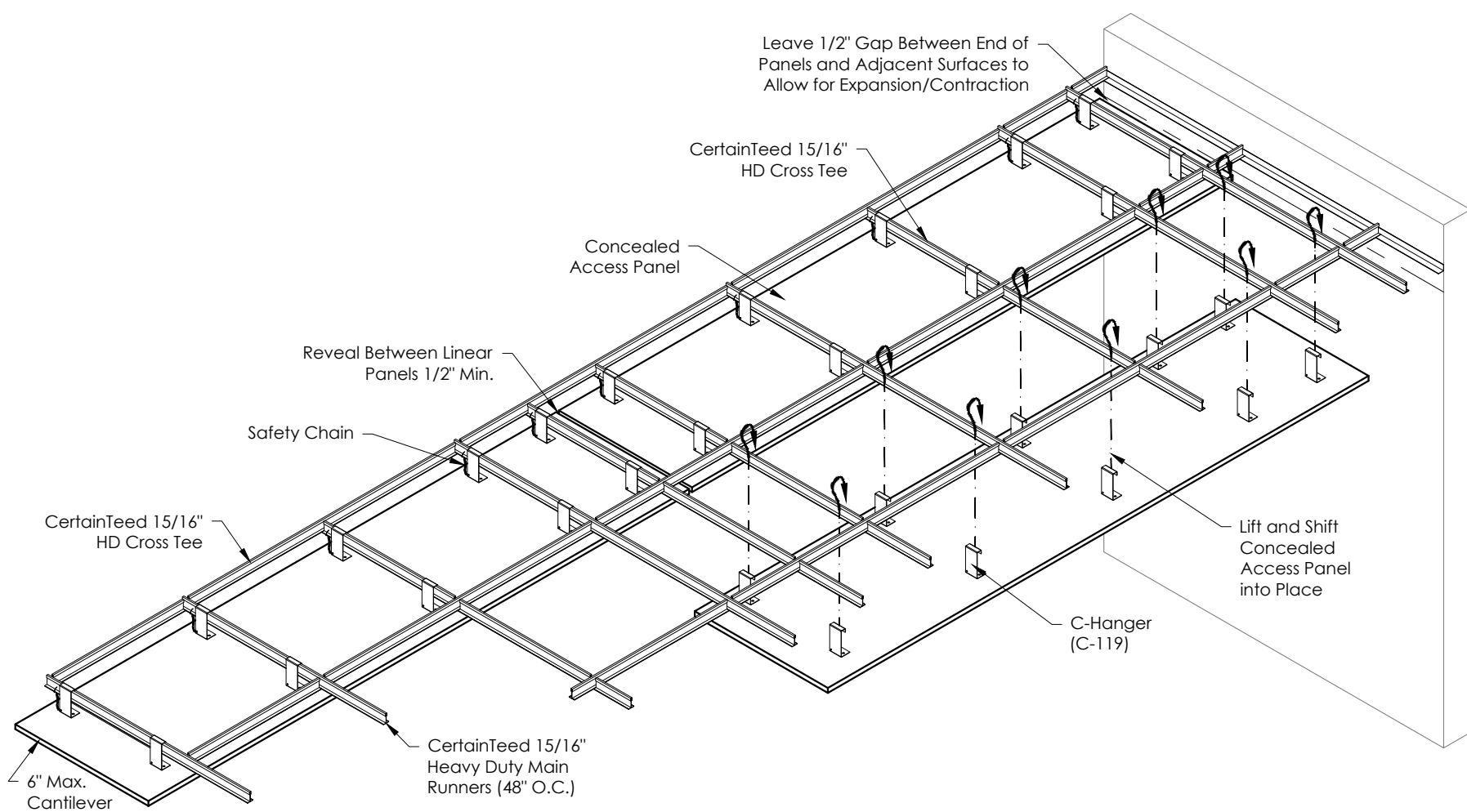
PD-01 Scale: 3"=1'-0"

Type: Concealed Access Panel  
 Module: Nominal Size (24" x 96")  
 Core: 3/4" Composite Wood  
 Veneer Species: Veneer Wood Species  
 Finish: Clear Topcoat, 20% sheen  
 Rating: Class A per ASTM E84 (Composite Wood)  
 Mounting: Concealed Access C-Hanger & Safety Chains Attached to CertainTeed 15/16" HD Suspension System  
 Accessories: Acoustical Felt/Fleece (Optional)



**B** 5515U1 Panel Back View

PD-01 Scale: 3/4"=1'-0"

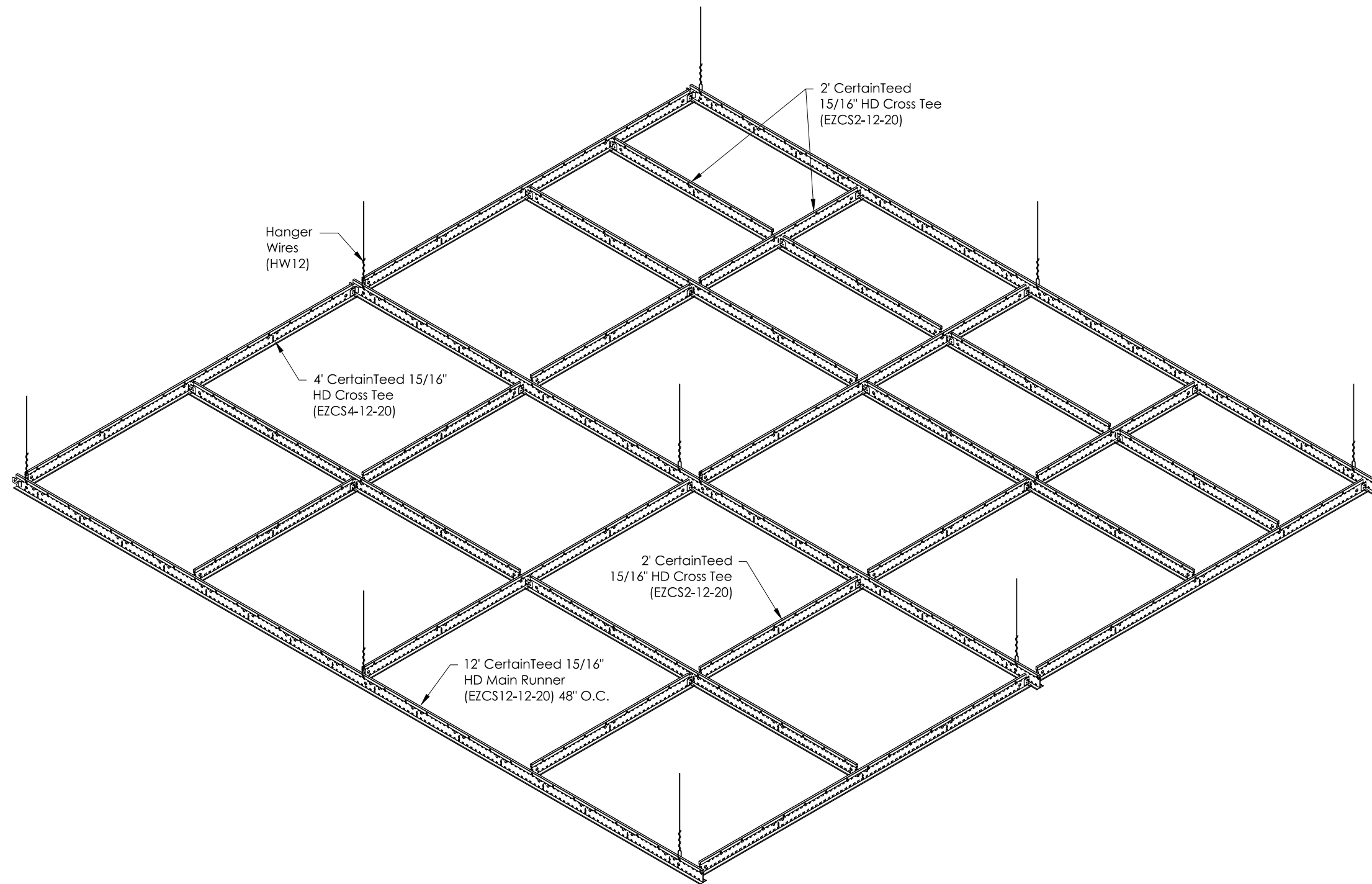


**C** 5515U1 Installation Diagram Isometric View

PD-01 Scale: 1/2"=1'-0"

DATE	REVISIONS	#

These drawings show typical conditions for installing the CertainTeed Ceilings product shown. They should not be construed as a substitute for an architectural or engineering design and do not reflect the unique requirements of local codes, laws, statutes or regulations that may be applicable for a specific installation. CertainTeed Ceilings assumes no liability for the accuracy or completeness of the drawings for a specific installation or the fitness of the drawings for a particular purpose. The user is advised to consult with local licenced design professionals in order to assure compliance with all legal requirements. CertainTeed Ceilings is not licenced to provide professional engineering or architectural services.



**A** 5515U1 Typical Suspension System Layout Isometric View  
 PD-10

Scale: 1/2"=1'-0"

Only the products that are identified as such on this document are FSC® certified

ARCHITECT

CUSTOMER

REPRESENTATIVE

#	REVISIONS	DATE			

PROJECT TITLE

PROJECT LOCATION

SHEET REFERENCE  
 5515U1 Concealed Access

PRODUCT  
 Ceiling Concealed  
 Access Panel

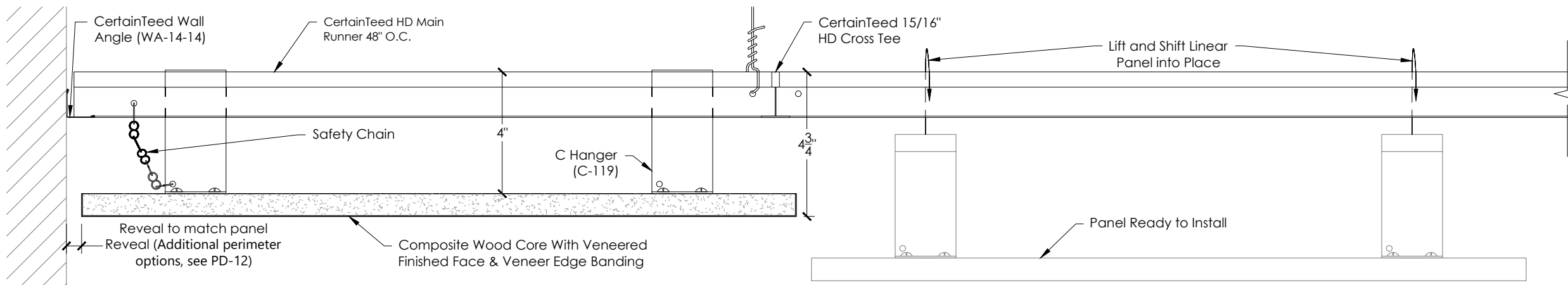
SHEET TITLE  
 Typical Suspension System  
 Layout

DATE	DRWN	CHECK
02/02/20	J.A.	Z.D.

SHEET NO.

PD-10

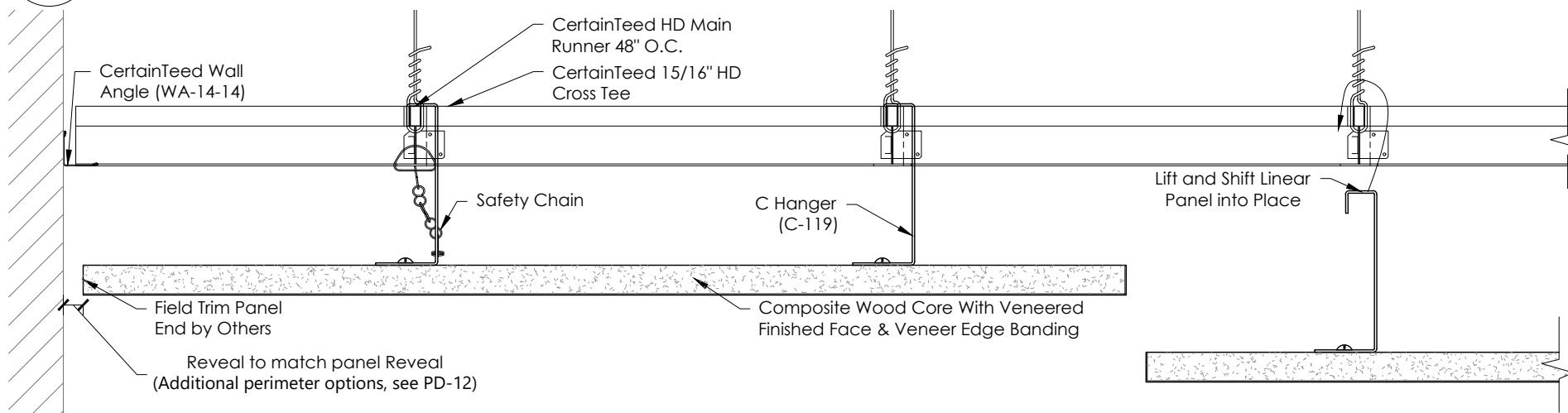
These drawings show typical conditions for installing the CertainTeed Ceilings product shown. They should not be construed as a substitute for an architectural or engineering design and do not reflect the unique requirements of local codes, laws, statutes or regulations that may be applicable for a specific installation. CertainTeed Ceilings assumes no liability for the accuracy or completeness of the drawings for a specific installation or the fitness of the drawings for a particular purpose. The user is advised to consult with local licensed design professionals in order to assure compliance with all legal requirements. CertainTeed Ceilings is not licensed to provide professional engineering or architectural services.



**A** 5515 U1 Perimeter Edge Detail - Parallel

PD-11

Scale: 3"=1'-0"



**B** 5515U1 Perimeter Edge Detail - Perpendicular

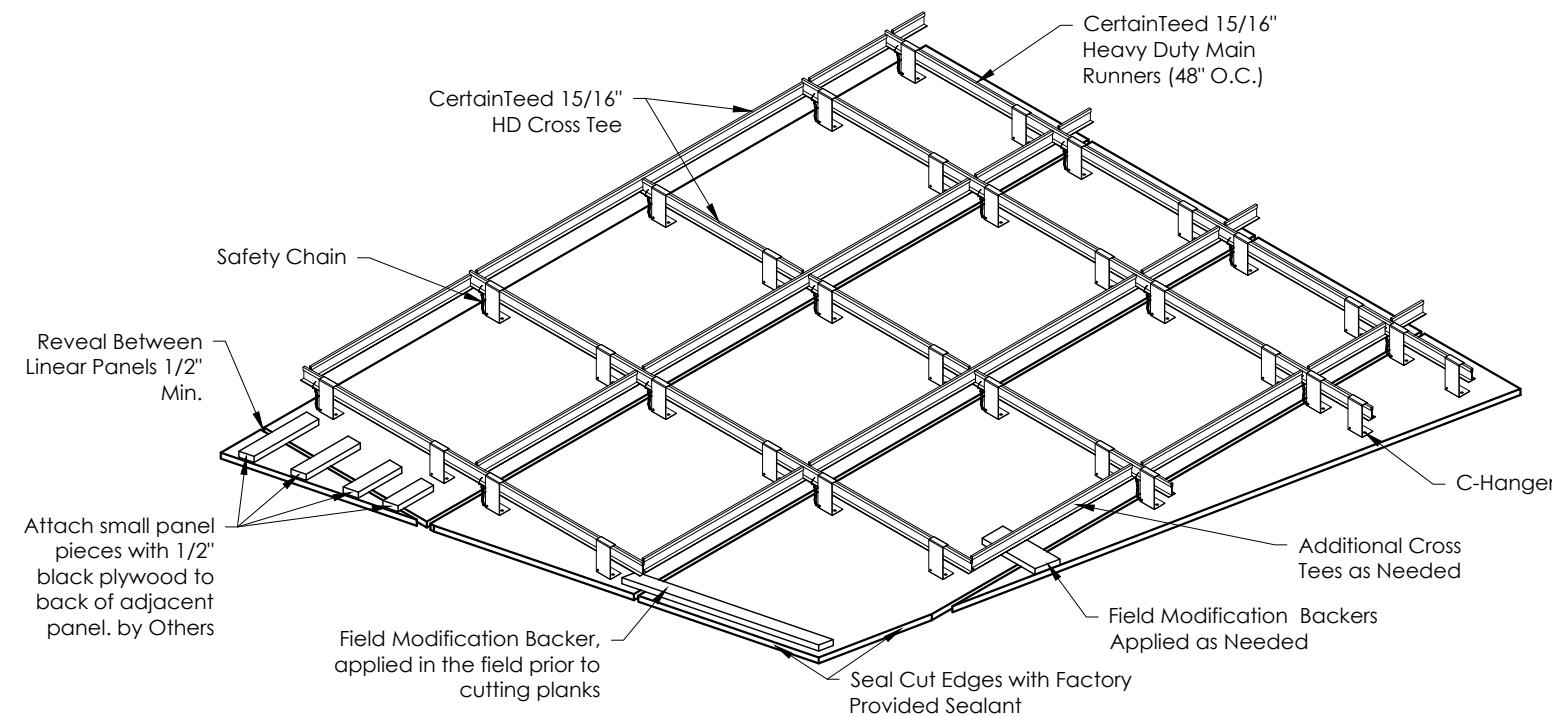
PD-11

Scale: 3"=1'-0"

C-Hanger Guidelines:

C-Hangers on the back of the Panels adjacent to the wall should face wall (allows for narrower reveal).

C-Hangers on the back of the Panels not adjacent to the wall can face either way.



**C** 5515U1 Installation Field Cut Diagram Isometric View

PD-11

Scale: 1/2"=1'-0"

Grid Guidelines:

Install panels by attaching C-hanger to the panel back then hanging the panels on CertainTeed Heavy Duty Main Runners and parallel Cross Tees every 24" O.C.

Maximum cantilever from plank end to last Main Tee is 6". Note that additional Main Runners or Cross Tees may be needed in certain configurations.

Cross Tee Required 24" O.C. between Main Runners.

Field modified panels must attach to a minimum of (2) Main Runners - or use alternative attachment method. Loose backers provided for field modified panels.

Only the products that are identified as such on this document are FSC® certified

ARCHITECT

CUSTOMER

REPRESENTATIVE

#	DATE		REVISIONS	
	1	2	1	2

PROJECT TITLE

PROJECT LOCATION

SHEET REFERENCE  
5515U1 Concealed Access

PRODUCT  
Ceiling Concealed  
Access Panel

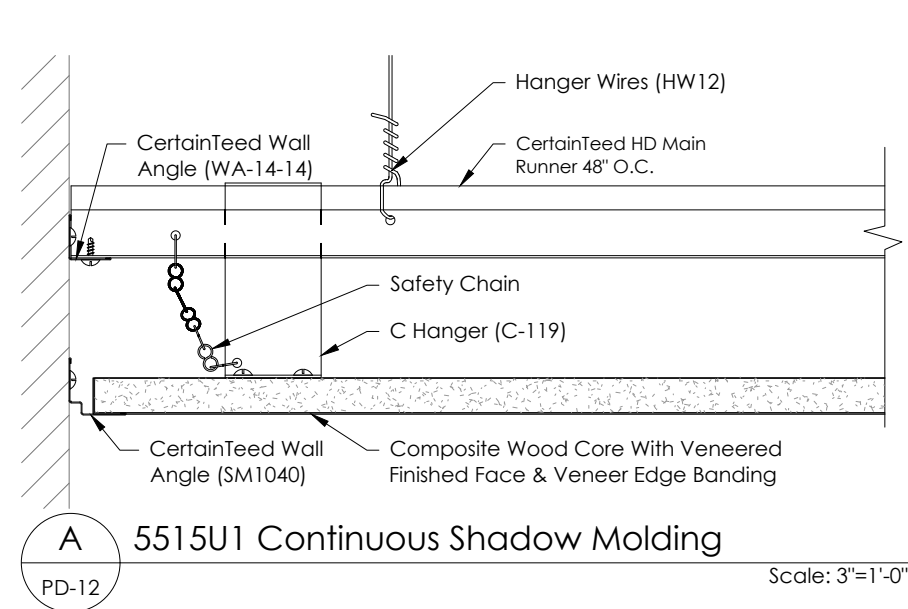
SHEET TITLE  
Typical Installation Details

DATE	DRWN	CHECK
02/02/20	J.A.	Z.D.

SHEET NO.

PD-11

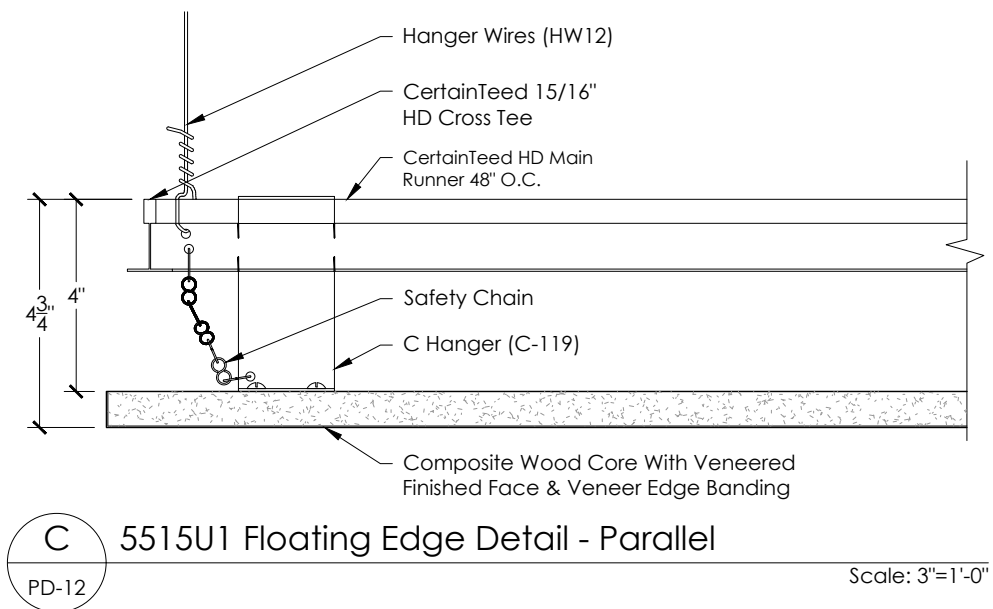
DATE					
REVISIONS					
#					



**A** 5515U1 Continuous Shadow Molding

PD-12

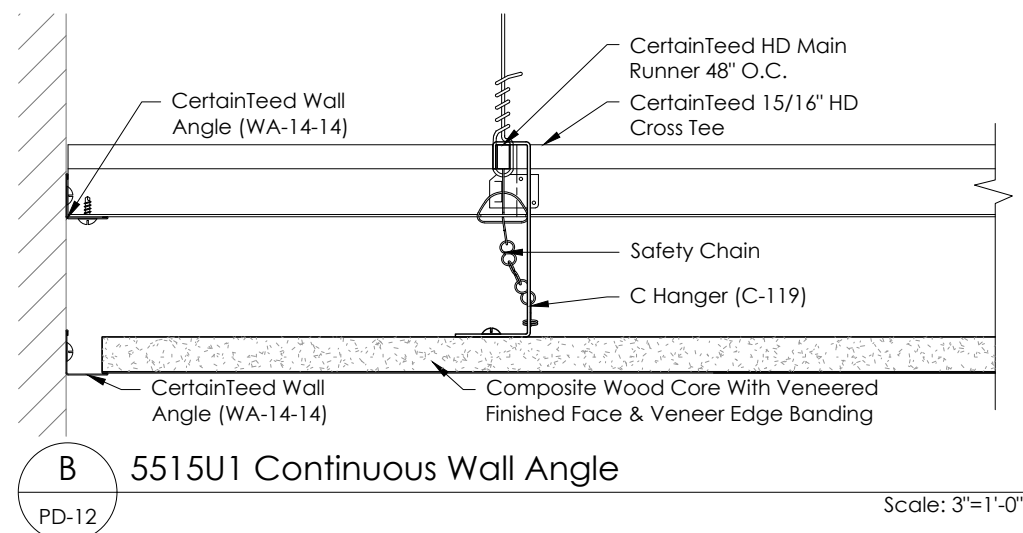
Scale: 3"=1'-0"



**C** 5515U1 Floating Edge Detail - Parallel

PD-12

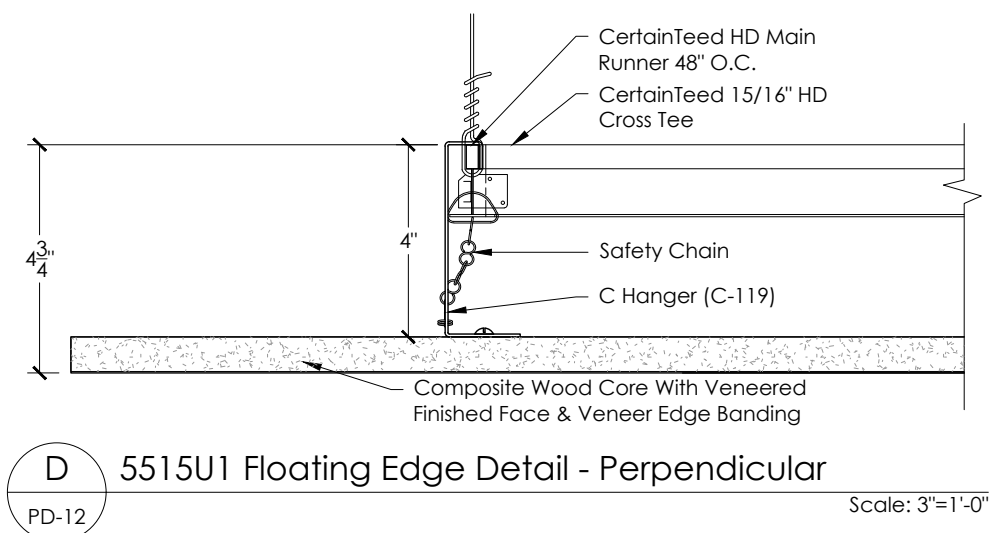
Scale: 3"=1'-0"



**B** 5515U1 Continuous Wall Angle

PD-12

Scale: 3"=1'-0"



**D** 5515U1 Floating Edge Detail - Perpendicular

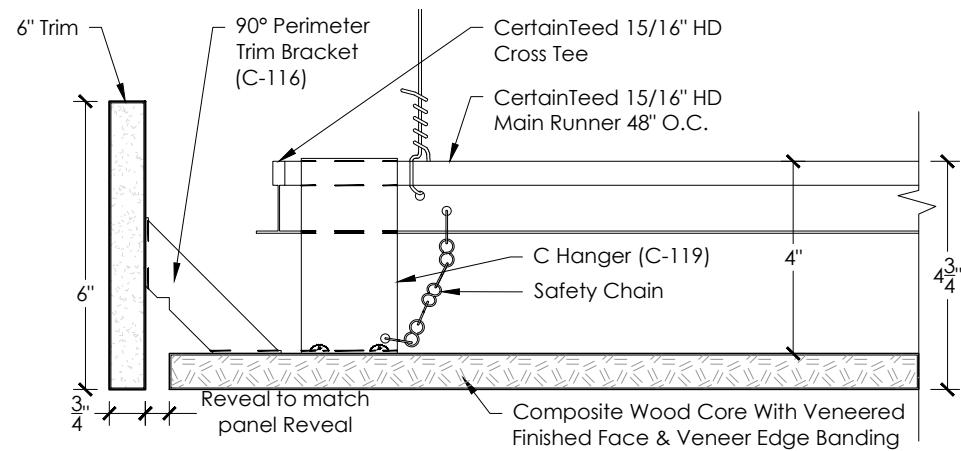
PD-12

Scale: 3"=1'-0"

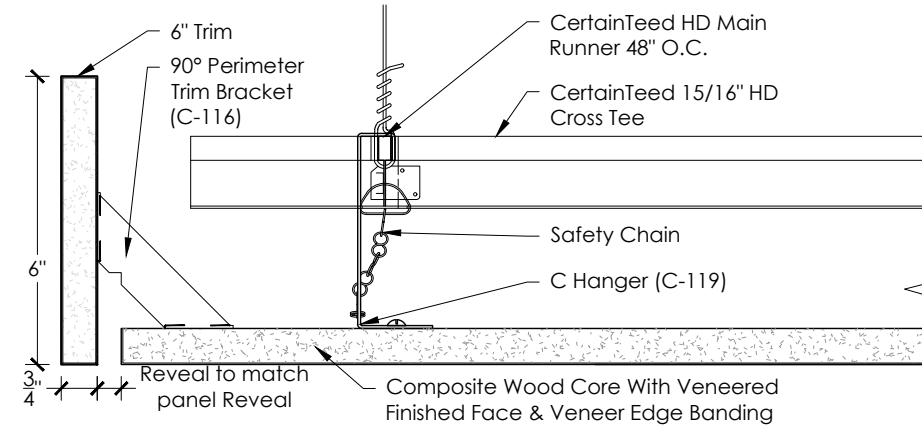
C-Hanger Guidelines:

C-Hangers on the back of the Panels adjacent to the wall should face wall (allows for narrower reveal).

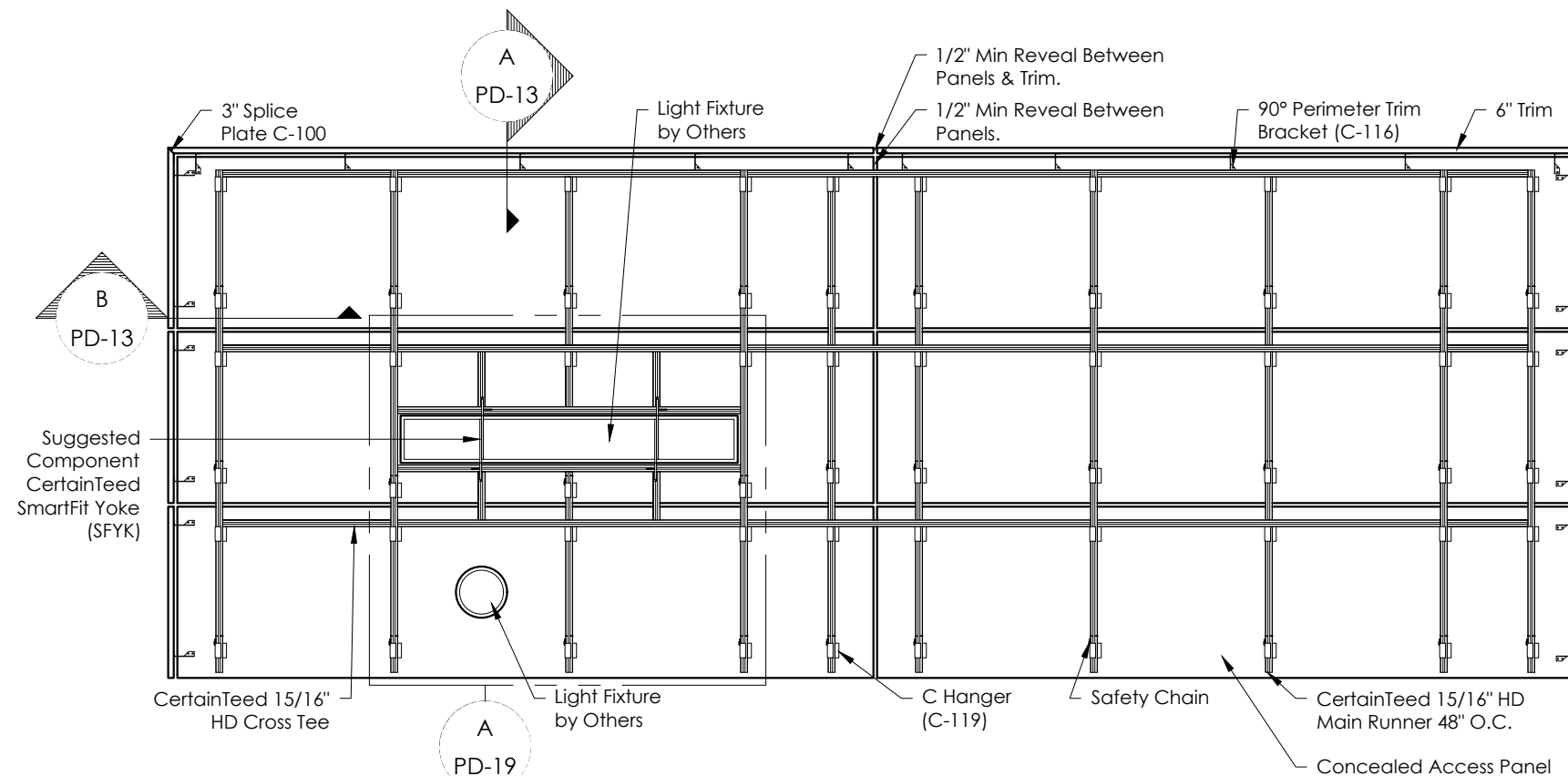
C-Hangers on the back of the Panels not adjacent to the wall can face either way.



**A** 5515U1 Panel Mounted Perimeter Trim Detail - Parallel  
 PD-13 Scale: 3"=1'-0"



**B** 5515U1 Panel Mounted Perimeter Trim Detail - Perpendicular  
 PD-13 Scale: 3"=1'-0"



**C** 5515U1 Panel Mounted Trim Installation Back View  
 PD-13 Scale: 1/2"=1'-0"

Only the products that are identified as such on this document are FSC® certified

ARCHITECT

CUSTOMER

REPRESENTATIVE

DATE	REVISIONS	#

PROJECT TITLE

PROJECT LOCATION

SHEET REFERENCE  
 5515U1 Concealed Access

PRODUCT  
 Ceiling Concealed Access Panel

SHEET TITLE  
 Panel Mounted Perimeter Trim Installation (see PD-16, PD-17, PD-18 for Suspension System Mounted Perimeter Trim)

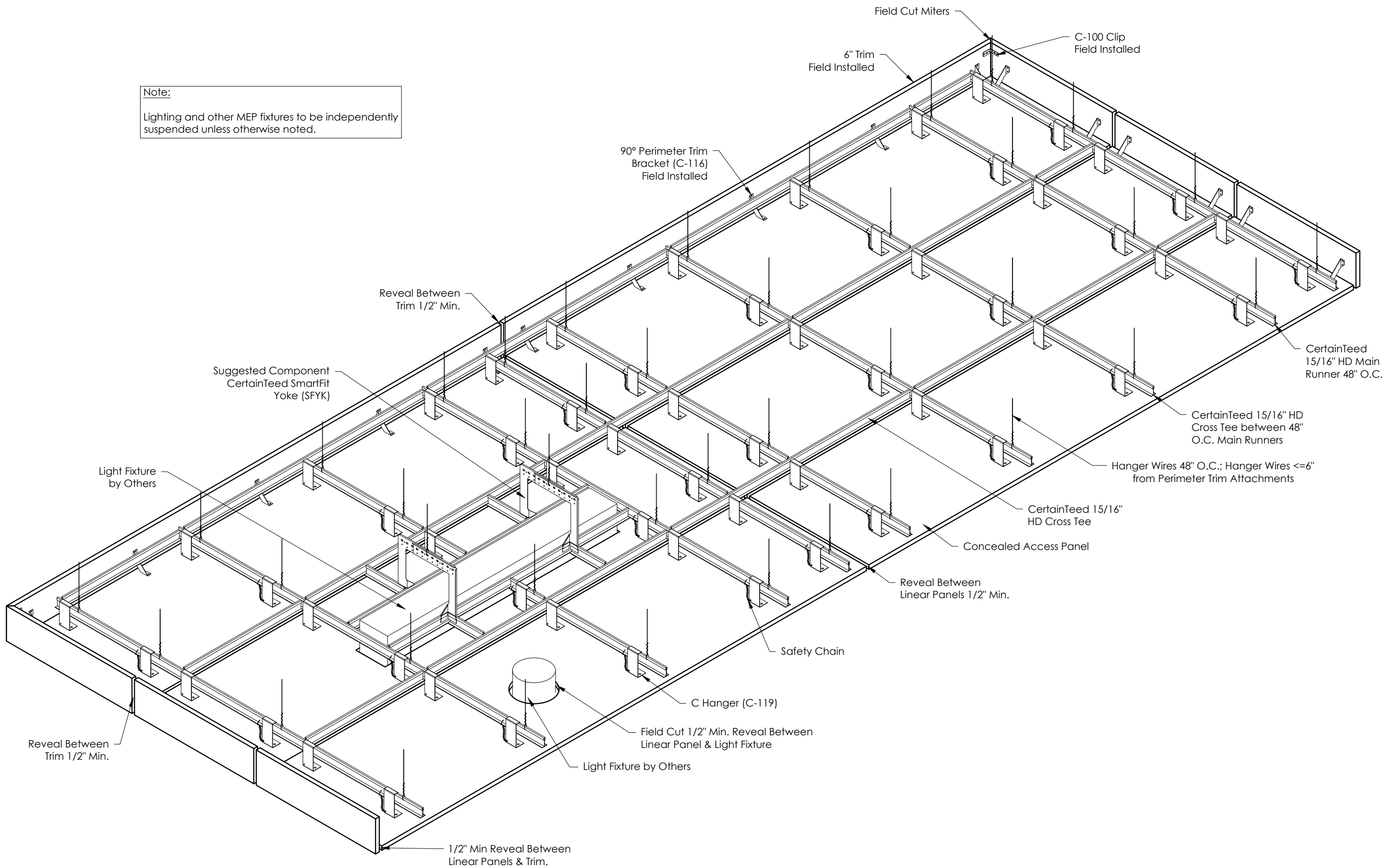
DATE	DRWN	CHECK
02/02/20	J.A.	Z.D.

SHEET NO.

PD-13

These drawings show typical conditions for installing the CertainTeed Ceilings product shown. They should not be construed as a substitute for an architectural or engineering design and do not reflect the unique requirements of local codes, laws, statutes or regulations that may be applicable for a specific installation. CertainTeed Ceilings assumes no liability for the accuracy or completeness of the drawings for a specific installation or the fitness of the drawings for a particular purpose. The user is advised to consult with local licenced design professionals in order to assure compliance with all legal requirements. CertainTeed Ceilings is not licenced to provide professional engineering or architectural services.

**Note:**  
Lighting and other MEP fixtures to be independently suspended unless otherwise noted.



**A** 5515U1 Panel Mounted Perimeter Trim Installation Isometric Back View  
PD-14

Scale: 3/4"=1'-0"

Only the products that are identified as such on this document are FSC® certified

ARCHITECT

CUSTOMER

REPRESENTATIVE

DATE	REVISIONS	#

PROJECT TITLE

PROJECT LOCATION

SHEET REFERENCE  
5515U1 Concealed Access

PRODUCT  
Ceiling Concealed Access Panel

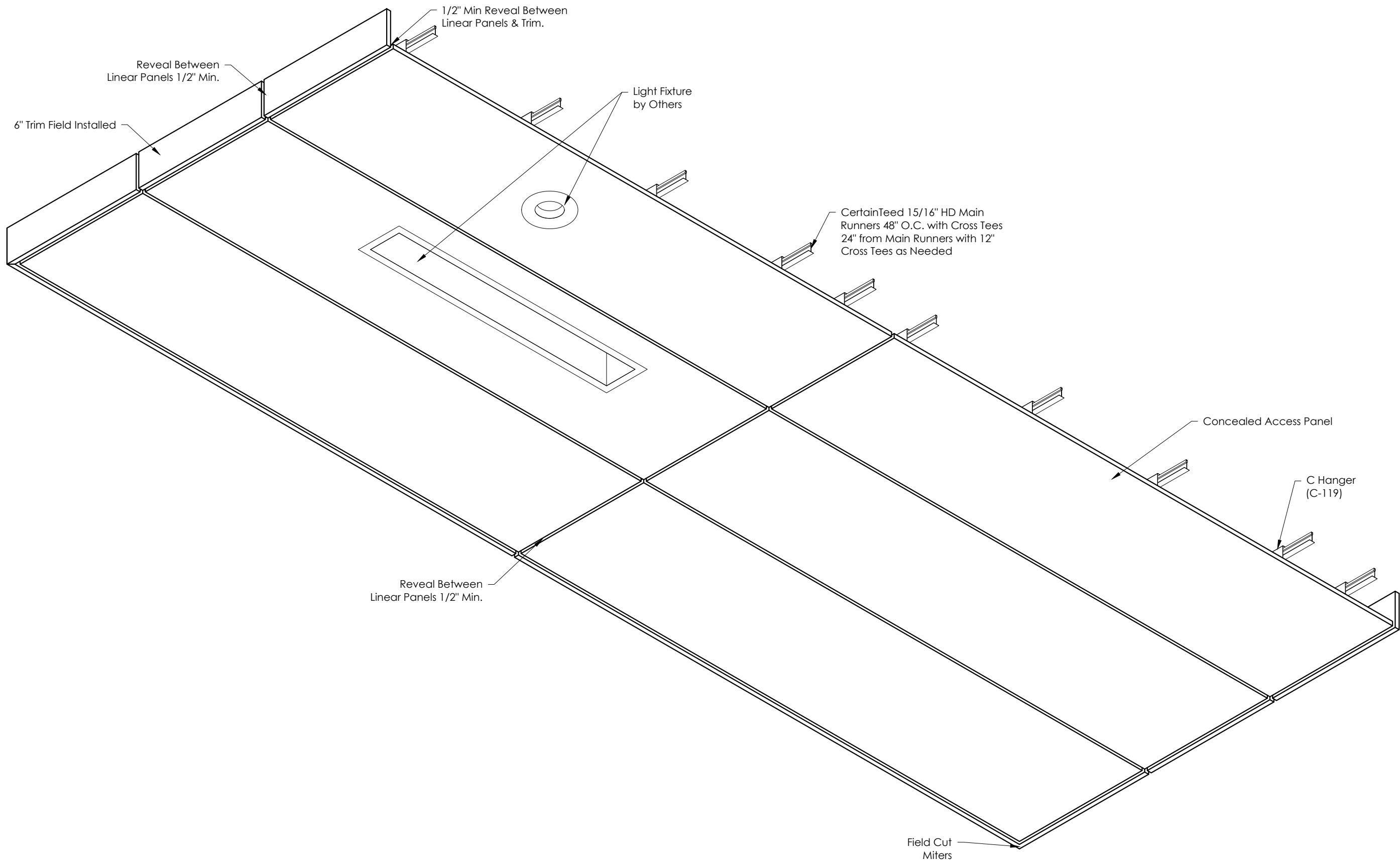
SHEET TITLE  
Panel Mounted Perimeter Trim Installation (see PD-16, PD-17, PD-18 for Suspension System Mounted Perimeter Trim)

DATE	DRWN	CHECK
02/02/20	J.A.	Z.D.

SHEET NO.

**PD-14**

These drawings show typical conditions for installing the CertainTeed Ceilings product shown. They should not be construed as a substitute for an architectural or engineering design and do not reflect the unique requirements of local codes, laws, statutes or regulations that may be applicable for a specific installation. CertainTeed Ceilings assumes no liability for the accuracy or completeness of the drawings for a specific installation or the fitness of the drawings for a particular purpose. The user is advised to consult with local licenced design professionals in order to assure compliance with all legal requirements. CertainTeed Ceilings is not licenced to provide professional engineering or architectural services.



**A** 5515U1 Panel Mounted Perimeter Trim Installation Isometric Face View  
 PD-15

Scale: 3/4"=1'-0"

Only the products that are identified as such on this document are FSC® certified

ARCHITECT

CUSTOMER

REPRESENTATIVE

DATE					
REVISIONS					
#					

PROJECT TITLE

PROJECT LOCATION

SHEET REFERENCE  
 5515U1 Concealed Access

PRODUCT  
 Ceiling Concealed Access Panel

SHEET TITLE  
 Panel Mounted Perimeter Trim Installation (see PD-16, PD-17, PD-18 for Suspension System Mounted Perimeter Trim)

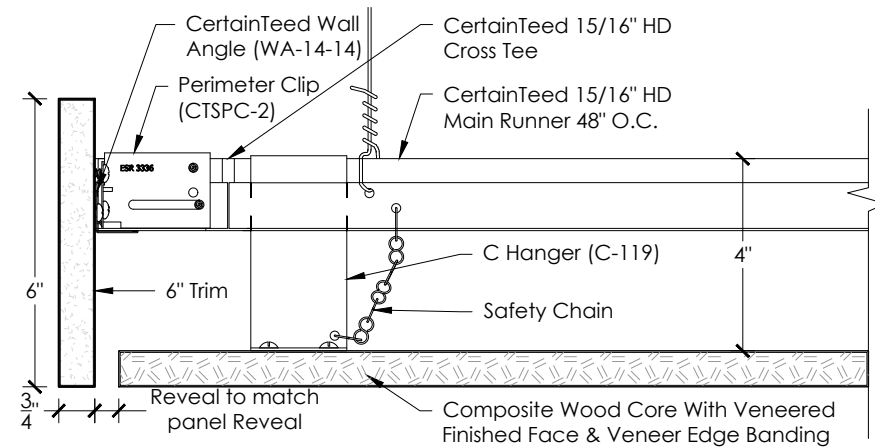
DATE	DRWN	CHECK
02/02/20	J.A.	Z.D.

SHEET NO.

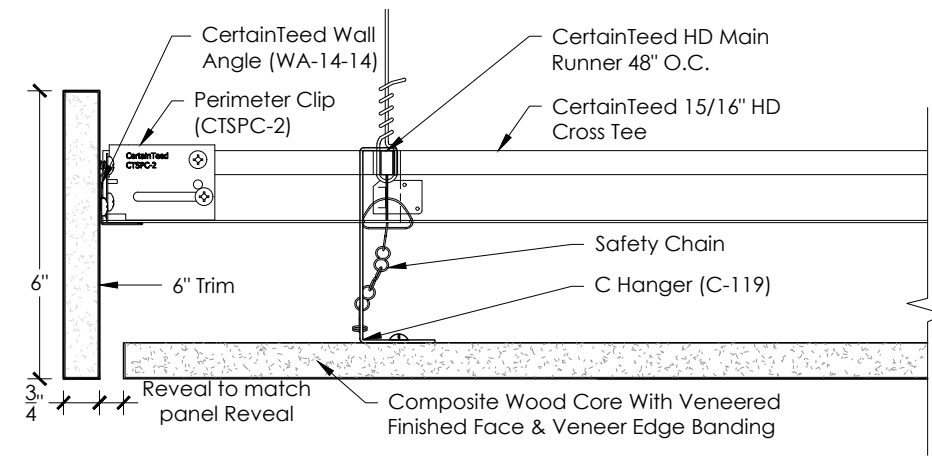
**PD-15**

These drawings show typical conditions for installing the CertainTeed Ceilings product shown. They should not be construed as a substitute for an architectural or engineering design and do not reflect the unique requirements of local codes, laws, statutes or regulations that may be applicable for a specific installation. CertainTeed Ceilings assumes no liability for the accuracy or completeness of the drawings for a specific installation or the fitness of the drawings for a particular purpose. The user is advised to consult with local licenced design professionals in order to assure compliance with all legal requirements. CertainTeed Ceilings is not licenced to provide professional engineering or architectural services.

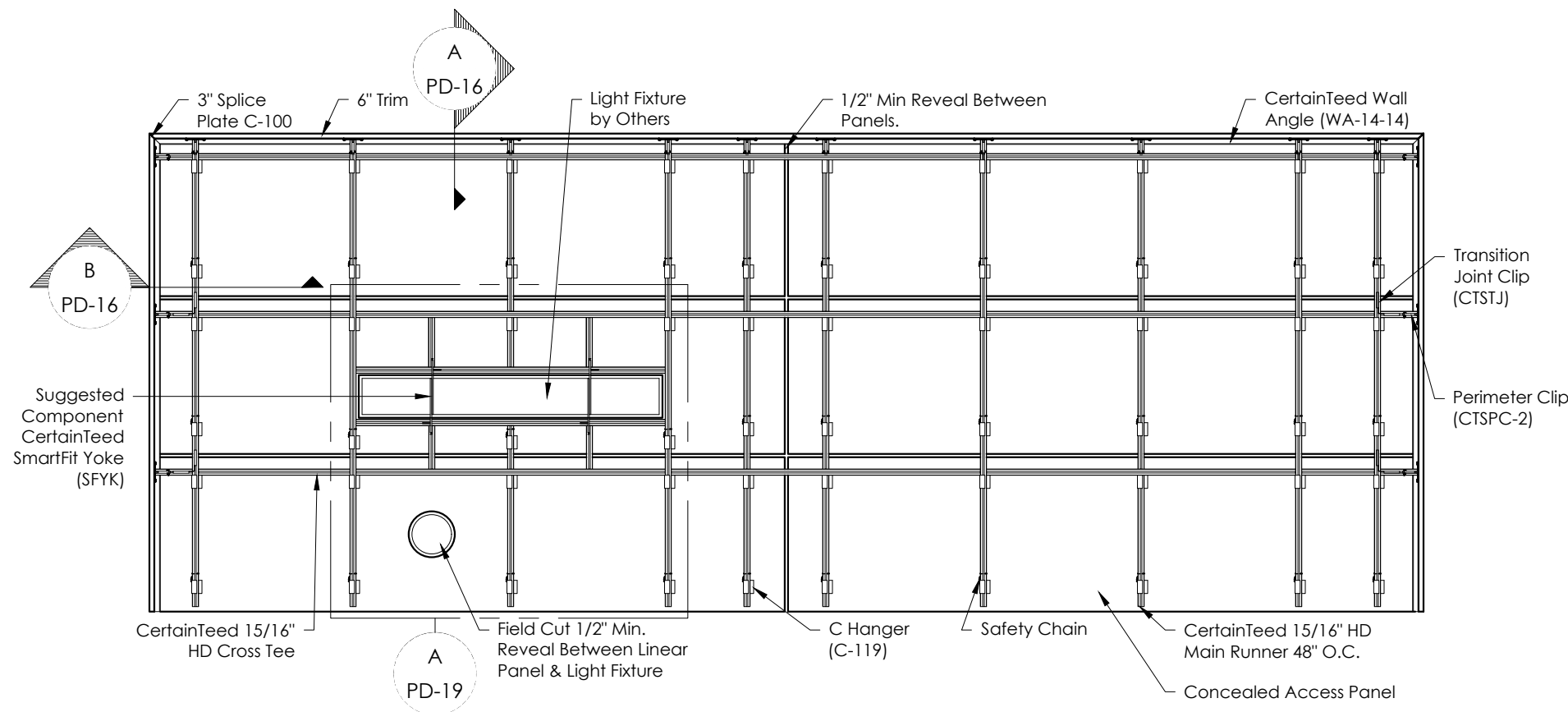




**A** 5515U1 Suspension System Mounted Perimeter Trim Detail - Parallel  
 PD-16 Optional Trim Attachment  
 Scale: 3"=1'-0"



**B** 5515U1 Suspension System Perimeter Trim Detail - Perpendicular  
 PD-16 Optional Trim Attachment  
 Scale: 3"=1'-0"

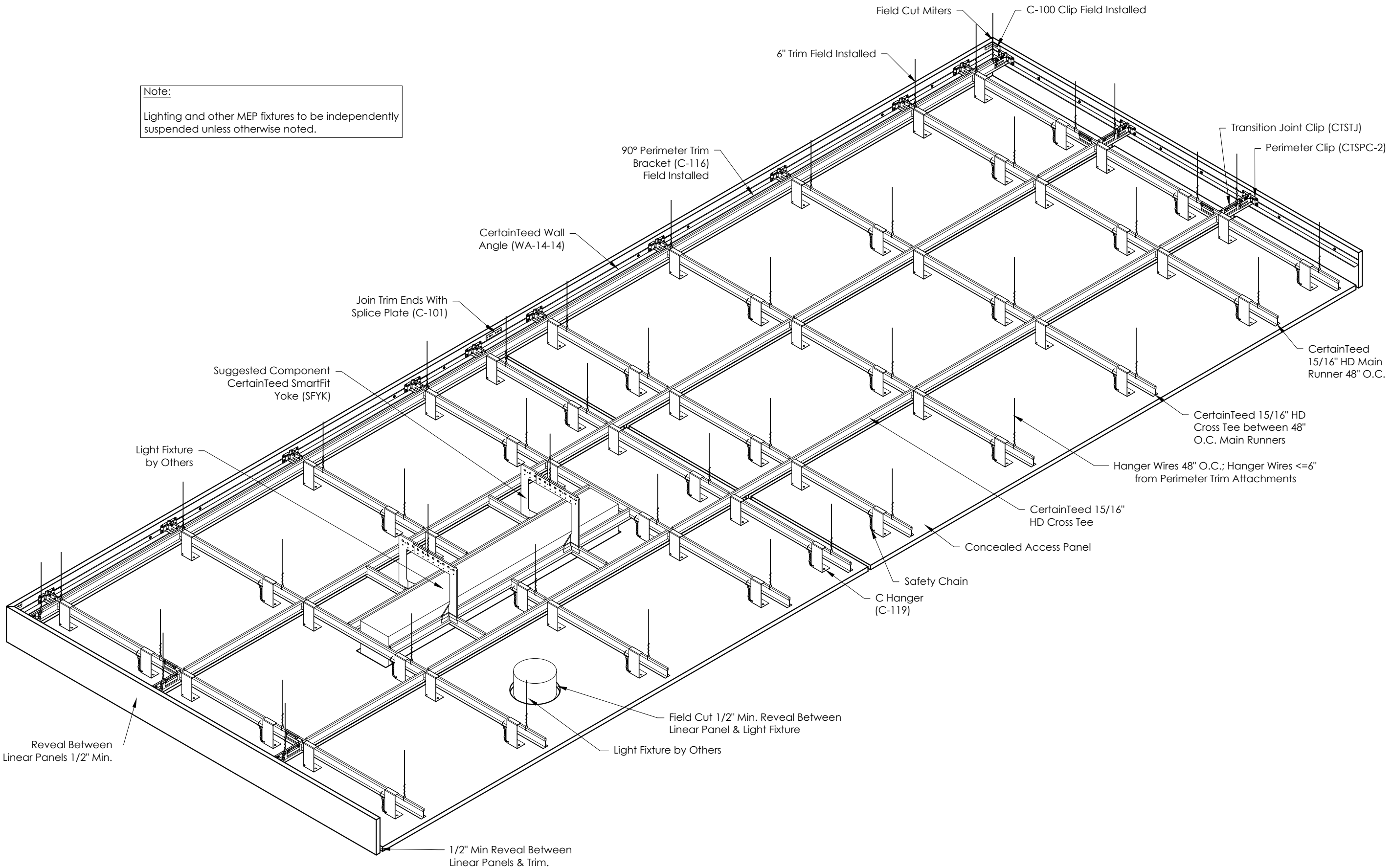


**C** 5515U1 Suspension System Mounted Perimeter Trim Installation Back View  
 PD-16 Optional Trim Attachment  
 Scale: 1/2"=1'-0"

DATE	REVISIONS	#

These drawings show typical conditions for installing the CertainTeed Ceilings product shown. They should not be construed as a substitute for an architectural or engineering design and do not reflect the unique requirements of local codes, laws, statutes or regulations that may be applicable for a specific installation. CertainTeed Ceilings assumes no liability for the accuracy or completeness of the drawings for a specific installation or the fitness of the drawings for a particular purpose. The user is advised to consult with local licenced design professionals in order to assure compliance with all legal requirements. CertainTeed Ceilings is not licenced to provide professional engineering or architectural services.

Note:  
Lighting and other MEP fixtures to be independently suspended unless otherwise noted.



**A** 5515U1 Suspension System Mounted Perimeter Trim Installation Isometric Back View  
PD-17

Scale: 3/4"=1'-0"

Only the products that are identified as such on this document are FSC® certified

ARCHITECT

CUSTOMER

REPRESENTATIVE

DATE	REVISIONS	#

PROJECT TITLE

PROJECT LOCATION

SHEET REFERENCE  
5515U1 Concealed Access

PRODUCT  
Ceiling Concealed Access Panel

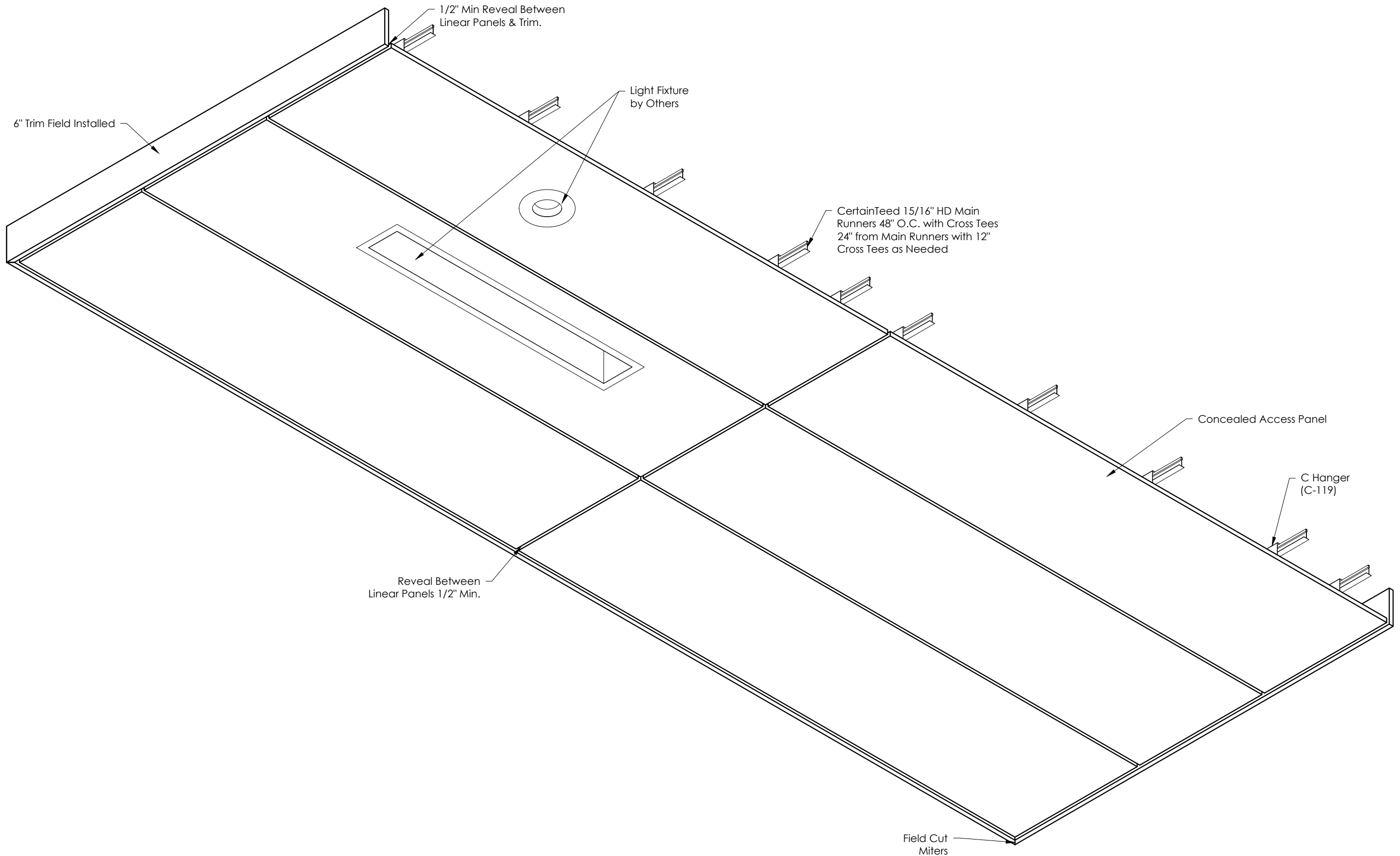
SHEET TITLE  
Suspension System Mounted Perimeter Trim Installation (see PD-13 PD-14, PD-15 for Panel Mounted Perimeter Trim)

DATE	DRWN	CHECK
02/02/20	J.A.	Z.D.

SHEET NO.

PD-17

These drawings show typical conditions for installing the CertainTeed Ceilings product shown. They should not be construed as a substitute for an architectural or engineering design and do not reflect the unique requirements of local codes, laws, statutes or regulations that may be applicable for a specific installation. CertainTeed Ceilings assumes no liability for the accuracy or completeness of the drawings for a specific installation or the fitness of the drawings for a particular purpose. The user is advised to consult with local licenced design professionals in order to assure compliance with all legal requirements. CertainTeed Ceilings is not licenced to provide professional engineering or architectural services.



**A** 5515U1 Suspension System Mounted Perimeter Trim Installation Isometric Face View  
 PD-18

Scale: 3/4"=1'-0"

Only the products that are identified as such on this document are FSC® certified

ARCHITECT

CUSTOMER

REPRESENTATIVE

DATE	REVISIONS				
	#	DESCRIPTION	DATE	BY	APP

PROJECT TITLE

PROJECT LOCATION

SHEET REFERENCE  
 5515U1 Concealed Access

PRODUCT  
 Ceiling Concealed Access Panel

SHEET TITLE  
 Suspension System Mounted Perimeter Trim Installation (see PD-13 PD-14, PD-15 for Panel Mounted Perimeter Trim)

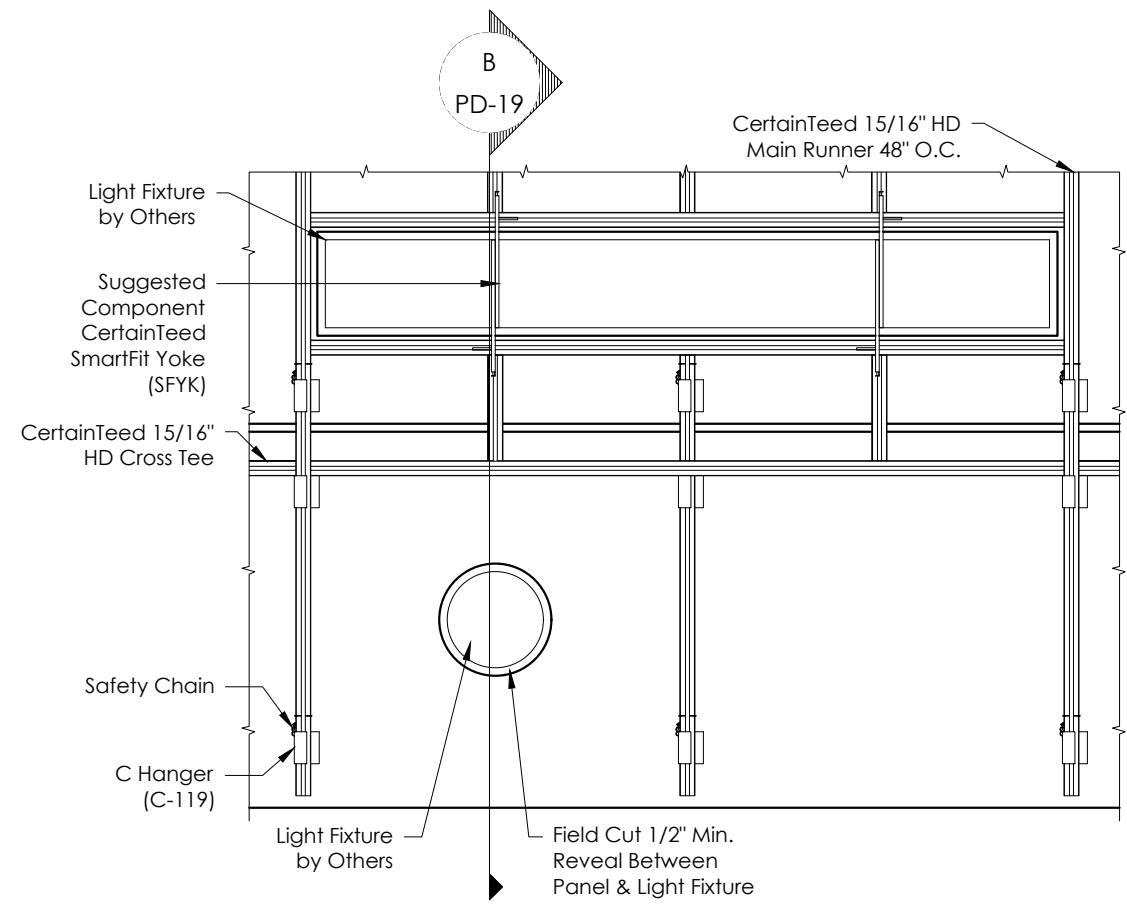
DATE	DRWN	CHECK
02/02/20	J.A.	Z.D.

SHEET NO.

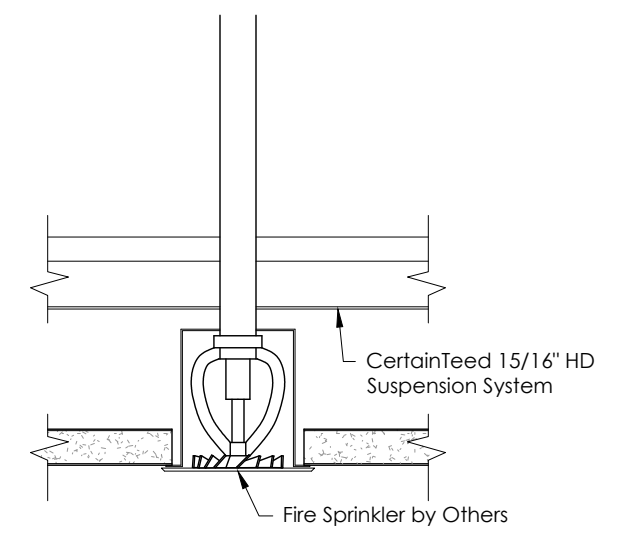
**PD-18**

These drawings show typical conditions for installing the CertainTeed Ceilings product shown. They should not be construed as a substitute for an architectural or engineering design and do not reflect the unique requirements of local codes, laws, statutes or regulations that may be applicable for a specific installation. CertainTeed Ceilings assumes no liability for the accuracy or completeness of the drawings for a specific installation or the fitness of the drawings for a particular purpose. The user is advised to consult with local licenced design professionals in order to assure compliance with all legal requirements. CertainTeed Ceilings is not licenced to provide professional engineering or architectural services.

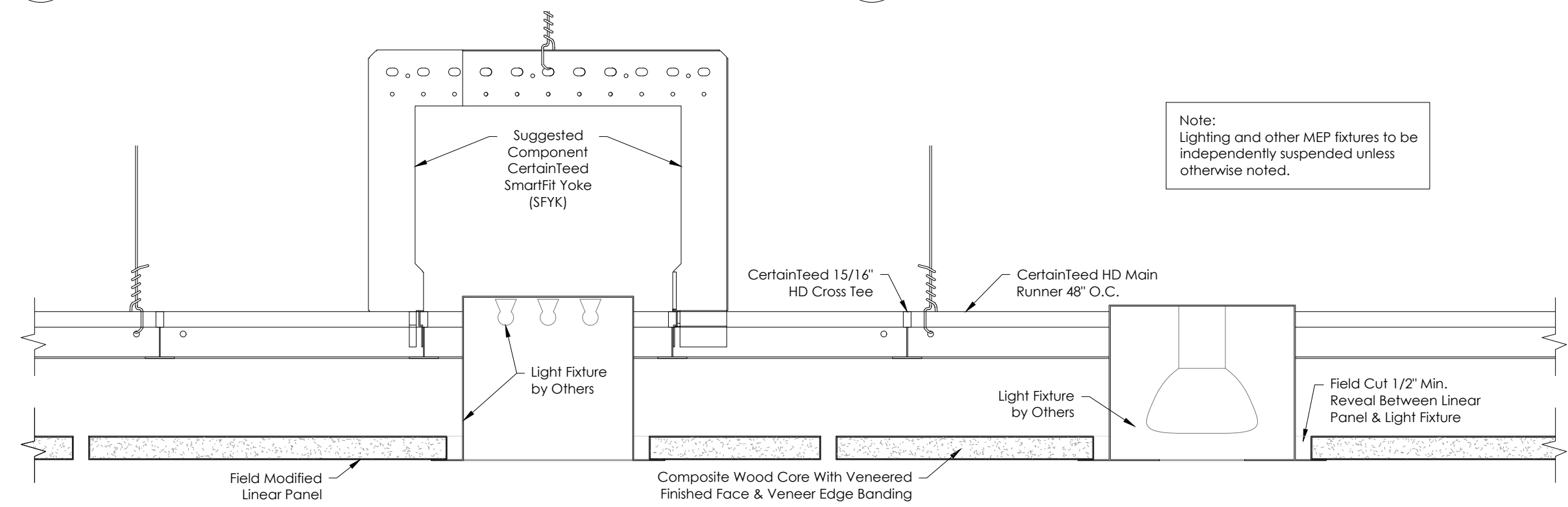
DATE	REVISIONS	#



**A** 5515U1 Enlarged Back View at Light  
PD-19 Scale: 1"=1'-0"



**C** Sprinkler Detail  
PD-19 Scale: 3"=1'-0"



Note:  
Lighting and other MEP fixtures to be independently suspended unless otherwise noted.

**B** 5515U1 Light Fixture Detail - Parallel  
PD-19 Scale: 3"=1'-0"

These drawings show typical conditions for installing the CertainTeed Ceilings product shown. They should not be construed as a substitute for an architectural or engineering design and do not reflect the unique requirements of local codes, laws, statutes or regulations that may be applicable for a specific installation. CertainTeed Ceilings assumes no liability for the accuracy or completeness of the drawings for a specific installation or the fitness of the drawings for a particular purpose. The user is advised to consult with local licenced design professionals in order to assure compliance with all legal requirements. CertainTeed Ceilings is not licenced to provide professional engineering or architectural services.

<b>Wood Veneer Panels</b> - Square or rectangular boards oriented horizontally. Includes independently suspended and lay-in panels.	
Panel Width/Length: $\pm 0.062"$ (1/16")	Panel Thickness: $\pm 0.031"$ (1/32")
Panel Squareness Diagonals up to 60" Diagonals over 60" to 120"	$\pm 0.062$ (1/16") $\pm 0.125$ (1/8")
Cupping (deviation from flatness) at midpoint, diagonal to 60" at midpoint, diagonal over 60"	$\pm 0.125$ (1/8") $\pm 0.187$ (3/16")
Bowing (along edge) along length up to 24" along length 24" to 48" along length 48" to 96"	$\pm 0.062"$ (1/16") $\pm 0.125"$ (1/8") $\pm 0.187"$ (3/16")
Panel-to-Panel stepping (g)	$\pm 0.062"$ (1/16")
(G)= Installed allowance between panels	

**Ordering Notes:**

All dimensions are shown for reference and will have to be modified for field installation. Dimensions are to be field verified prior to fabrication. Changes in dimensions may result in quantity adjustments. Closet stock and spares are not included and must be added to quantity shown if needed. Utilize the use of cut-offs where appropriate - product quantities based on partial products being used.

**Suspension System Components and Accessories:**

CertainTeed 15/16" & 9/16"HD acoustical suspension systems sold separately. Visit [www.certainteed.com/suspension-systems/](http://www.certainteed.com/suspension-systems/) for more information and purchasing options.

**Installation Notes:**

Wood is a natural material with varying grain and color characteristics, making each installation uniquely beautiful. Characteristics may vary from panel to panel. If desired, for greater visual consistency, the products should be laid out and arranged in advance of installation to achieve the desired effect. All products should be reviewed before installation to avoid undesirable visual pattern because of natural color and grain variations.

Wood panels must be acclimatized for 72 hours prior to installation. Maintain relative humidity between 25% and 55% and temperature between 50°F and 86°F (10°C and 30°C) for the life of the product, unless otherwise noted in order, quote, and submittal documents. Fixtures and MEP devices to be hung independently from ceiling support system.

Fixtures and MEP devices may include but are not limited to: light fixtures, HVAC diffusers, sprinkler heads and/or piping, speakers, security cameras, components, décor, etc.

Reflected ceiling drawings will include penetrations of limited light fixtures and HVAC registers only when the size of the wood is impacted. Other penetrations, including but not limited to sprinklers, security cameras audio-visual, etc., Are typically not included in the drawing set as placement and code requirements vary by product and jurisdiction.

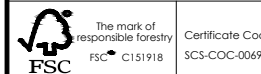
Fixtures and MEP devices shown are for reference only; unless otherwise noted all fixtures and MEP devices by others. Contractor to follow CISCA guidelines for suspension system installation. Wood ceilings are typically heavier than other ceiling products. Follow manufacturer load requirements and installation specifications based on the weights and dimensions of product being installed.

All field cut products must be sealed with a clear sealer or stained then sealed.

See Product Detail Sets for edge condition details.



CertainTeed Ceiling Corporation  
20 Moores Road  
Malvern, PA 19355  
800-233-8990



Only the products that are identified as such on this document are FSC® certified

ARCHITECT

CUSTOMER

REPRESENTATIVE

DATE							
REVISIONS							
#							

PROJECT TITLE

PROJECT LOCATION

SHEET REFERENCE  
5515U1 Concealed Access

PRODUCT  
Ceiling Concealed  
Access Panel

SHEET TITLE  
CISCA Tolerances,  
Product Notes, and  
Ordering Notes

DATE	DRWN	CHECK
02/02/20	J.A.	Z.D.

SHEET NO.  
**PD-20**