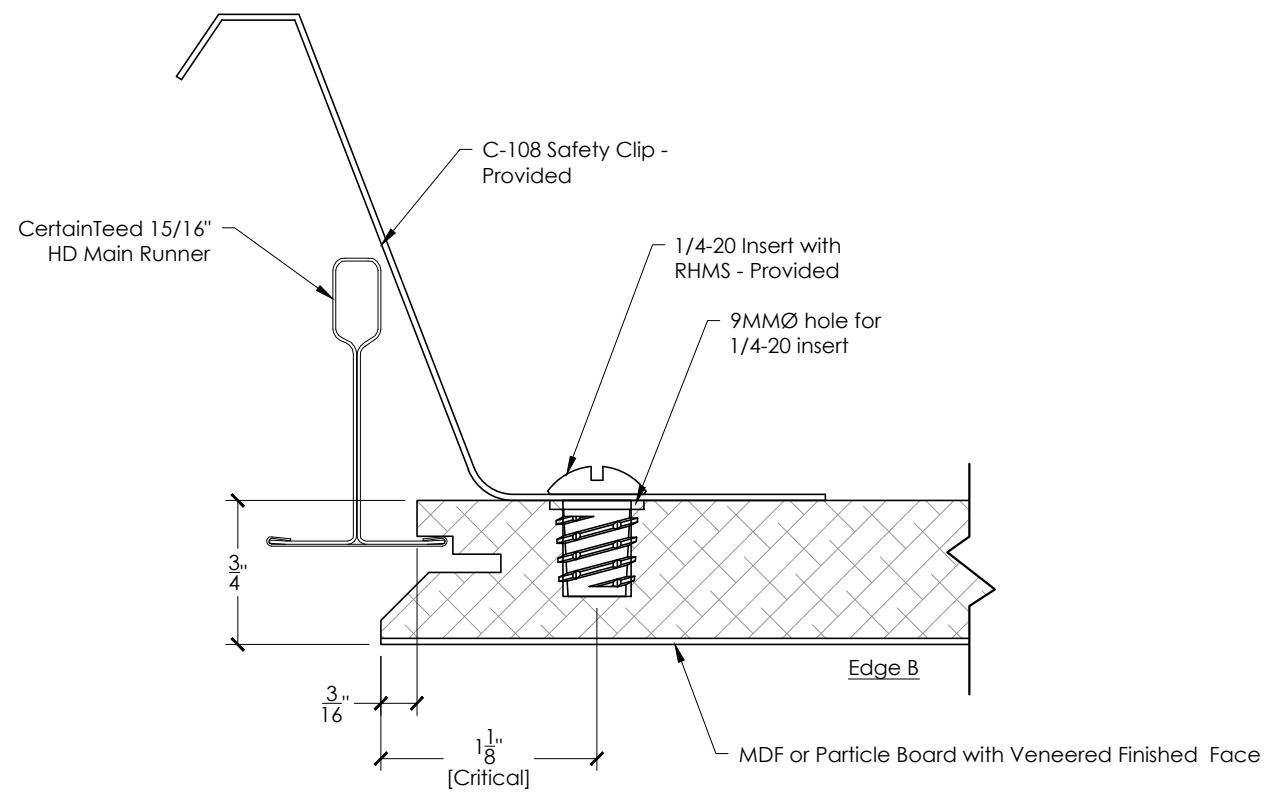
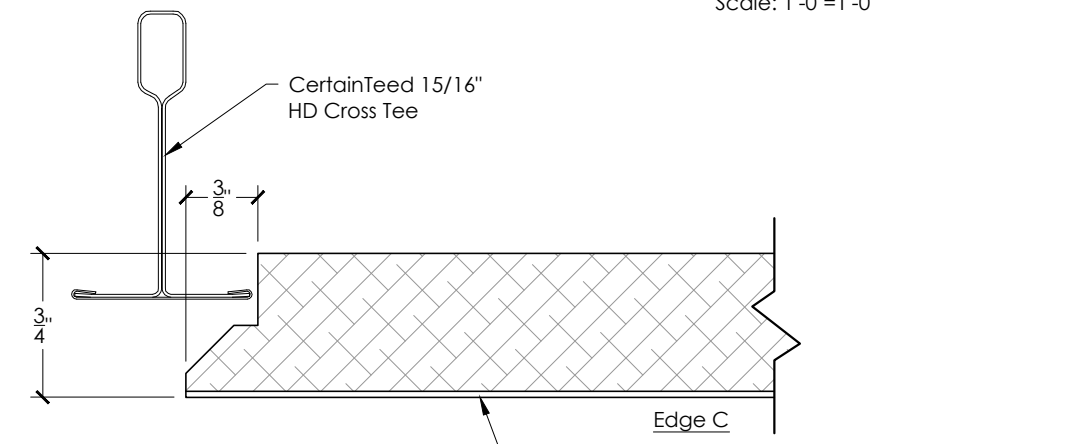


A 5205 U1 Overall Plan Views
 Scale: 1 1/2"=1'-0"
 PD-01



B 5205 U1 Section View @ B-Edge
 Scale: 1'-0"=1'-0"
 PD-01



C 5205 U1 Section View @ C-Edge
 Scale: 1'-0"=1'-0"
 PD-01

Type:	Semi-Concealed Panel
Module:	Nominal 24" X 24"
Core:	3/4" Fire Retardant MDF or Particle Board
Veneer:	Veneer Species
Finish:	Clear Topcoat, 20% sheen
Rating:	Class A per ASTM E84
Mounting:	Semi Concealed Edge Installed in CertainTeed 15/16" HD Grid
Accessories:	Acoustical Fleece (If applicable)

QTY.:	
	--

Only the products that are identified as such on this document are FSC® certified

ARCHITECT
 CUSTOMER
 REPRESENTATIVE

DATE	REVISIONS	#

PROJECT TITLE

PROJECT LOCATION

SHEET REFERENCE

PRODUCT

SHEET TITLE
 PRODUCT SPECIFICATIONS
 Semi-Concealed Panel

DATE	DRWN	CHECK
3/2/20	J.A.	D.T.

SHEET NO.
PD-01

These drawings show typical conditions for installing the CertainTeed Ceilings product shown. They should not be construed as a substitute for an architectural or engineering design and do not reflect the unique requirements of local codes, laws, statutes or regulations that may be applicable for a specific installation. CertainTeed Ceilings assumes no liability for the accuracy or completeness of the drawings for a specific installation or the fitness of the drawings for a particular purpose. The user is advised to consult with local licenced design professionals in order to assure compliance with all legal requirements. CertainTeed Ceilings is not licenced to provide professional engineering or architectural services.

ARCHITECT

CUSTOMER

REPRESENTATIVE

DATE										
REVISIONS										
#										

PROJECT TITLE

PROJECT LOCATION

SHEET REFERENCE

PRODUCT

SHEET TITLE
PRODUCT TOLERANCES &
PRODUCT NOTES

DATE	DRWN	CHECK
3/2/20	J.A.	D.T.

SHEET NO.

PD-09

Wood Veneer Panels - Square or rectangular boards oriented horizontally. Includes independently suspended and lay-in panels.	
Panel Width/Length: ± 0.062" (1/16")	Panel Thickness: ± 0.031" (1/32")
Panel Squareness Diagonals up to 60" Diagonals over 60" to 120"	± 0.062 (1/16") ± 0.125 (1/8")
Cupping (deviation from flatness) at midpoint, diagonal to 60" at midpoint, diagonal over 60"	± 0.125 (1/8") ± 0.187 (3/16")
Bowing (along edge) along length up to 24" along length 24" to 48" along length 48" to 96"	± 0.062" (1/16") ± 0.125" (1/8") ± 0.187" (3/16")
Panel-to-Panel stepping (g)	± 0.062" (1/16")
(G)= Installed allowance between panels	

NOTES:

- Dimensions are to be field verified prior to fabrication. Changes in dimensions may result in quantity adjustments.
- Closet stock and spares are not included and must be added to quantity shown if needed.

Notes:

1. All dimensions are shown for reference and will have to be modified for field installation.
2. Fixtures to be hung independently from ceiling support system. Fixtures may include but are not limited to - light fixtures, HVAC diffusers, sprinkler heads and/or piping, speakers, security cameras, components, etc.
3. Utilize the use of cut-offs where appropriate - product quantities based on partial products being used.
4. Follow manufacturer load requirements and installation specifications based on weights and dimensions of product being installed.
5. Our wood ceiling reflected plans will include penetrations of limited light fixtures and HVAC registers only when the size of the wood is impacted. Other penetrations, including but not limited to sprinklers, security cameras audio-visual, etc.. will not be included in our drawing set due to the fact that we will not claim understanding and liability of placement or code requirement.
6. Ceiling fixtures shown for reference only - lights and mechanical elements by others.
7. See Product Master Sheets for edge condition details.
8. All products should be reviewed before installation to avoid undesirable visual pattern because of natural color and grain variations.
9. All product field cut must be sealed with a clear sealer or stained then sealed.
10. CertainTeed 15/16" & 9/16"HD T-Bar sold separately visit www.certainteed.com/suspension-systems/ for more information and purchasing options.

DATE	REVISIONS	#

PROJECT TITLE

PROJECT LOCATION

SHEET REFERENCE

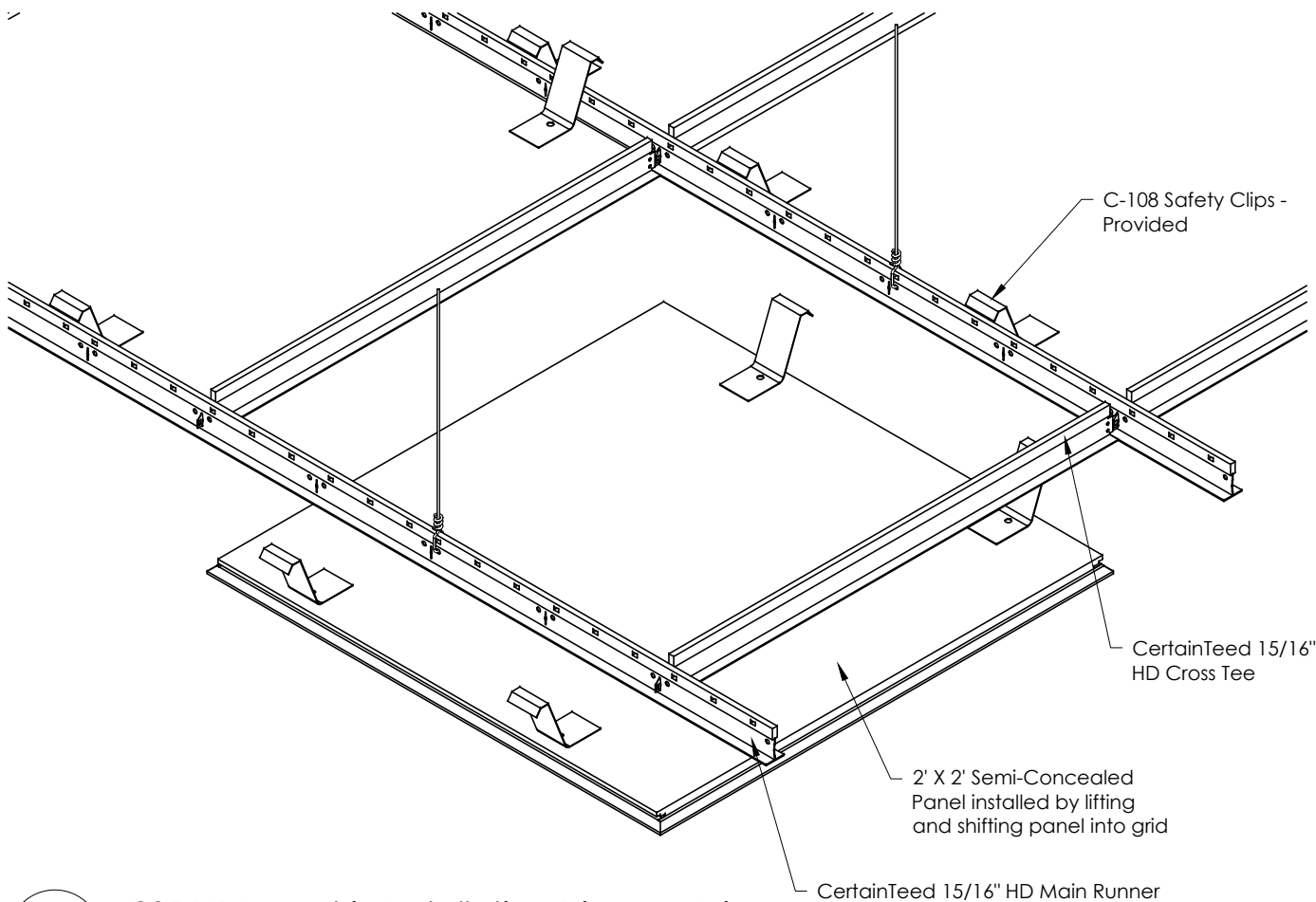
PRODUCT

SHEET TITLE
INSTALLATION
Semi-Concealed Panel

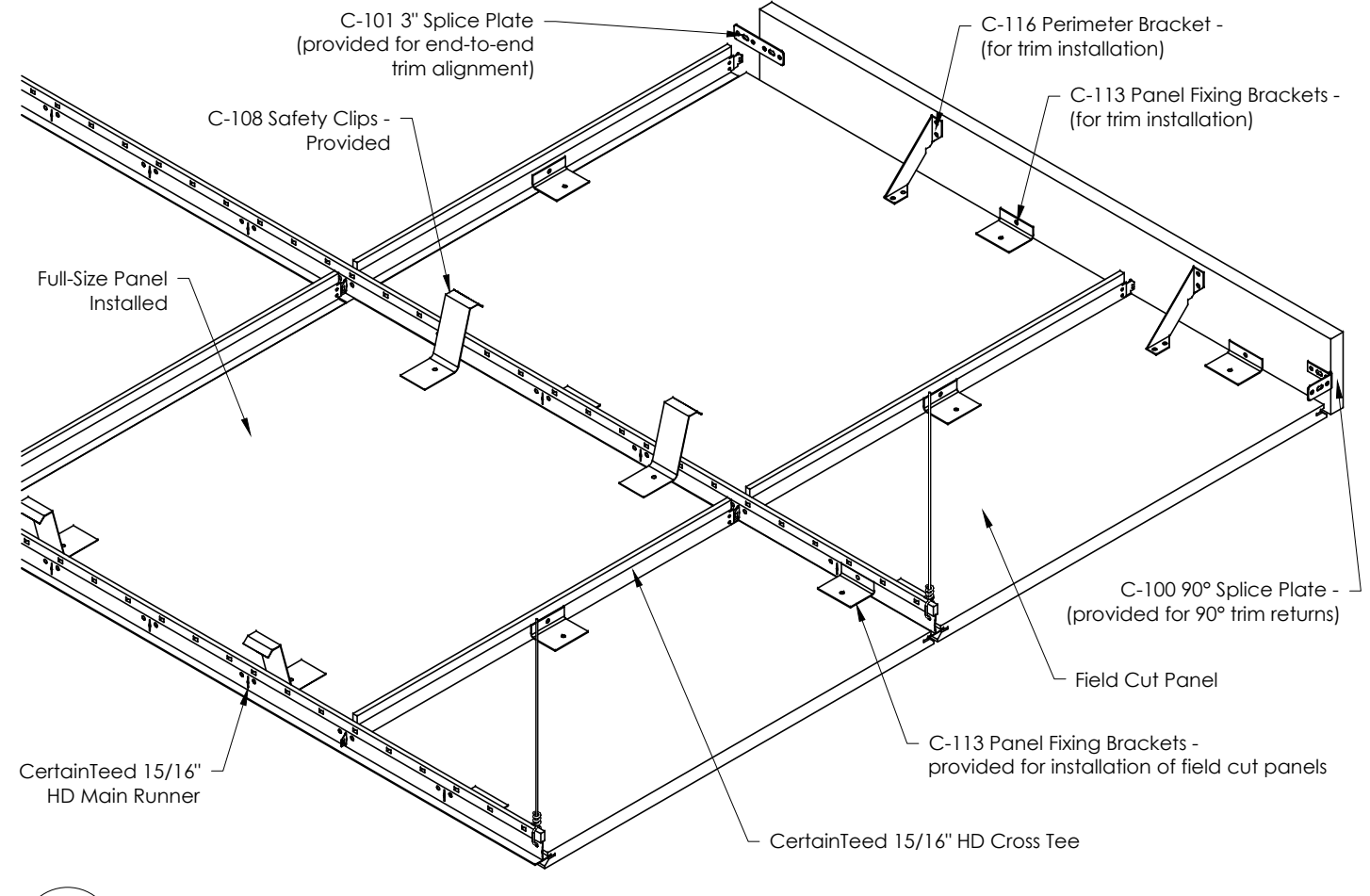
DATE	DRWN	CHECK
3/2/20	J.A.	D.T.

SHEET NO.

PD-10

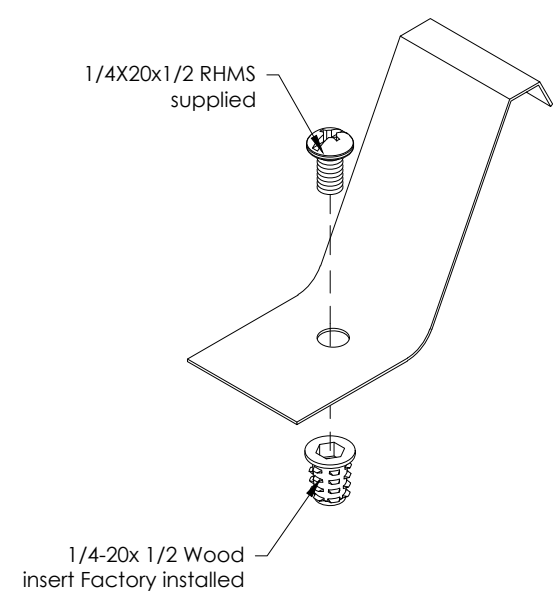


A 5205 U1 Isometric Installation Diagram View
Scale: N.T.S.



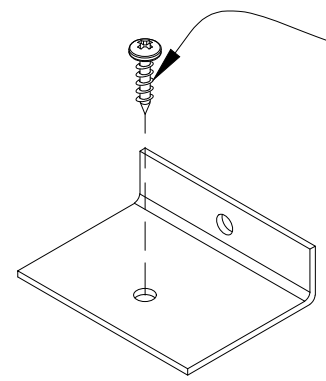
B 5205 U1 Isometric Installation Field Cut Diagram View With Perimeter Trim
Scale: N.T.S.

C-108: Safety Clip



Safety Clips are provided, a minimum of 4 per panel and MUST be installed. These are designed to prevent panels from dropping when disengaged from the grid. Threaded inserts are factory installed in each panel, 1/4-20 screws are supplied for field installation.

C-113: Panel Fixing Bracket

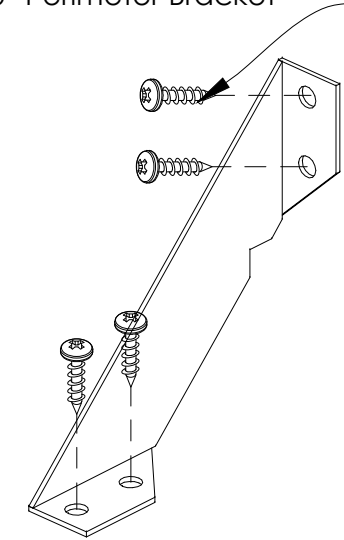


*Quantity per panel to be determined in field, but a minimum of 2 per panel recommended to prevent panel movement.

Panels must be fixed with the Panel Fixing Brackets at following conditions:

1. Anytime a panel is field modified, including modifications made for light fixtures, HVAC diffusers or sprinkler heads.
2. When the ceiling plan is not perfectly horizontal.
3. Any non-standard panels, including factory supplied panels that are over-sized or provided with pre-drilled holes for ceiling fixtures, such as lights.

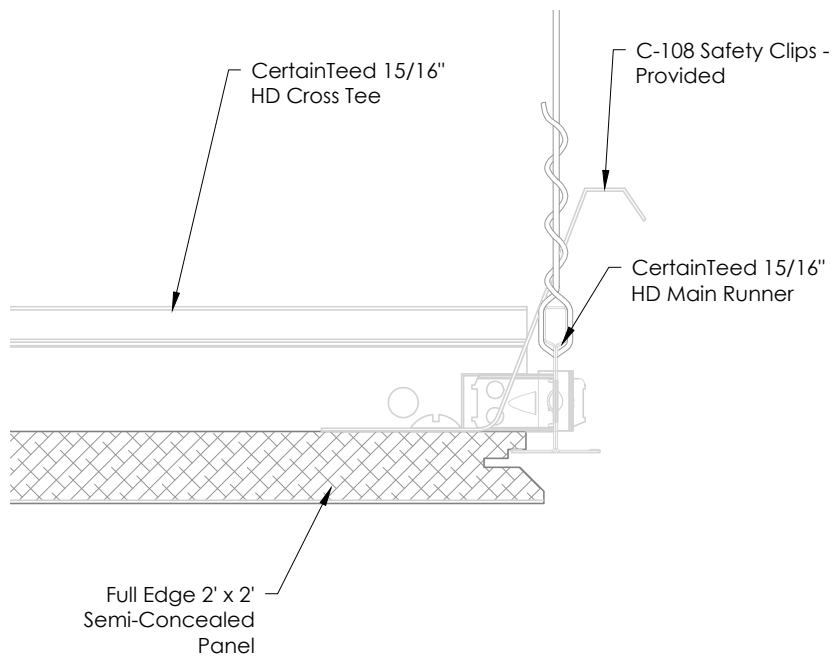
C-116: 90° Perimeter Bracket



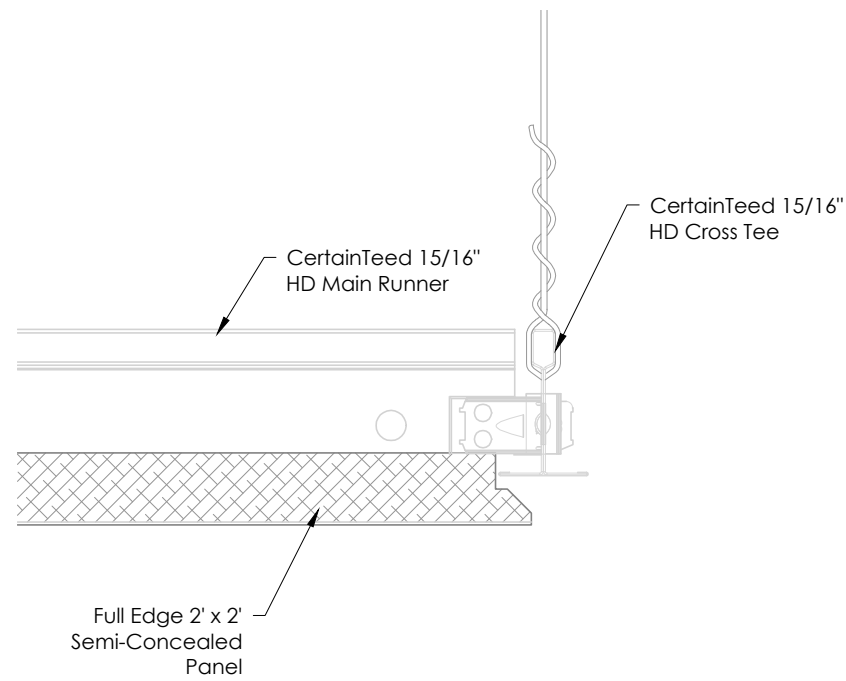
(4) 6x1/2 Serrated Thread Pan Head, Phillips wood screws supplied to secure perimeter bracket to wood panel and trim.

Perimeter Brackets are provided one per linear foot of trim. These are designed to mount perimeter trim to the wood ceiling modules

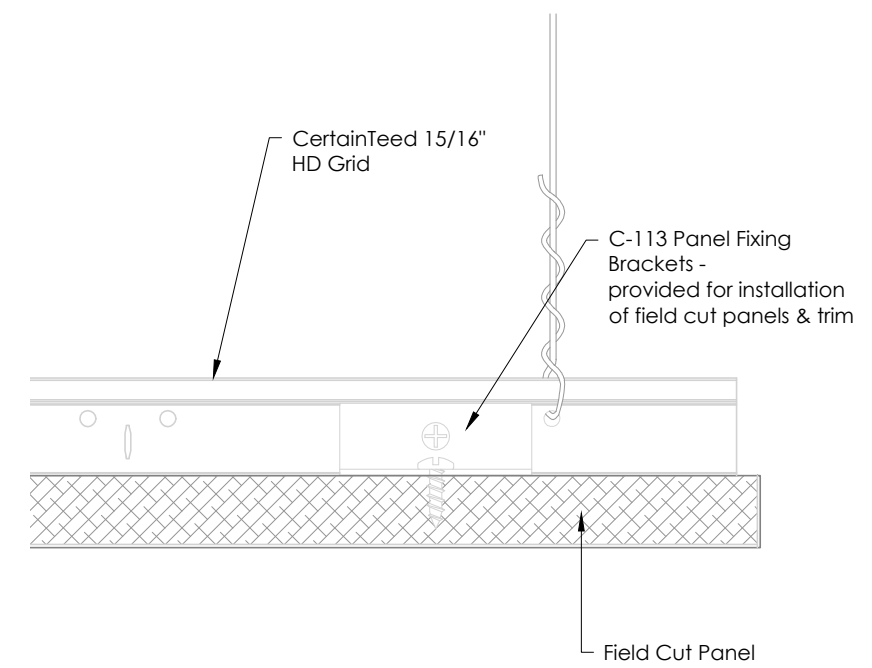
C-101 (3" Splice Plates) & C-100 (90° Splice Plates) are also provided with trim applications for installation.



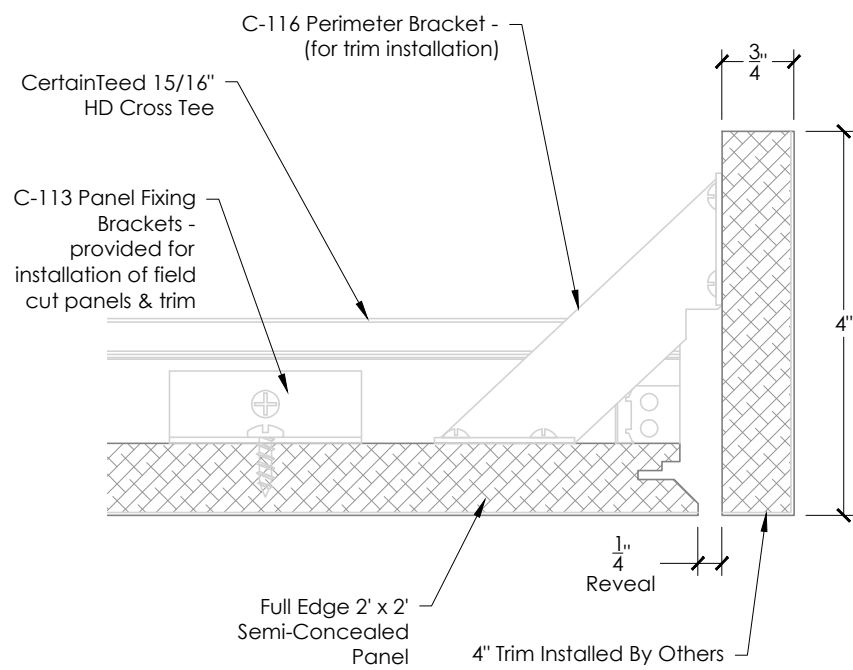
A 5205 U1 Perimeter B-Edge Detail
 PD-11 Scale: 6"=1'-0"



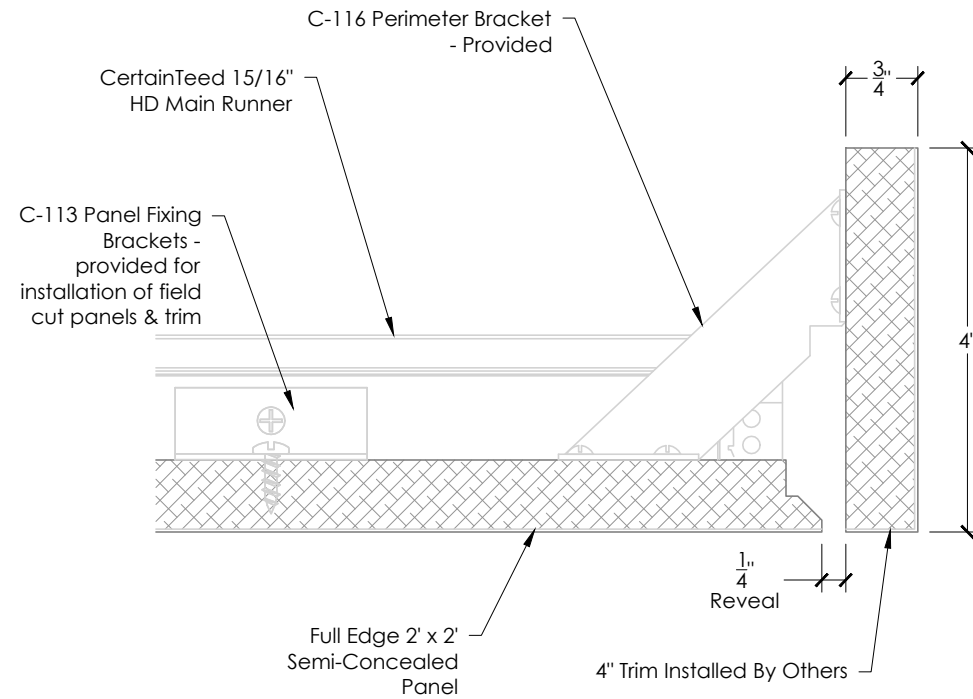
B 5205 U1 Perimeter C-Edge Detail
 PD-11 Scale: 6"=1'-0"



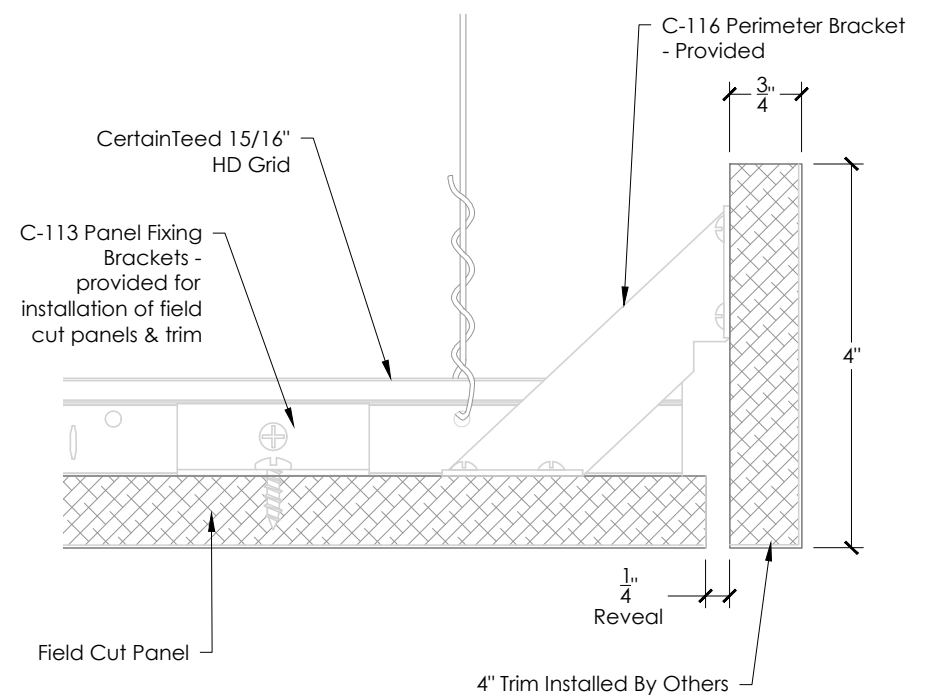
C 5205 U1 Perimeter Field Cut Detail
 PD-11 Scale: 6"=1'-0"



D 5205 U1 Perimeter Trim B-Edge Detail
 PD-11 Scale: 6"=1'-0"



E 5205 U1 Perimeter Trim C-Edge Detail
 PD-11 Scale: 6"=1'-0"



F 5205 U1 Perimeter Trim Field Cut Detail
 PD-11 Scale: 6"=1'-0"

DATE	REVISIONS	#

PROJECT TITLE

PROJECT LOCATION

SHEET REFERENCE

PRODUCT

SHEET TITLE
 PERIMETER DETAILS

DATE	DRWN	CHECK
3/2/20	J.A.	D.T.

SHEET NO.

PD-11

These drawings show typical conditions for installing the CertainTeed Ceilings product shown. They should not be construed as a substitute for an architectural or engineering design and do not reflect the unique requirements of local codes, laws, statutes or regulations that may be applicable for a specific installation. CertainTeed Ceilings assumes no liability for the accuracy or completeness of the drawings for a specific installation or the fitness of the drawings for a particular purpose. The user is advised to consult with local licenced design professionals in order to assure compliance with all legal requirements. CertainTeed Ceilings is not licenced to provide professional engineering or architectural services.