

Ceiling Panelized Linear Product Specifications

| | |
|-----------------|--|
| Type: | Panelized Linear |
| Module: | Nominal Size (24" x 96") |
| Board Specs.: | 3/4" X 4 Boards (5-1/4") |
| Reveal Type: | Open |
| Core: | 3/4" Composite Wood |
| Veneer Species: | Veneer/Species |
| Finish: | Clear Topcoat, 20% sheen |
| Rating: | Class A per ASTM E84 (Composite Wood) |
| Mounting: | Direct Mount Attached to CertainTeed 15/16" HD Suspension System |
| Accessories: | Acoustical Felt/Fleece (Optional) |

Product Detail Set Contents:

PD-01: Product Details and Basic Installation
 A. Panel Section View
 B. Panel Back View
 C. Installation Diagram Isometric View

PD-10: Typical Suspension System Layout
 A. Typical Suspension System Layout Isometric View

PD-11: Typical Installation Details
 A. Open Reveal Perimeter Edge Detail - Parallel
 B. Open Reveal Perimeter Edge Detail - Perpendicular
 C. Installation Field Cut Diagram Isometric View

PD-12: Alternate Perimeter Options
 A. Continuous Shadow Molding
 B. Continuous Wall Angle
 C. Floating Edge Detail - Parallel
 D. Floating Edge Detail - Perpendicular

See PD-13, PD-14, PD-15: Panel Mounted Perimeter Trim Installation
 See PD-16, PD-17, PD-18 for Suspension System Mounted Perimeter Trim

PD-13: Panel Mounted Perimeter Trim Installation
 (see PD-16, PD-17, PD-18 for Suspension System Mounted Perimeter Trim)
 A. Panel Mounted Perimeter Trim Detail - Parallel
 B. Panel Mounted Perimeter Trim Detail - Perpendicular
 C. Panel Mounted Trim Installation Back View

PD-14: Panel Mounted Perimeter Trim Installation
 (see PD-16, PD-17, PD-18 for Suspension System Mounted Perimeter Trim)
 A. Panel Mounted Perimeter Trim Installation Isometric Back View

PD-15: Panel Mounted Perimeter Trim Installation
 (see PD-16, PD-17, PD-18 for Suspension System Mounted Perimeter Trim)
 A. Panel Mounted Perimeter Trim Installation Isometric Face View

PD-16: Suspension System Mounted Perimeter Trim Installation
 (see PD-13, PD-14, PD-15) for Panel Mounted Perimeter Trim)
 A. Suspension System Mounted Perimeter Trim Detail - Parallel.
 B. Suspension System Mounted Perimeter Trim Detail - Perpendicular.
 C. Suspension System Mounted Trim Installation Back View

PD-17: Suspension System Mounted Perimeter Trim Installation
 (see PD-13, PD-14, PD-15 for Panel Mounted Perimeter Trim)
 A. Suspension System Mounted Perimeter Trim Installation Isometric Back View


PD-18: Suspension System Mounted Perimeter Trim Installation
 (see PD-13, PD-14, PD-15 for Panel Mounted Perimeter Trim)
 A. Suspension System Mounted Perimeter Trim Installation Isometric Face View

PD-19: Fixture Integration and Access Panels.
 A. Enlarged Back View at Maintenance Panel.
 B. Maintenance Panel Detail - Perpendicular.
 C. Maintenance Panel Detail - Parallel.
 D. Linear Light Fixture Detail - Parallel.
 E. Light Fixture Detail - Parallel
 F. **Sprinkler Detail**

PD-20: Horizontal Direct Mount Wall Installation.
 A. Horizontal Direct Mount Attachment to Wall Furring.
 B. Horizontal Direct Mount Attachment to Wall Furring Section

PD-21: Vertical Direct Mount Wall Installation.
 A. Vertical Direct Mount Attachment to Wall Furring.
 B. Vertical Direct Mount Attachment to Wall Furring Section

PD-22: CISCA Tolerances, Product Notes, and Ordering Notes



The mark of responsible forestry
 FSC® C151918 Certificate Code: SCS-COC-006960

CertainTeed Ceiling Corporation
 20 Moores Road
 Malvern, PA 19355
 800-233-8990

Only the products that are identified as such on this document are FSC® certified

ARCHITECT

CUSTOMER

REPRESENTATIVE

| | | | | | | | |
|-----------|--|--|--|--|--|--|--|
| DATE | | | | | | | |
| REVISIONS | | | | | | | |
| # | | | | | | | |

PROJECT TITLE

PROJECT LOCATION

SHEET REFERENCE
6320L6 Panelized Linear

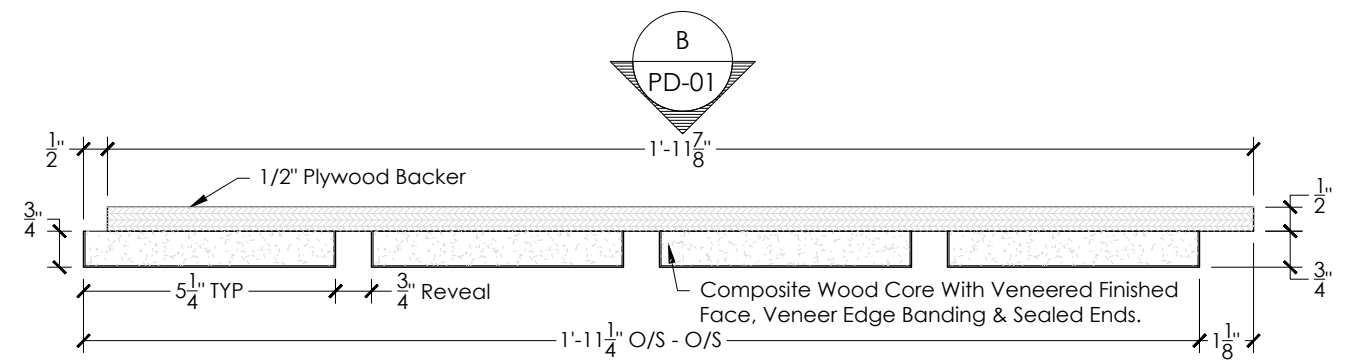
PRODUCT
Ceiling Panelized Linear

SHEET TITLE
Panelized Linear 6320L6 Product Detail Set

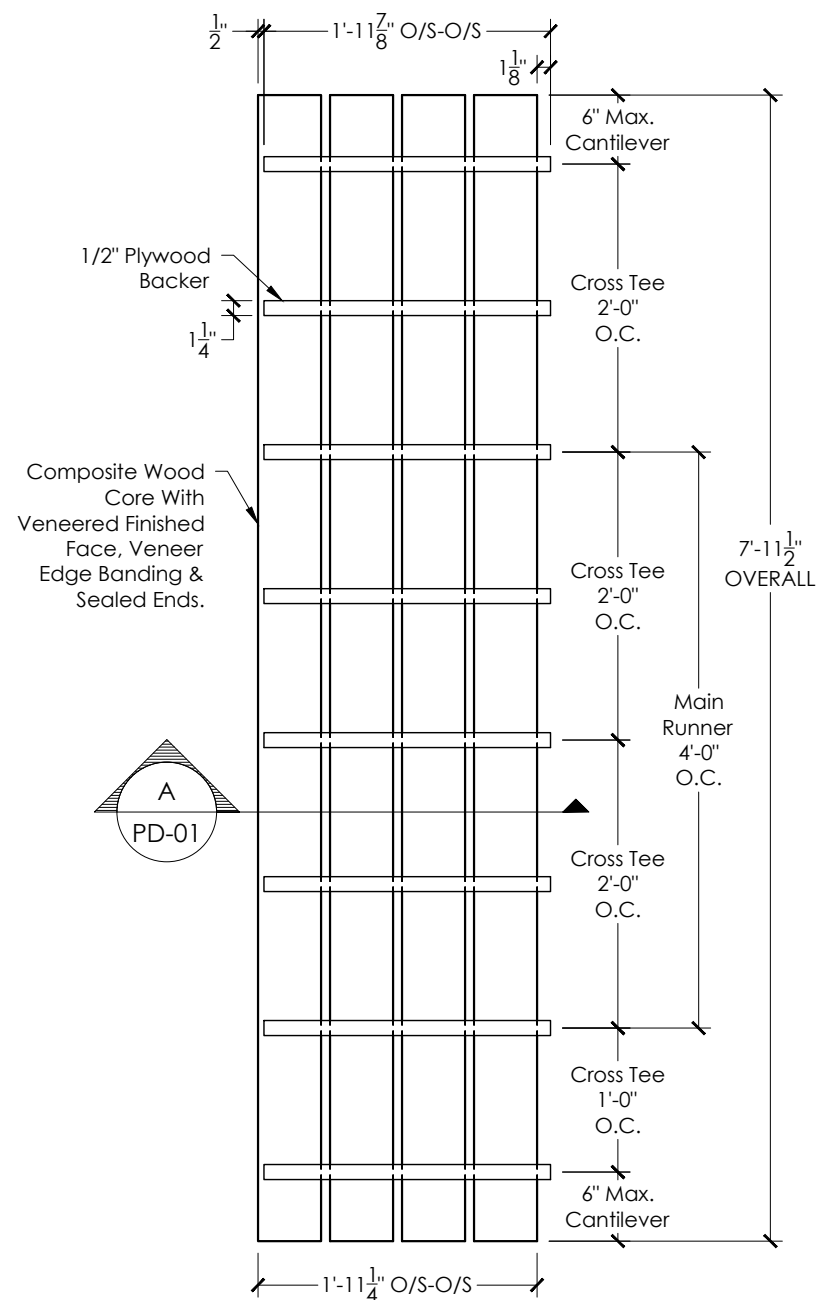
| | | |
|------------------|--------------|---------------|
| DATE 02/12/21 | DRWN A.D. | CHECK Z.D. |
|------------------|--------------|---------------|

SHEET NO.
PD-00

These drawings show typical conditions for installing the CertainTeed Ceilings product shown. They should not be construed as a substitute for an architectural or engineering design and do not reflect the unique requirements of local codes, laws, statutes or regulations that may be applicable for a specific installation. CertainTeed Ceilings assumes no liability for the accuracy or completeness of the drawings for a specific installation or the fitness of the drawings for a particular purpose. The user is advised to consult with local licenced design professionals in order to assure compliance with all legal requirements. CertainTeed Ceilings is not licenced to provide professional engineering or architectural services.



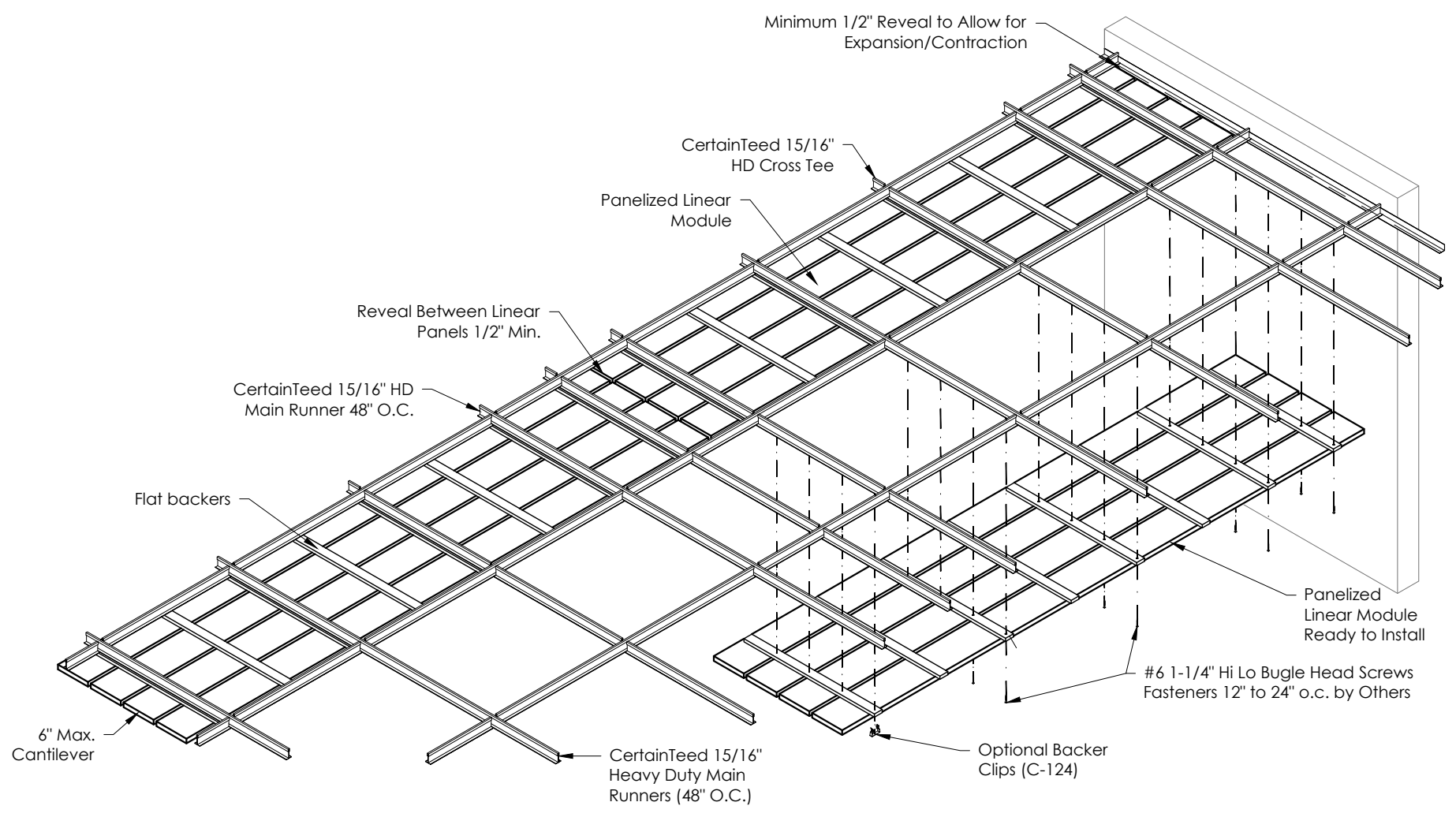
A 6320L6 Panel Section View
 PD-01
 Scale: 3"=1'-0"



B 6320L6 Panel Back View
 PD-01
 Scale: 3/4"=1'-0"

Ceiling Panelized Linear Product Specifications

| | |
|-----------------|--|
| Type: | Panelized Linear |
| Module: | Nominal Size (24" x 96") |
| Board Specs.: | 3/4" X 4 Boards (5-1/4") |
| Reveal Type: | Open |
| Core: | 3/4" Composite Wood |
| Veneer Species: | Veneer/Species |
| Finish: | Clear Topcoat, 20% sheen |
| Rating: | Class A per ASTM E84 |
| Mounting: | Direct Mount Attached to CertainTeed 15/16" HD Suspension System |
| Accessories: | Acoustical Felt/Fleece (Optional) |



C 6320L6 Isometric Installation Diagram View
 PD-01
 Scale: 1/2"=1'-0"

Only the products that are identified as such on this document are FSC® certified

ARCHITECT

CUSTOMER

REPRESENTATIVE

| DATE | REVISIONS | # |
|------|-----------|---|
| | | |
| | | |
| | | |
| | | |
| | | |

PROJECT TITLE

PROJECT LOCATION

SHEET REFERENCE
 6320L6 Panelized Linear

PRODUCT
 Ceiling Panelized Linear

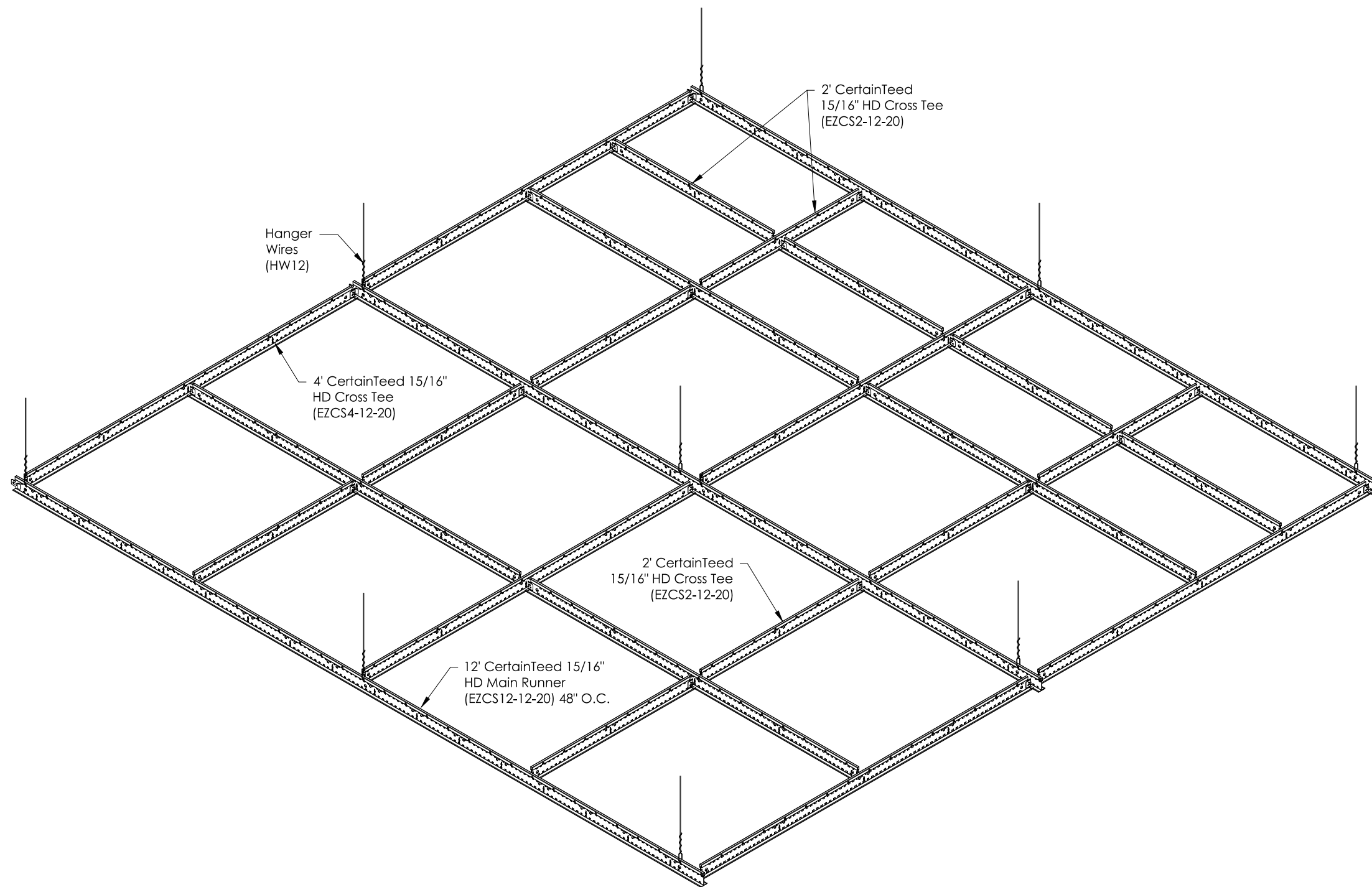
SHEET TITLE
 Product Details and Basic Installation

| | | |
|----------|------|-------|
| DATE | DRWN | CHECK |
| 02/12/21 | A.D. | Z.D. |

SHEET NO.

PD-01

These drawings show typical conditions for installing the CertainTeed Ceilings product shown. They should not be construed as a substitute for an architectural or engineering design and do not reflect the unique requirements of local codes, laws, statutes or regulations that may be applicable for a specific installation. CertainTeed Ceilings assumes no liability for the accuracy or completeness of the drawings for a specific installation or the fitness of the drawings for a particular purpose. The user is advised to consult with local licenced design professionals in order to assure compliance with all legal requirements. CertainTeed Ceilings is not licenced to provide professional engineering or architectural services.



A 6320L6 Typical Suspension System Layout Isometric View
 PD-10

Scale: 1/2"=1'-0"

Only the products that are identified as such on this document are FSC® certified

ARCHITECT

CUSTOMER

REPRESENTATIVE

| DATE | REVISIONS | # | | | | |
|------|-----------|---|--|--|--|--|
| | | | | | | |
| | | | | | | |
| | | | | | | |
| | | | | | | |
| | | | | | | |

PROJECT TITLE

PROJECT LOCATION

SHEET REFERENCE
 6320L6 Panelized Linear

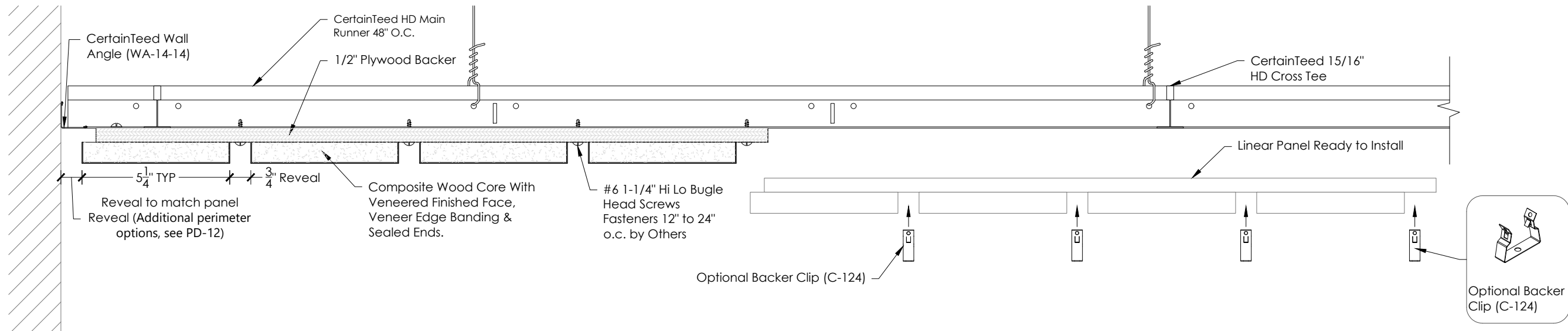
PRODUCT
 Ceiling Panelized Linear

SHEET TITLE
 Typical Suspension System Layout

| | | |
|----------|------|-------|
| DATE | DRWN | CHECK |
| 02/12/21 | A.D. | Z.D. |

SHEET NO.

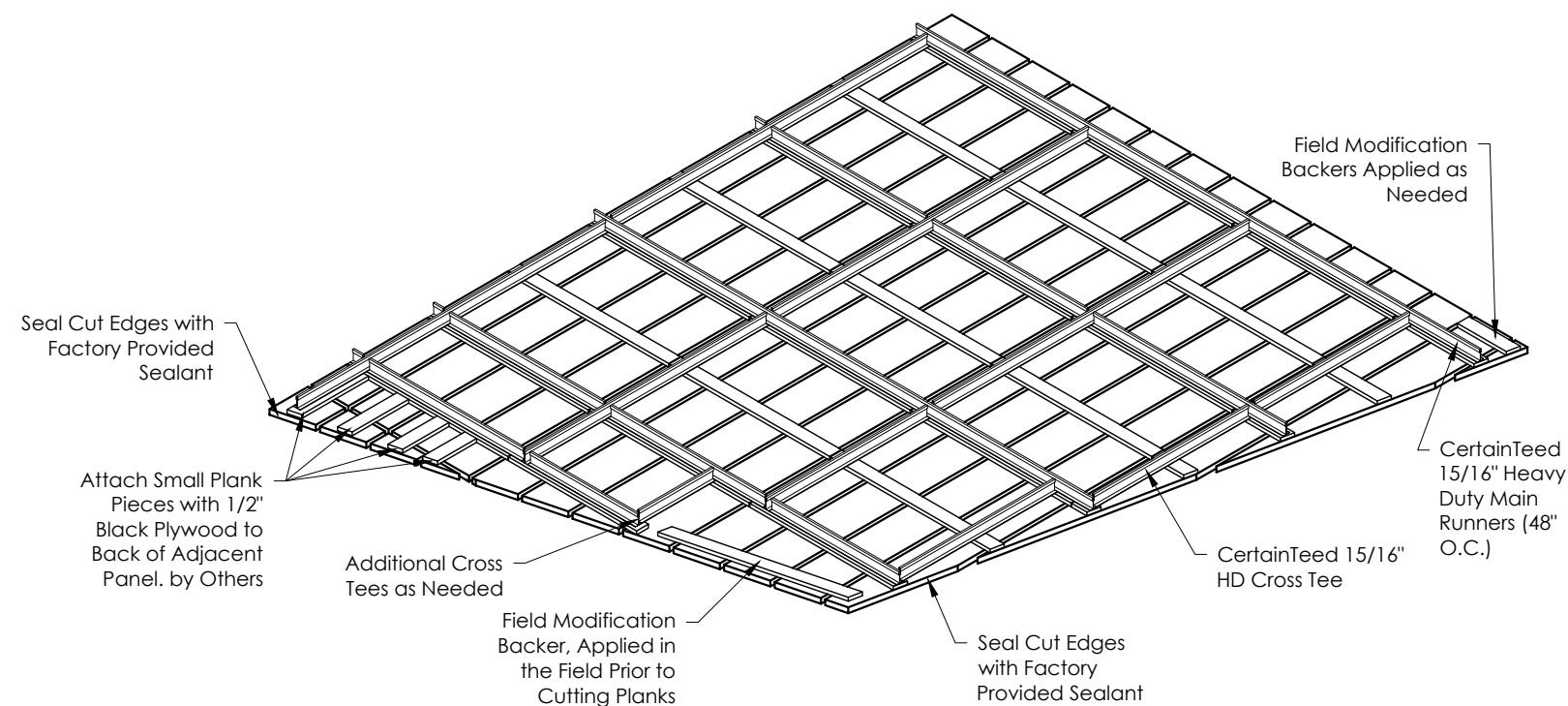
PD-10



A 6320L6 Open Reveal Perimeter Edge Detail - Parallel

PD-11

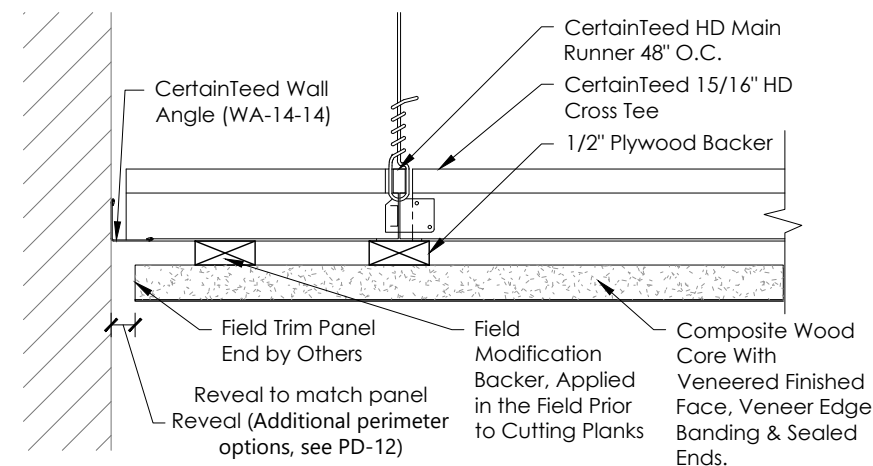
Scale: 3"=1'-0"



C 6320L6 Installation Field Cut Diagram Isometric View

PD-11

Scale: 1/2"=1'-0"



B 6320L6 Open Reveal Perimeter Edge Detail - Perpendicular

PD-11

Scale: 3"=1'-0"

Grid Guidelines:

Install panels by attaching with fasteners directly through flat backers into CertainTeed Heavy Duty Main Runners and parallel Cross Tees every 24" O.C., or use optional Backer Clip (C-124).

Maximum cantilever from plank end to last Main Tee is 6". Note that additional Main Runners or Cross Tees may be needed in certain configurations.

Cross Tee Required 24" O.C. between Main Runners.

Field modified panels must attach to a minimum of (2) Main Runners - or use alternative attachment method. Loose backers provided for field modified panels.

ARCHITECT

CUSTOMER

REPRESENTATIVE

| DATE | REVISIONS | # |
|------|-----------|---|
| | | |
| | | |
| | | |
| | | |
| | | |
| | | |
| | | |
| | | |
| | | |

PROJECT TITLE

PROJECT LOCATION

SHEET REFERENCE
6320L6 Panelized Linear

PRODUCT
Ceiling Panelized Linear

SHEET TITLE
Typical Installation Details

| | | |
|----------|------|-------|
| DATE | DRWN | CHECK |
| 02/12/21 | A.D. | Z.D. |

SHEET NO.

PD-11

ARCHITECT

CUSTOMER

REPRESENTATIVE

| DATE | | | | | |
|-----------|--|--|--|--|--|
| | | | | | |
| REVISIONS | | | | | |
| | | | | | |
| # | | | | | |

PROJECT TITLE

PROJECT LOCATION

SHEET REFERENCE
6320L6 Panelized Linear

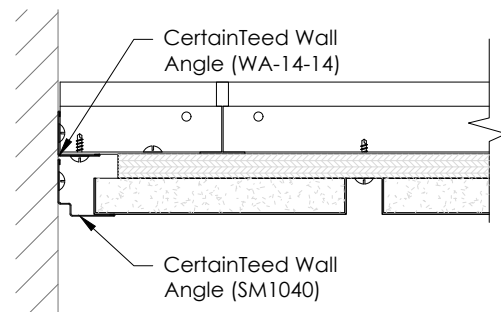
PRODUCT
Ceiling Panelized Linear

SHEET TITLE
Alternate Perimeter Options

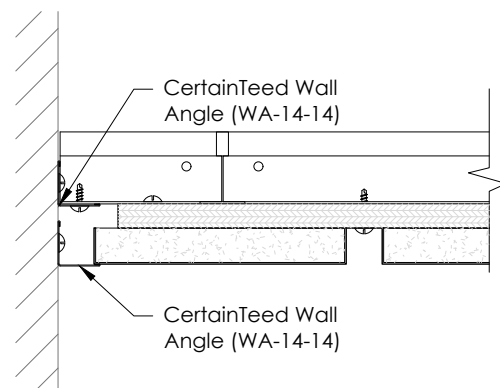
| | | |
|----------|------|-------|
| DATE | DRWN | CHECK |
| 02/12/21 | A.D. | Z.D. |

SHEET NO.

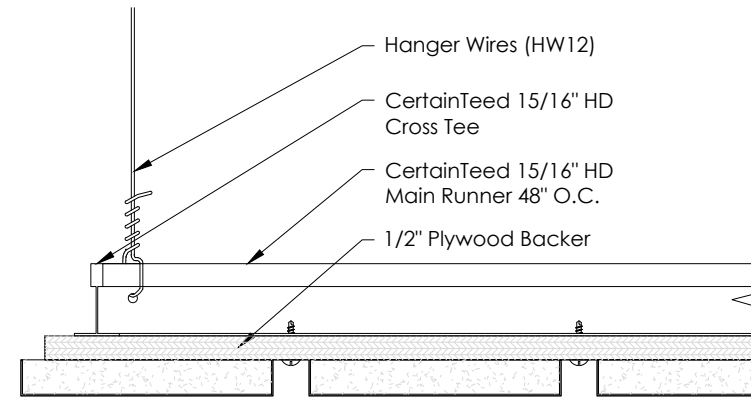
PD-12



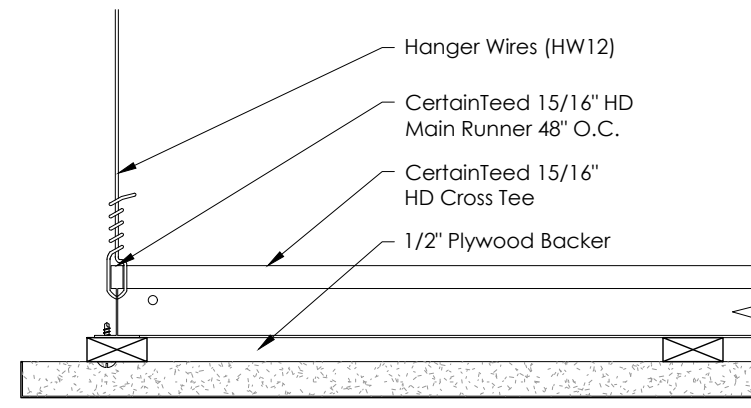
A 6320L6 Continuous Shadow Molding
PD-12 Scale: 3"=1'-0"



B 6320L6 Continuous Wall Angle
PD-12 Scale: 3"=1'-0"



C 6320L6 Floating Edge Detail - Parallel
PD-12 Scale: 3"=1'-0"



D 6320L6 Floating Edge Detail - Perpendicular
PD-12 Scale: 3"=1'-0"

| DATE | REVISIONS | # |
|------|-----------|---|
| | | |
| | | |
| | | |
| | | |
| | | |
| | | |
| | | |
| | | |
| | | |

PROJECT TITLE

PROJECT LOCATION

SHEET REFERENCE
6320L6 Panelized Linear

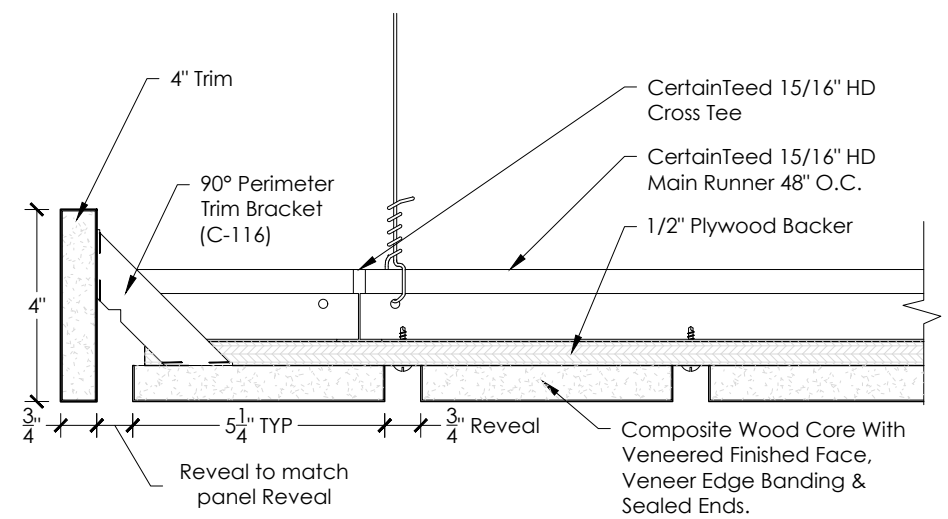
PRODUCT
Ceiling Panelized Linear

SHEET TITLE
Panel Mounted Perimeter Trim Installation (see PD-16, PD-17, PD-18 for Suspension System Mounted Perimeter Trim)

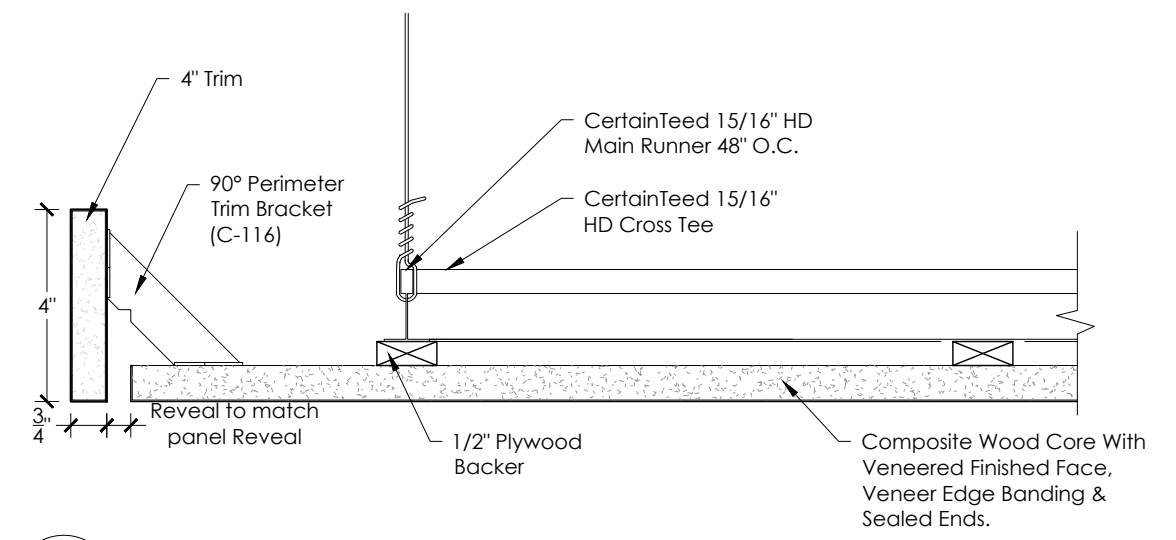
| DATE | DRWN | CHECK |
|----------|------|-------|
| 02/12/21 | A.D. | Z.D. |

SHEET NO.

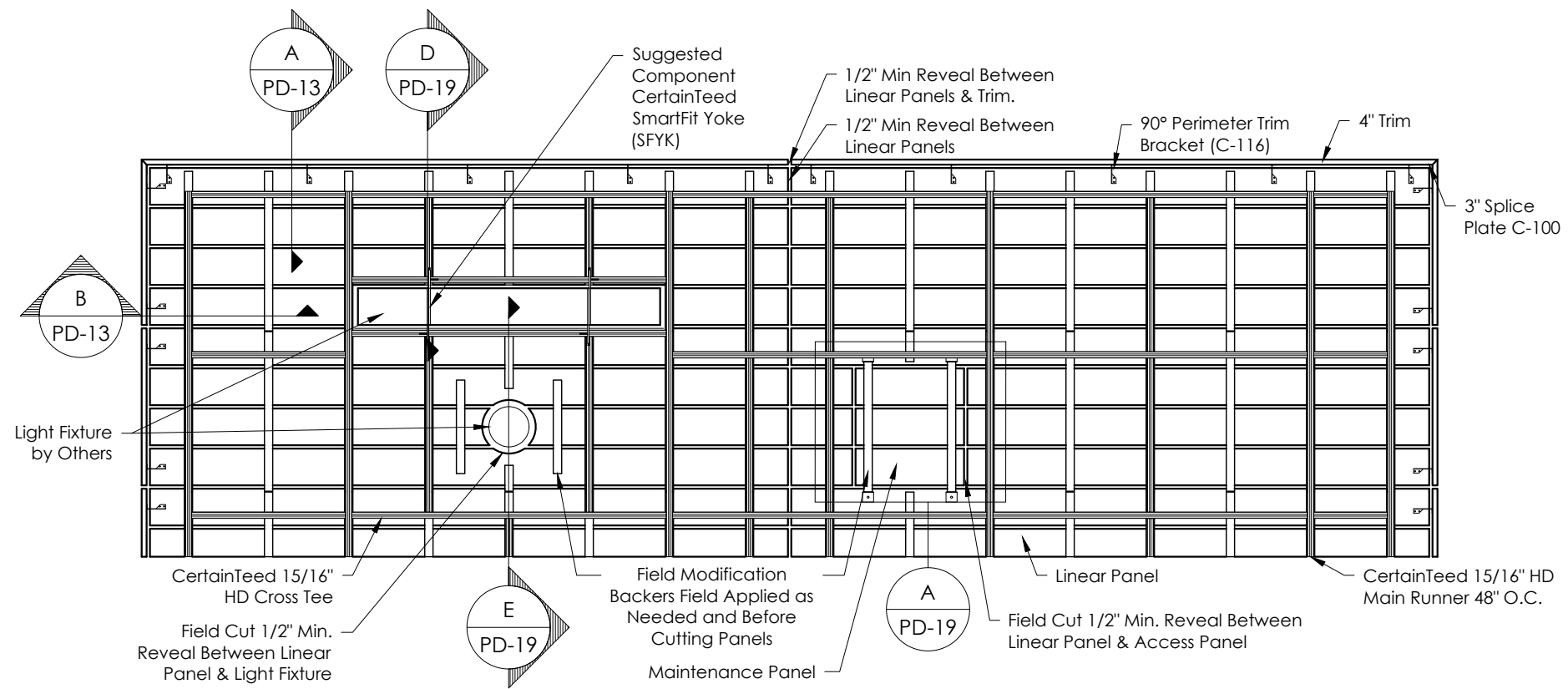
PD-13



A 6320L6 Panel Mounted Perimeter Trim Detail - Parallel
PD-13 Scale: 3"=1'-0"



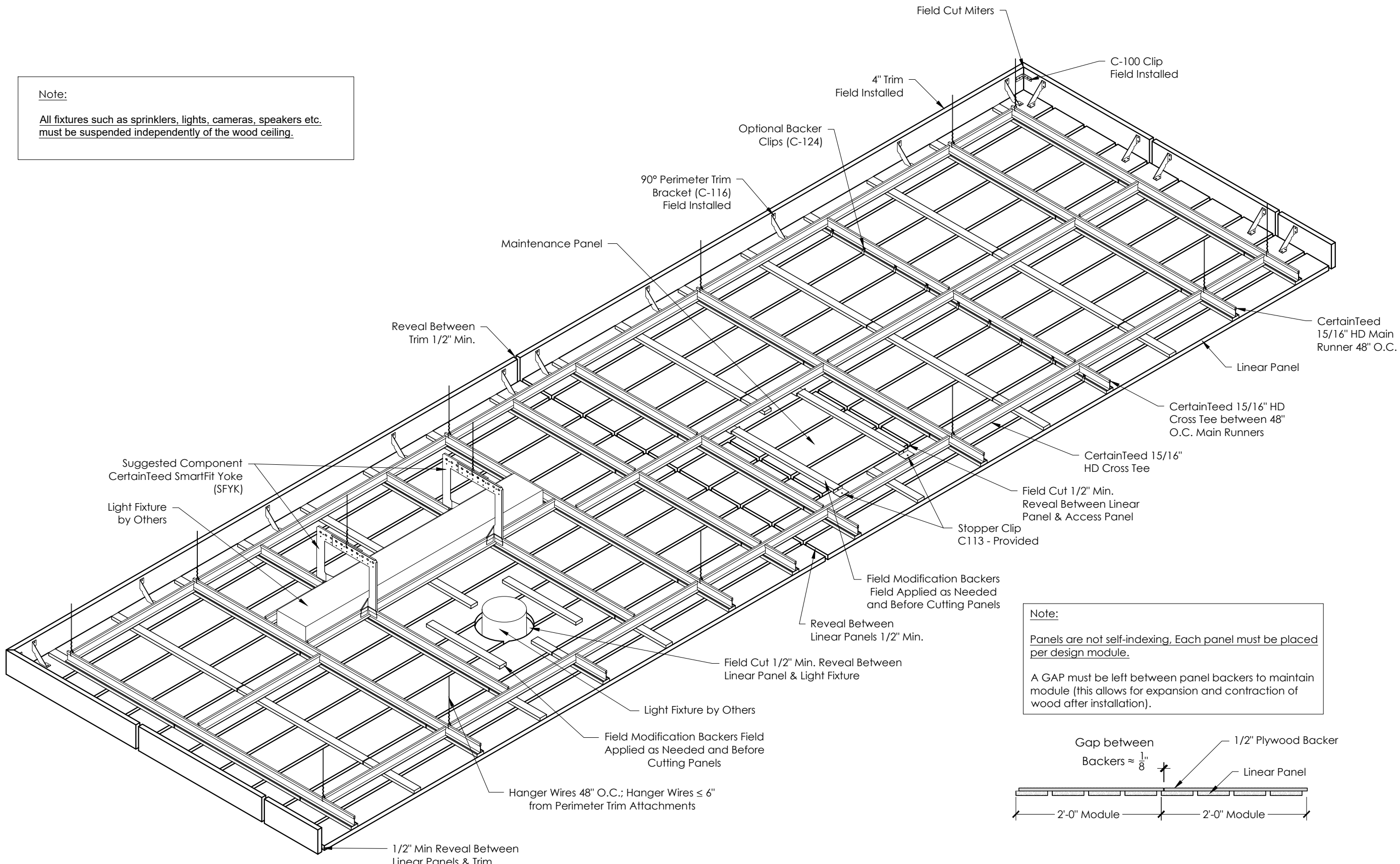
B 6320L6 Panel Mounted Perimeter Trim Detail - Perpendicular
PD-13 Scale: 3"=1'-0"



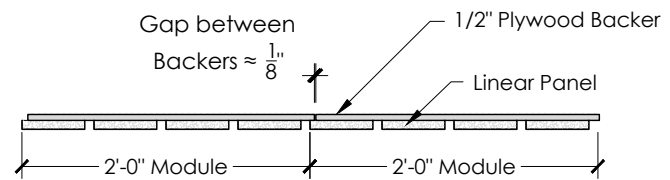
C 6320L6 Panel Mounted Trim Installation Back View
PD-13 Scale: 1/2"=1'-0"

These drawings show typical conditions for installing the CertainTeed Ceilings product shown. They should not be construed as a substitute for an architectural or engineering design and do not reflect the unique requirements of local codes, laws, statutes or regulations that may be applicable for a specific installation. CertainTeed Ceilings assumes no liability for the accuracy or completeness of the drawings for a specific installation or the fitness of the drawings for a particular purpose. The user is advised to consult with local licenced design professionals in order to assure compliance with all legal requirements. CertainTeed Ceilings is not licenced to provide professional engineering or architectural services.

Note:
 All fixtures such as sprinklers, lights, cameras, speakers etc. must be suspended independently of the wood ceiling.



Note:
 Panels are not self-indexing, Each panel must be placed per design module.
 A GAP must be left between panel backers to maintain module (this allows for expansion and contraction of wood after installation).



Only the products that are identified as such on this document are FSC® certified

| |
|----------------|
| ARCHITECT |
| CUSTOMER |
| REPRESENTATIVE |

| | | | | | |
|-----------|--|--|--|--|--|
| DATE | | | | | |
| REVISIONS | | | | | |
| # | | | | | |

PROJECT TITLE

PROJECT LOCATION

SHEET REFERENCE
 6320L6 Panelized Linear

PRODUCT
 Ceiling Panelized Linear

SHEET TITLE
 Panel Mounted Perimeter Trim Installation (see PD-16, PD-17, PD-18 for Suspension System Mounted Perimeter Trim)

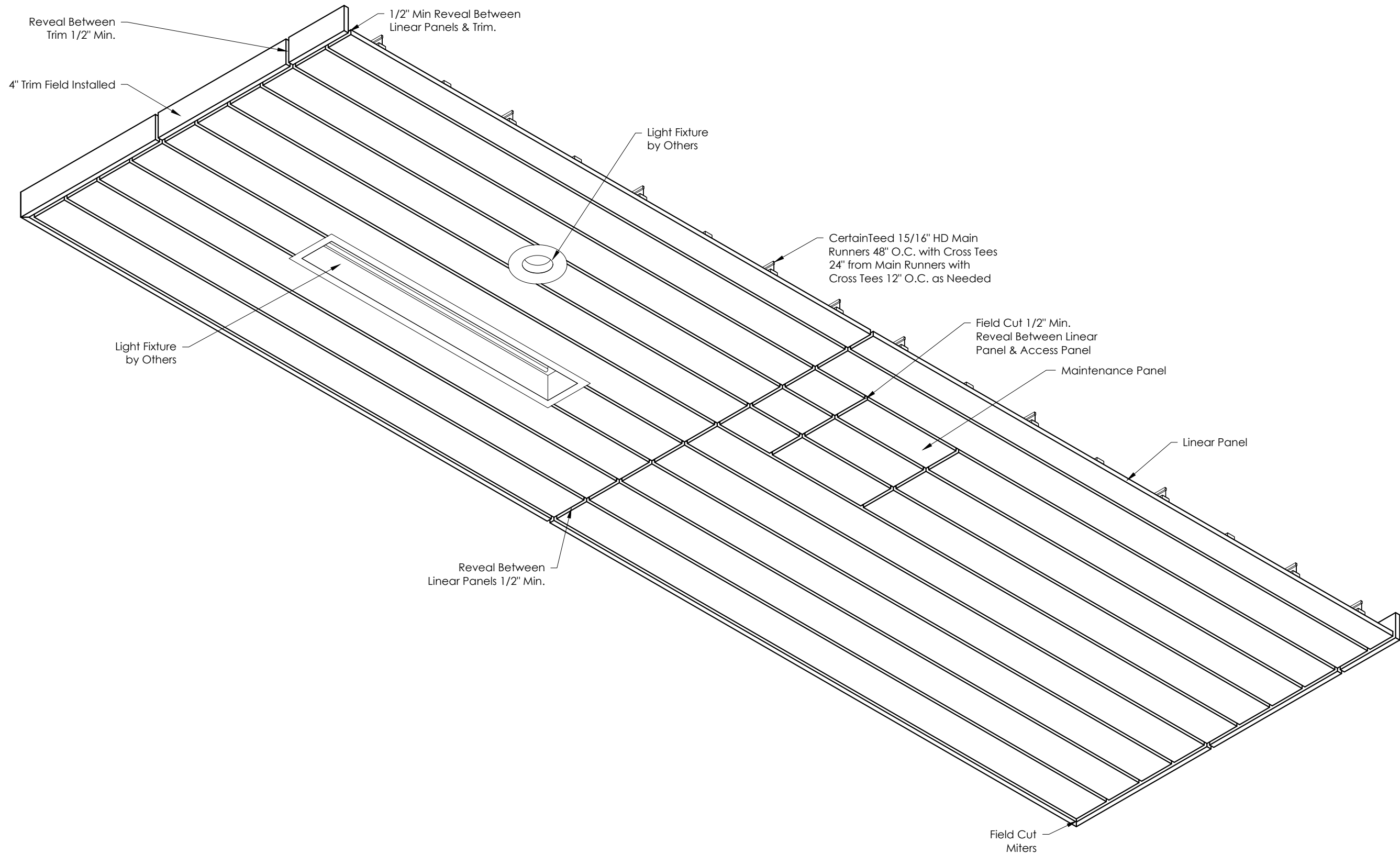
| | | |
|----------|------|-------|
| DATE | DRWN | CHECK |
| 02/12/21 | A.D. | Z.D. |

SHEET NO.
PD-14

A 6320L6 Panel Mounted Isometric Trim Installation Back View
 PD-14

Scale: 3/4"=1'-0"

These drawings show typical conditions for installing the CertainTeed Ceilings product shown. They should not be construed as a substitute for an architectural or engineering design and do not reflect the unique requirements of local codes, laws, statutes or regulations that may be applicable for a specific installation. CertainTeed Ceilings assumes no liability for the accuracy or completeness of the drawings for a specific installation or the fitness of the drawings for a particular purpose. The user is advised to consult with local licenced design professionals in order to assure compliance with all legal requirements. CertainTeed Ceilings is not licenced to provide professional engineering or architectural services.



A 6320L6 Panel Mounted Perimeter Trim Installation Isometric Face View
 PD-15

Scale: 3/4"=1'-0"

Only the products that are identified as such on this document are FSC® certified

ARCHITECT

CUSTOMER

REPRESENTATIVE

| DATE | REVISIONS | # | | | | |
|------|-----------|---|--|--|--|--|
| | | | | | | |
| | | | | | | |
| | | | | | | |
| | | | | | | |
| | | | | | | |

PROJECT TITLE

PROJECT LOCATION

SHEET REFERENCE
 6320L6 Panelized Linear

PRODUCT
 Ceiling Panelized Linear

SHEET TITLE
 Panel Mounted Perimeter Trim Installation (see PD-16, PD-17, PD-18 for Suspension System Mounted Perimeter Trim)

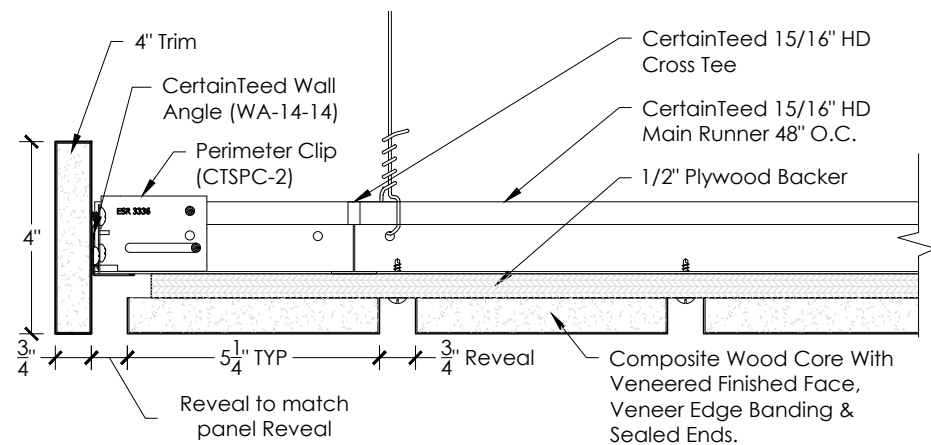
| DATE | DRWN | CHECK |
|----------|------|-------|
| 02/12/21 | A.D. | Z.D. |

SHEET NO.

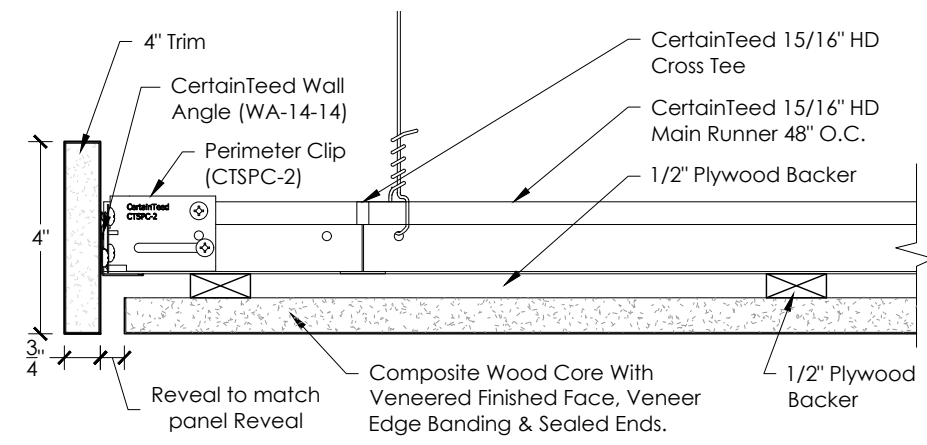
PD-15

These drawings show typical conditions for installing the CertainTeed Ceilings product shown. They should not be construed as a substitute for an architectural or engineering design and do not reflect the unique requirements of local codes, laws, statutes or regulations that may be applicable for a specific installation. CertainTeed Ceilings assumes no liability for the accuracy or completeness of the drawings for a specific installation or the fitness of the drawings for a particular purpose. The user is advised to consult with local licenced design professionals in order to assure compliance with all legal requirements. CertainTeed Ceilings is not licenced to provide professional engineering or architectural services.

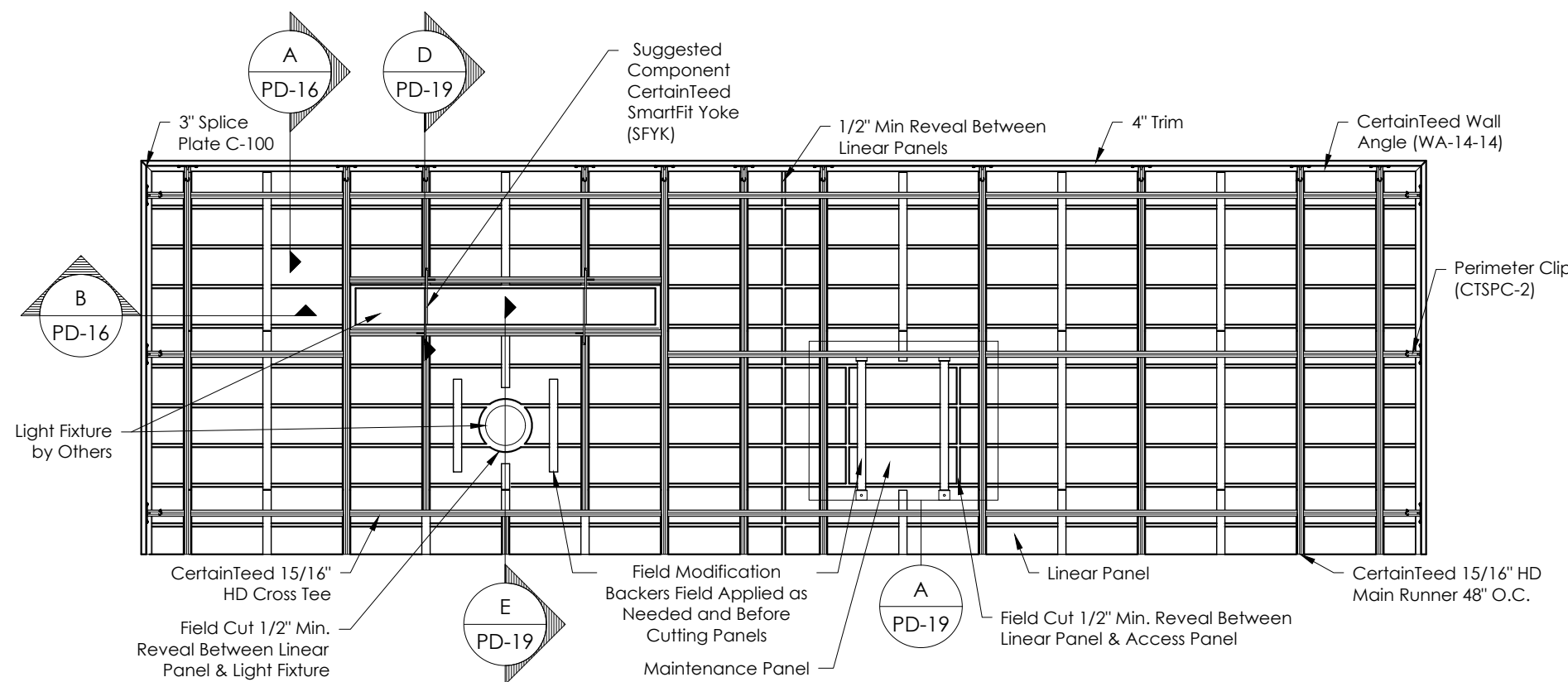
| DATE | REVISIONS | # |
|------|-----------|---|
| | | |
| | | |
| | | |
| | | |
| | | |
| | | |
| | | |
| | | |
| | | |



A 6320L6 Suspension System Mounted Perimeter Trim Detail - Parallel
Optional Trim Attachment Scale: 3"=1'-0"



B 6320L6 Suspension System Perimeter Trim Detail - Perpendicular
Optional Trim Attachment Scale: 3"=1'-0"

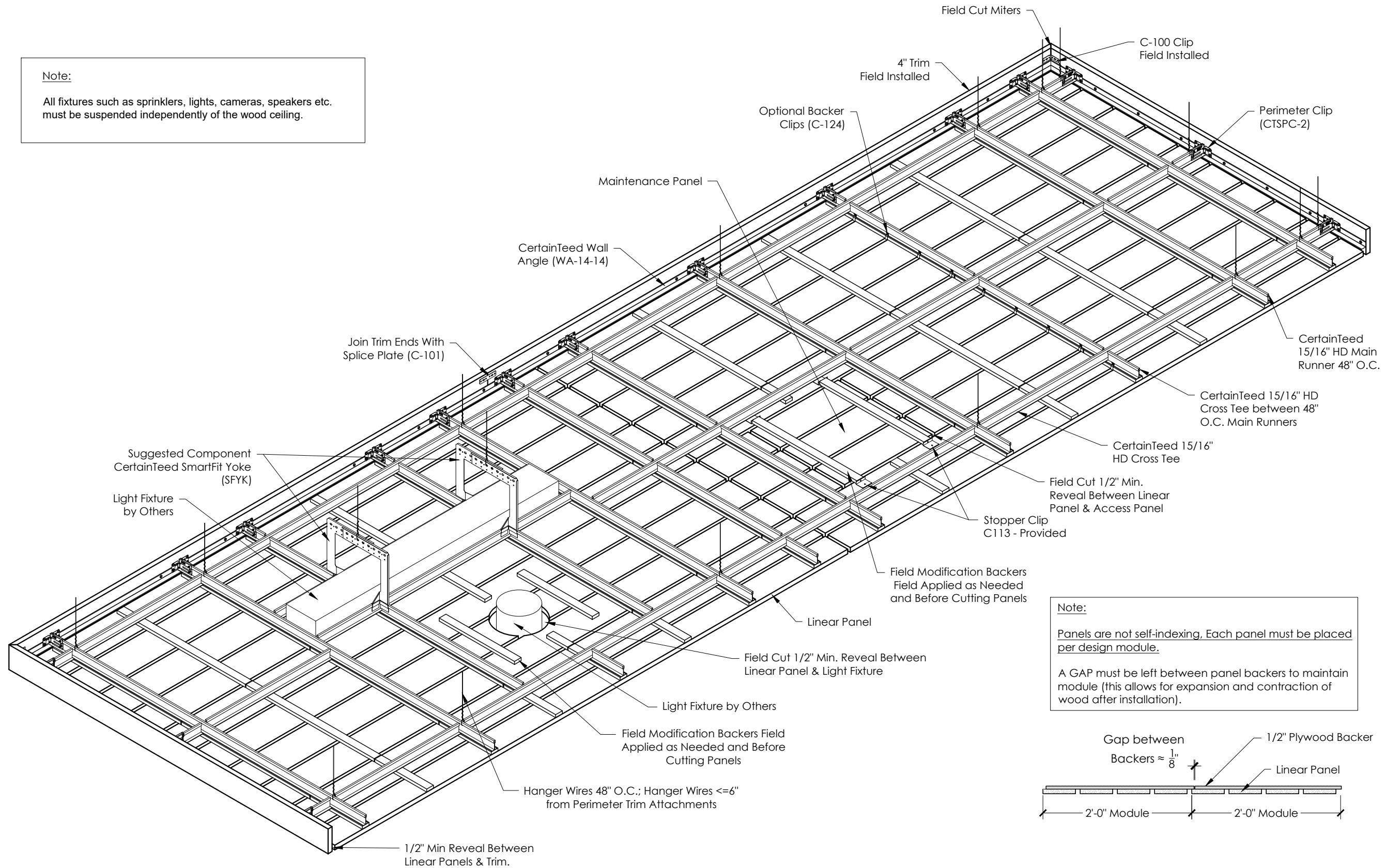


C 6320L6 Suspension System Mounted Perimeter Trim Installation Back View
Optional Trim Attachment Scale: 1/2"=1'-0"

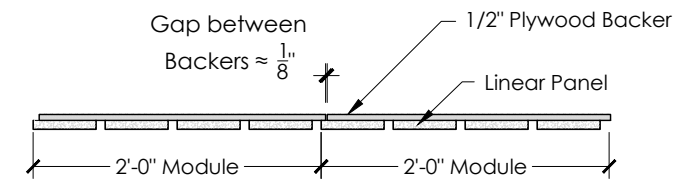
These drawings show typical conditions for installing the CertainTeed Ceilings product shown. They should not be construed as a substitute for an architectural or engineering design and do not reflect the unique requirements of local codes, laws, statutes or regulations that may be applicable for a specific installation. CertainTeed Ceilings assumes no liability for the accuracy or completeness of the drawings for a specific installation or the fitness of the drawings for a particular purpose. The user is advised to consult with local licensed design professionals in order to assure compliance with all legal requirements. CertainTeed Ceilings is not licensed to provide professional engineering or architectural services.

Note:

All fixtures such as sprinklers, lights, cameras, speakers etc. must be suspended independently of the wood ceiling.



Note:
 Panels are not self-indexing, Each panel must be placed per design module.
 A GAP must be left between panel backers to maintain module (this allows for expansion and contraction of wood after installation).



A 6320L6 Suspension System Mounted Trim Installation Isometric Back View
 PD-17

Scale: 3/4"=1'-0"

Only the products that are identified as such on this document are FSC® certified

ARCHITECT

CUSTOMER

REPRESENTATIVE

| | | | | | | | |
|-----------|--|--|--|--|--|--|--|
| DATE | | | | | | | |
| | | | | | | | |
| REVISIONS | | | | | | | |
| | | | | | | | |
| # | | | | | | | |

PROJECT TITLE

PROJECT LOCATION

SHEET REFERENCE
 6320L6 Panelized Linear

PRODUCT
 Ceiling Panelized Linear

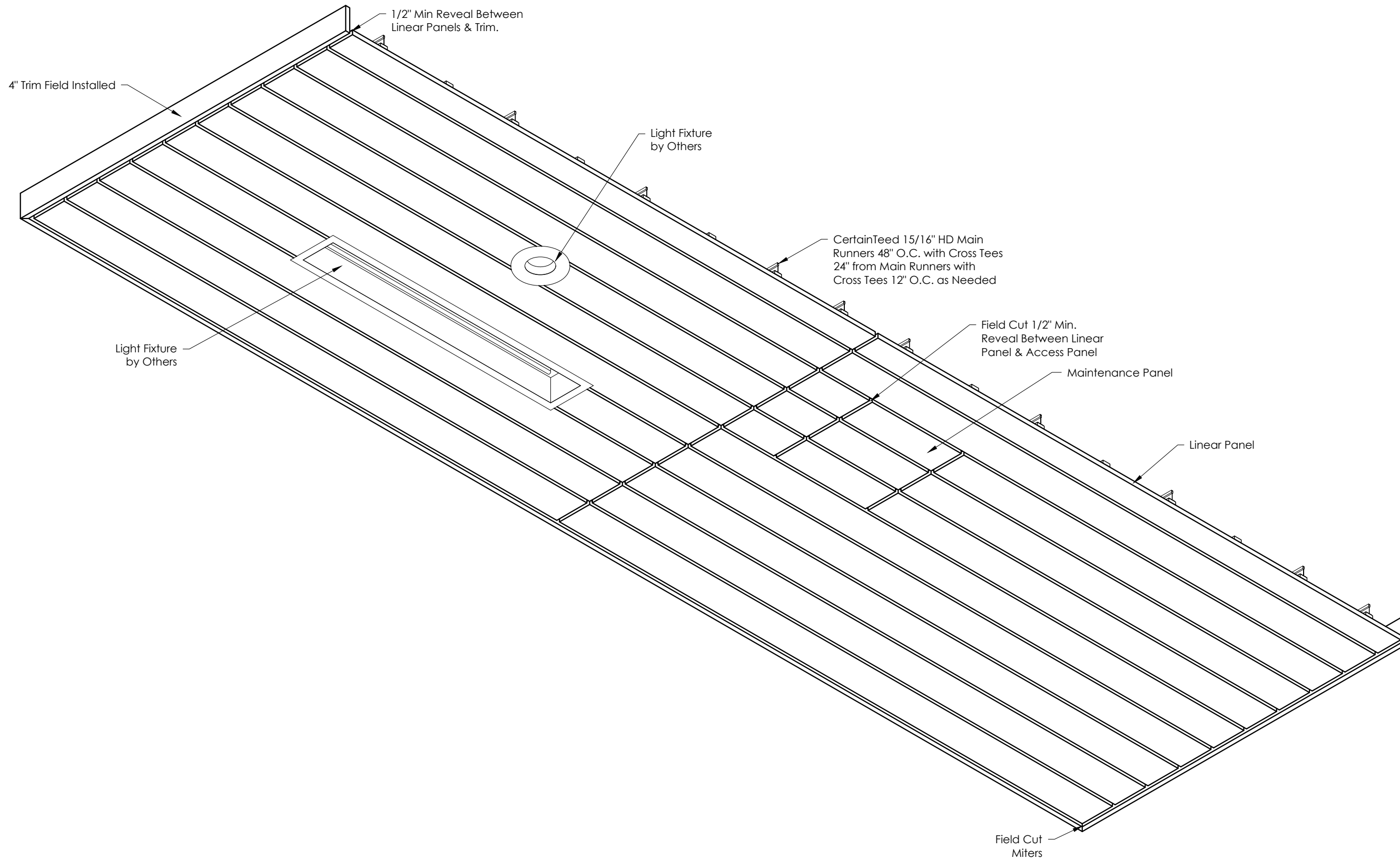
SHEET TITLE
 Suspension System Mounted Perimeter Trim Installation (see PD-13 PD-14, PD-15 for Panel Mounted Perimeter Trim)

| | | |
|----------|------|-------|
| DATE | DRWN | CHECK |
| 02/12/21 | A.D. | Z.D. |

SHEET NO.

PD-17

These drawings show typical conditions for installing the CertainTeed Ceilings product shown. They should not be construed as a substitute for an architectural or engineering design and do not reflect the unique requirements of local codes, laws, statutes or regulations that may be applicable for a specific installation. CertainTeed Ceilings assumes no liability for the accuracy or completeness of the drawings for a specific installation or the fitness of the drawings for a particular purpose. The user is advised to consult with local licenced design professionals in order to assure compliance with all legal requirements. CertainTeed Ceilings is not licenced to provide professional engineering or architectural services.



A 6320L6 Suspension System Mounted Trim Installation Isometric Face View

PD-18

Scale: 3/4"=1'-0"

CertainTeed
SAINT-GOBAIN

CertainTeed Ceiling Corporation
20 Moores Road
Malvern, PA 19355
800-233-8990

FSC The mark of responsible forestry
FSC® C151918 Certificate Code: SCS-COC-006960

Only the products that are identified as such on this document are FSC® certified

ARCHITECT

CUSTOMER

REPRESENTATIVE

| DATE | REVISIONS | # | | | | | |
|------|-----------|---|--|--|--|--|--|
| | | | | | | | |

PROJECT TITLE

PROJECT LOCATION

SHEET REFERENCE
6320L6 Panelized Linear

PRODUCT
Ceiling Panelized Linear

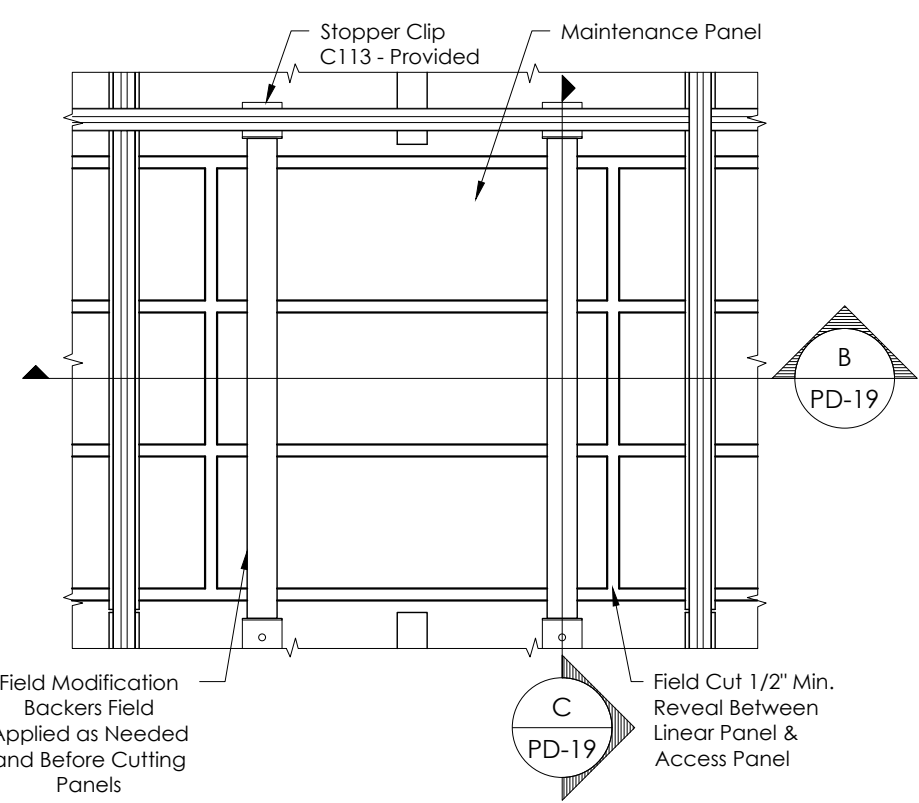
SHEET TITLE
Suspension System Mounted Perimeter Trim Installation (see PD-13 PD-14, PD-15 for Panel Mounted Perimeter Trim)

| DATE | DRWN | CHECK |
|----------|------|-------|
| 02/12/21 | A.D. | Z.D. |

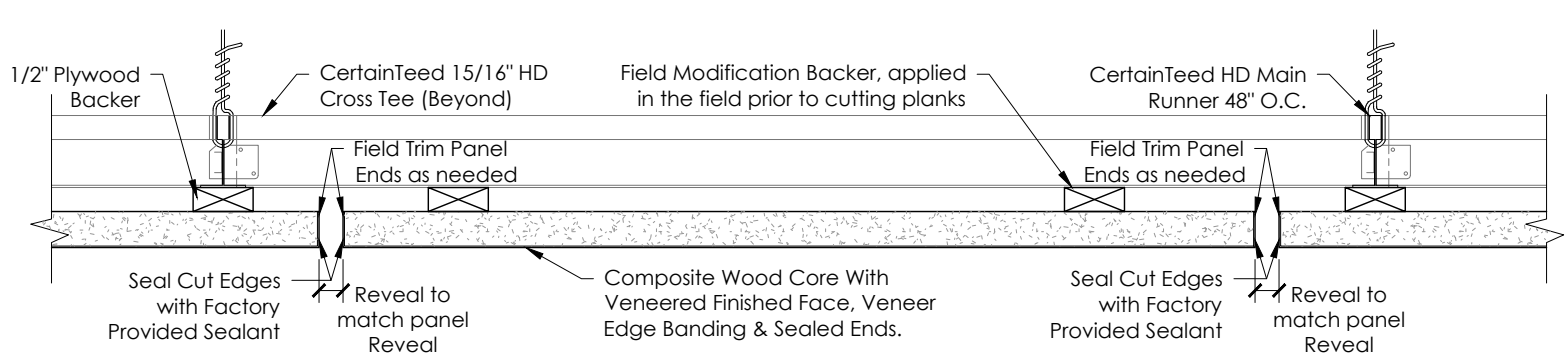
SHEET NO.

PD-18

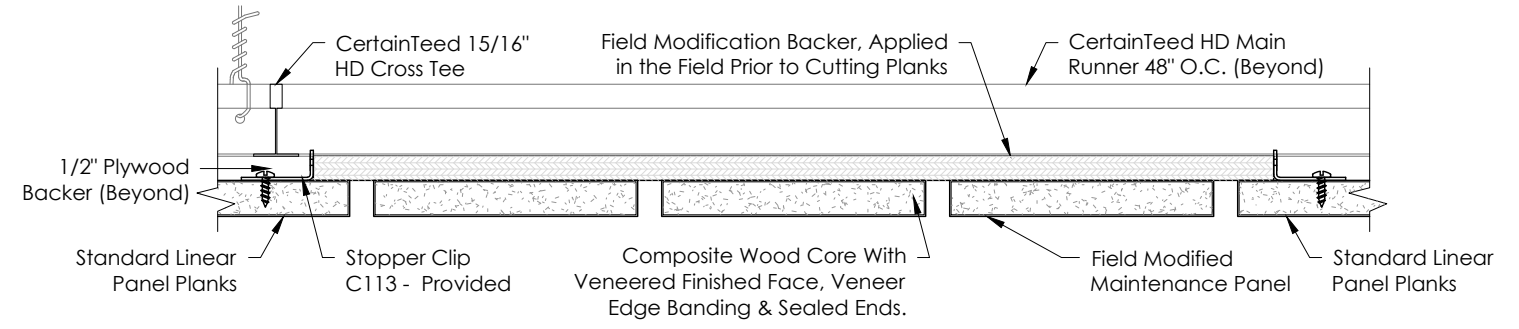
These drawings show typical conditions for installing the CertainTeed Ceilings product shown. They should not be construed as a substitute for an architectural or engineering design and do not reflect the unique requirements of local codes, laws, statutes or regulations that may be applicable for a specific installation. CertainTeed Ceilings assumes no liability for the accuracy or completeness of the drawings for a specific installation or the fitness of the drawings for a particular purpose. The user is advised to consult with local licensed design professionals in order to assure compliance with all legal requirements. CertainTeed Ceilings is not licensed to provide professional engineering or architectural services.



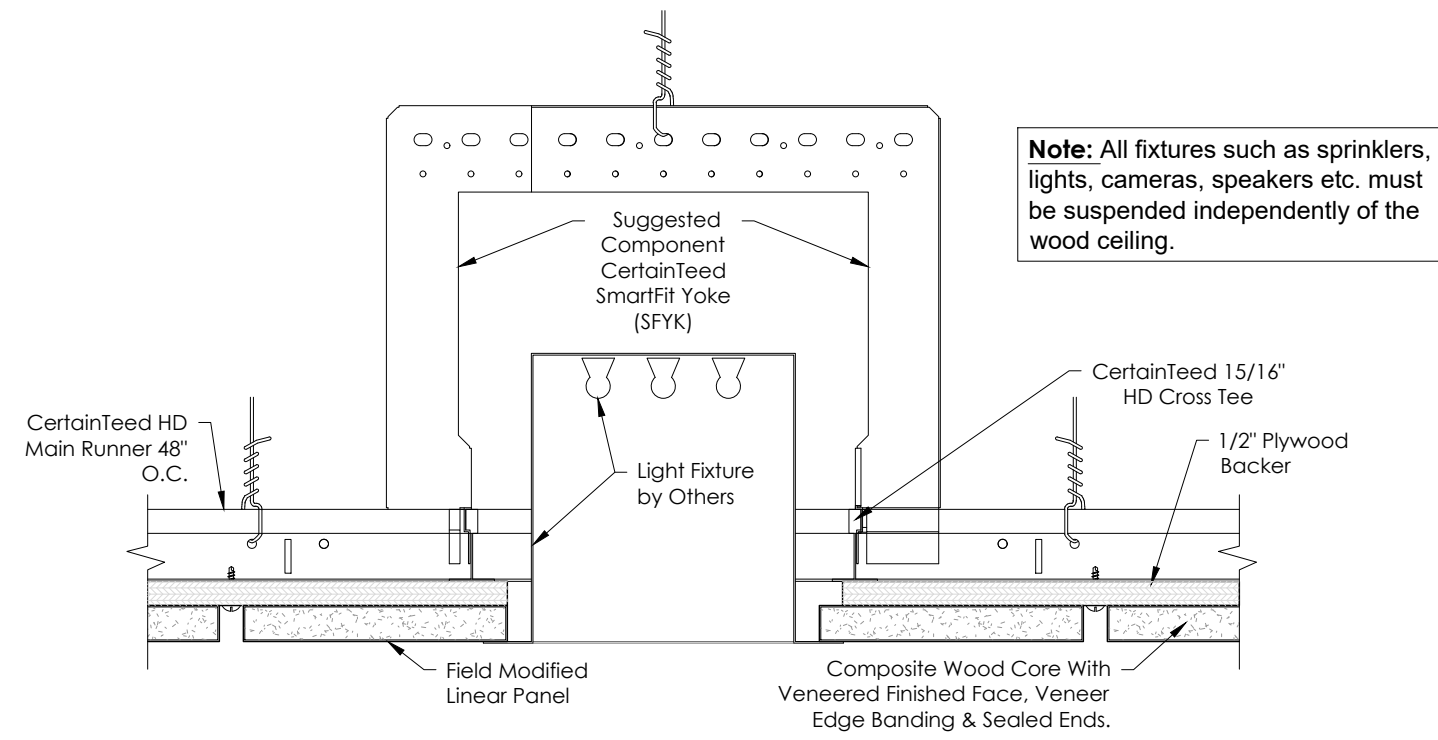
A 6320L6 Enlarged Back View at Maintenance Panel
 PD-19 Scale: 1-1/2"=1'-0"



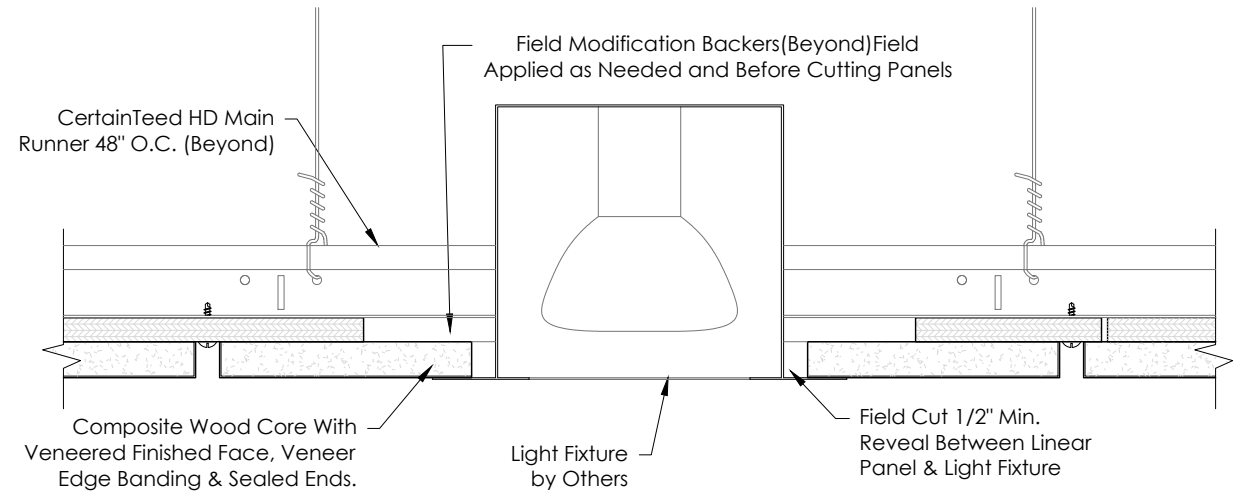
B 6320L6 Maintenance Panel Detail - Perpendicular
 PD-19 Scale: 3"=1'-0"



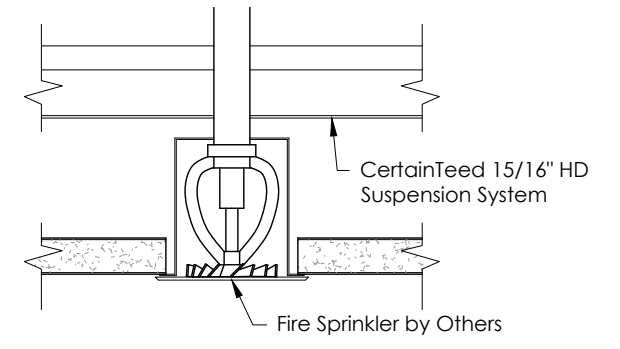
C 6320L6 Maintenance Panel Detail - Parallel
 PD-19 Scale: 3"=1'-0"



D 6320L6 Linear Light Fixture Detail - Parallel
 PD-19 Scale: 3"=1'-0"



E 6320L6 Light Fixture Detail - Parallel
 PD-19 Scale: 3"=1'-0"



F Sprinkler Detail
 PD-19 Scale: 3"=1'-0"

Note: All fixtures such as sprinklers, lights, cameras, speakers etc. must be suspended independently of the wood ceiling.

Only the products that are identified as such on this document are FSC® certified

ARCHITECT

CUSTOMER

REPRESENTATIVE

| DATE | REVISIONS | # |
|------|-----------|---|
| | | |
| | | |
| | | |
| | | |
| | | |
| | | |
| | | |
| | | |
| | | |

PROJECT TITLE

PROJECT LOCATION

SHEET REFERENCE
 6320L6 Panelized Linear

PRODUCT
 Ceiling Panelized Linear

SHEET TITLE
 Fixture Integration and Access Panels

| DATE | DRWN | CHECK |
|----------|------|-------|
| 02/12/21 | A.D. | Z.D. |

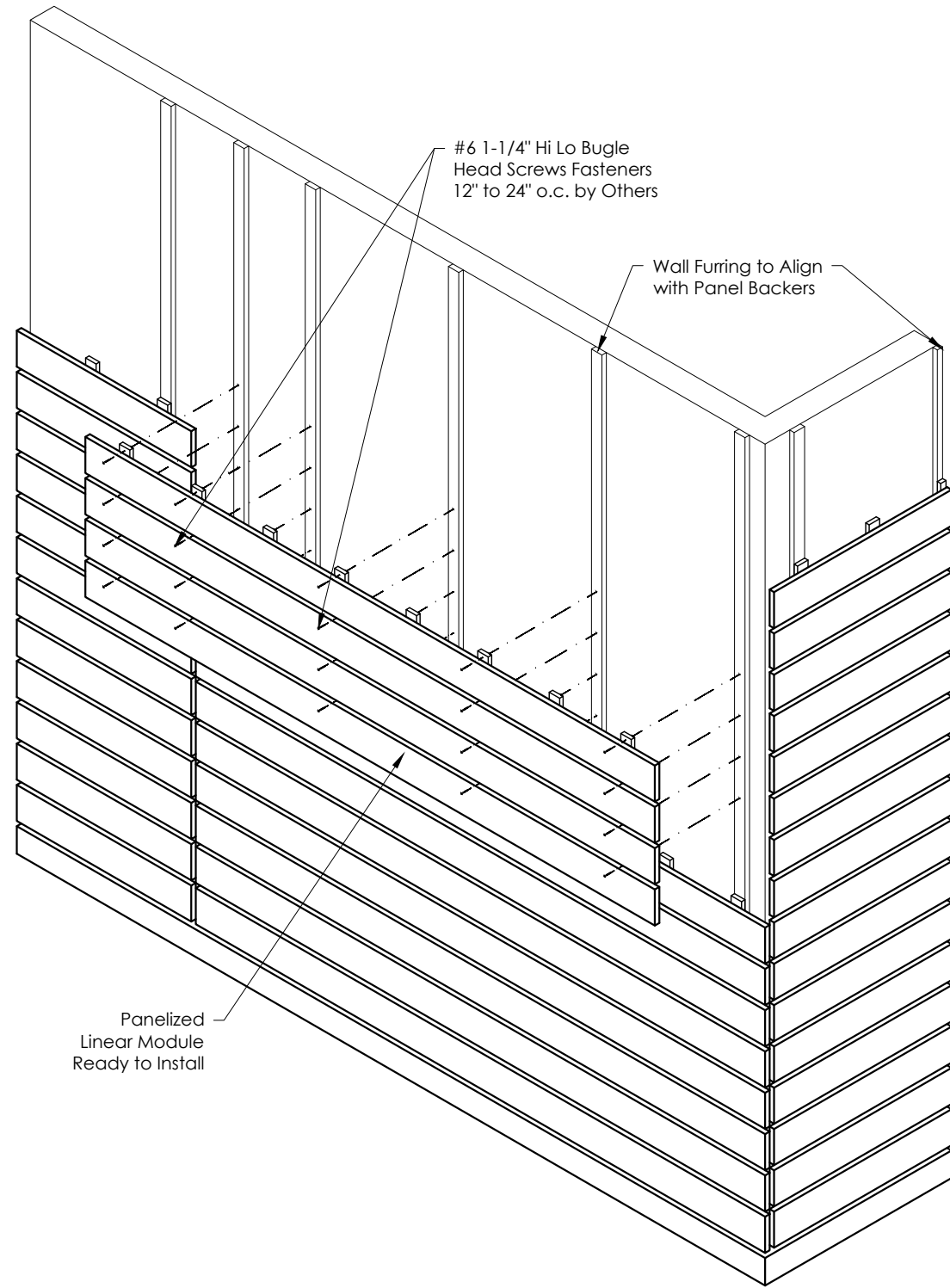
SHEET NO.

PD-19

These drawings show typical conditions for installing the CertainTeed Ceilings product shown. They should not be construed as a substitute for an architectural or engineering design and do not reflect the unique requirements of local codes, laws, statutes or regulations that may be applicable for a specific installation. CertainTeed Ceilings assumes no liability for the accuracy or completeness of the drawings for a specific installation or the fitness of the drawings for a particular purpose. The user is advised to consult with local licenced design professionals in order to assure compliance with all legal requirements. CertainTeed Ceilings is not licenced to provide professional engineering or architectural services.

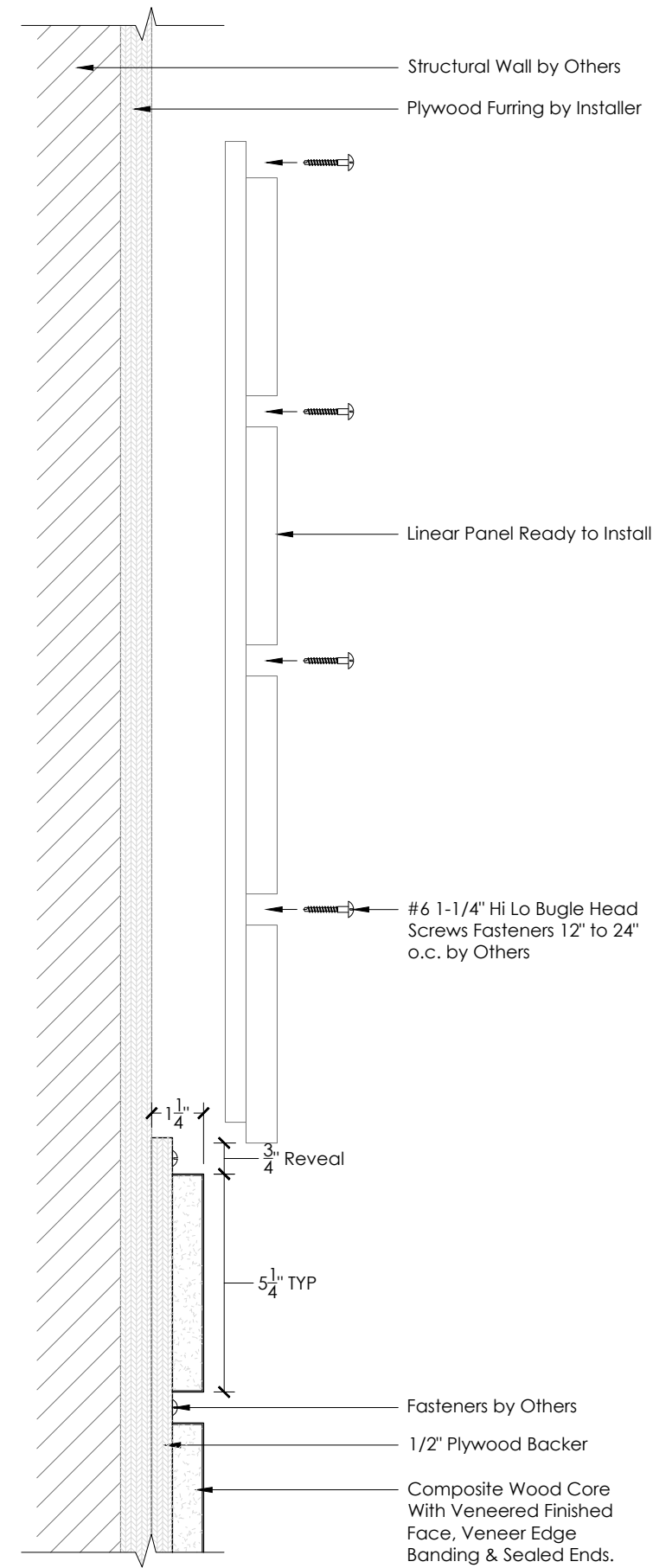
Note: Wall Mount for Z-Clip/Cleat Applications available: 6020L6 (Composite Wood)

Note: Wall Mounted Panels are made with 2-1/2" Wide Backers



A 6320L6 Horizontal Direct Mount Attachment to Wall Furring
PD-20

Scale: 1/2"=1'-0"



B 6320L6 Horizontal Direct Mount Attachment to Wall Furring Section
PD-20

Scale: 3"=1'-0"

CertainTeed
SAINT-GOBAIN

CertainTeed Ceiling Corporation
20 Moores Road
Malvern, PA 19355
800-233-8990

The mark of responsible forestry
FSC® C151918 Certificate Code: SCS-COC-006960

Only the products that are identified as such on this document are FSC® certified

ARCHITECT

CUSTOMER

REPRESENTATIVE

| DATE | | | | |
|-----------|--|--|--|--|
| | | | | |
| REVISIONS | | | | |
| | | | | |
| # | | | | |

PROJECT TITLE

PROJECT LOCATION

SHEET REFERENCE
6320L6 Panelized Linear

PRODUCT
Ceiling Panelized Linear

SHEET TITLE
Horizontal Direct Mount
Wall Installation

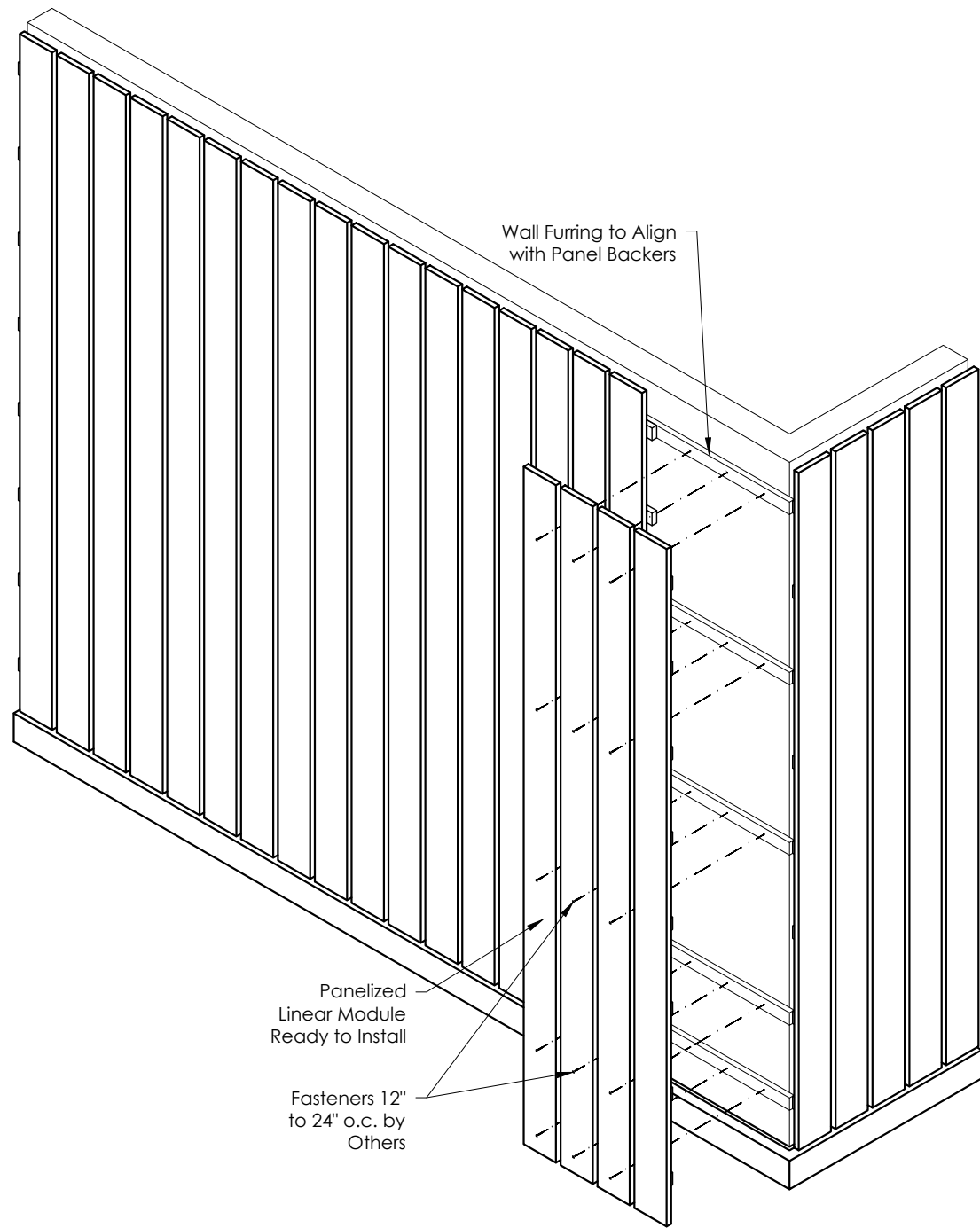
| DATE | DRWN | CHECK |
|----------|------|-------|
| 02/12/21 | A.D. | Z.D. |

SHEET NO.

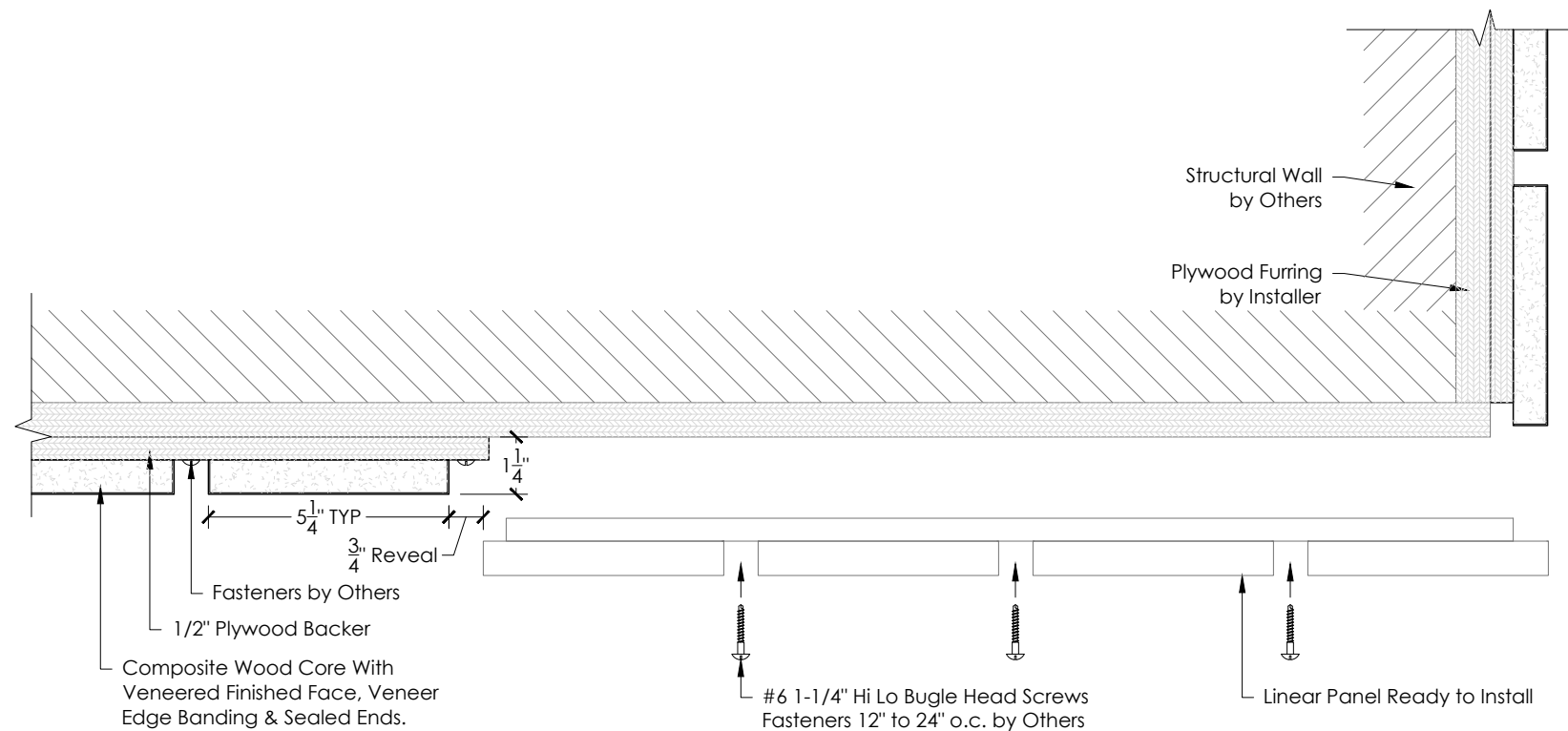
PD-20

Note: Wall Mount for Z-Clip/Cleat Applications available: 6020L6 (Composite Wood)

Note: Wall Mounted Panels are made with 2-1/2" Wide Backers



A 6320L6 Vertical Direct Mount Attachment to Wall Furring
 PD-21 Scale: 1/2"=1'-0"



B 6320L6 Vertical Direct Mount Attachment to Wall Furring Section
 PD-21 Scale: 3"=1'-0"

CertainTeed
 SAINT-GOBAIN

CertainTeed Ceiling Corporation
 20 Moores Road
 Malvern, PA 19355
 800-233-8990

The mark of responsible forestry
 FSC® C151918 Certificate Code: SCS-COC-006960

Only the products that are identified as such on this document are FSC® certified

ARCHITECT

CUSTOMER

REPRESENTATIVE

| DATE | REVISIONS | # |
|------|-----------|---|
| | | |
| | | |
| | | |
| | | |

PROJECT TITLE

PROJECT LOCATION

SHEET REFERENCE
 6320L6 Panelized Linear

PRODUCT
 Ceiling Panelized Linear

SHEET TITLE
 Vertical Direct Mount Wall Installation

| | | |
|----------|------|-------|
| DATE | DRWN | CHECK |
| 02/12/21 | A.D. | Z.D. |

SHEET NO.

PD-21

These drawings show typical conditions for installing the CertainTeed Ceilings product shown. They should not be construed as a substitute for an architectural or engineering design and do not reflect the unique requirements of local codes, laws, statutes or regulations that may be applicable for a specific installation. CertainTeed Ceilings assumes no liability for the accuracy or completeness of the drawings for a specific installation or the fitness of the drawings for a particular purpose. The user is advised to consult with local licenced design professionals in order to assure compliance with all legal requirements. CertainTeed Ceilings is not licenced to provide professional engineering or architectural services.

| Linear Wood - Rectangular boards oriented horizontally. | |
|--|-------------------------------|
| Board Length: ± 0.062" (1/16") | Blade Width: ± 0.062" (1/16") |
| Board Thickness | ± 0.031" (1/32") |
| Linear Reveal Width (D) | ≤ 0.062" (1/16") |
| Bowing (Upward in 24") | ≤ 0.062" (1/16") |
| Crook (Deviation in 24") | ± 0.062" (1/16") |
| Cupping (6" wide board) | ± 0.031" (1/32") |
| Board end squareness | ± 0.25" |
| (F)= Per 6" high blade | |

| Wood Veneer Panels - Square or rectangular boards oriented horizontally. Includes independently suspended and lay-in panels. | |
|---|---|
| Panel Width/Length: ± 0.062" (1/16") | Panel Thickness: ± 0.031" (1/32") |
| Panel Squareness Diagonals up to 60" Diagonals over 60" to 120" | ± 0.062 (1/16") ± 0.125 (1/8") |
| Cupping (deviation from flatness) at midpoint, diagonal to 60" at midpoint, diagonal over 60" | ± 0.125 (1/8") ± 0.187 (3/16") |
| Bowing (along edge) along length up to 24" along length 24" to 48" along length 48" to 96" | ± 0.062" (1/16") ± 0.125" (1/8") ± 0.187" (3/16") |
| Panel-to-Panel stepping (g) | ± 0.062" (1/16") |
| (G)= Installed allowance between panels | |

Ordering Notes:
All dimensions are shown for reference and will have to be modified for field installation. Dimensions are to be field verified prior to fabrication. Changes in dimensions may result in quantity adjustments. Closet stock and spares are not included and must be added to quantity shown if needed. Utilize the use of cut-offs where appropriate - product quantities based on partial products being used.

Suspension System Components and Accessories:
CertainTeed 15/16" & 9/16"HD acoustical suspension systems sold separately. Visit www.certainteed.com/suspension-systems/ for more information and purchasing options.

Installation Notes:

Wood is a natural material with varying grain and color characteristics, making each installation uniquely beautiful. Characteristics may vary from panel to panel. If desired, for greater visual consistency, the products should be laid out and arranged in advance of installation to achieve the desired effect. All products should be reviewed before installation to avoid undesirable visual pattern because of natural color and grain variations.

Wood panels must be acclimatized for 72 hours prior to installation. Maintain relative humidity between 25% and 55% and temperature between 50°F and 86°F (10°C and 30°C) for the life of the product, unless otherwise noted in order, quote, and submittal documents. Fixtures and MEP devices to be hung independently from ceiling support system.

Fixtures and MEP devices may include but are not limited to: light fixtures, HVAC diffusers, sprinkler heads and/or piping, speakers, security cameras, components, décor, etc.

Reflected ceiling drawings will include penetrations of limited light fixtures and HVAC registers only when the size of the wood is impacted. Other penetrations, including but not limited to sprinklers, security cameras audio-visual, etc., Are typically not included in the drawing set as placement and code requirements vary by product and jurisdiction.

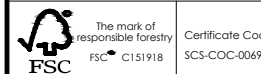
Fixtures and MEP devices shown are for reference only; unless otherwise noted all fixtures and MEP devices by others. Contractor to follow CISCA guidelines for suspension system installation. Wood ceilings are typically heavier than other ceiling products. Follow manufacturer load requirements and installation specifications based on the weights and dimensions of product being installed.

All field cut products must be sealed with a clear sealer or stained then sealed.

See Product Detail Sets for edge condition details.



CertainTeed Ceiling Corporation
20 Moores Road
Malvern, PA 19355
800-233-8990



Only the products that are identified as such on this document are FSC® certified

ARCHITECT

CUSTOMER

REPRESENTATIVE

| DATE | REVISIONS | # | | | | | |
|------|-----------|---|--|--|--|--|--|
| | | | | | | | |
| | | | | | | | |

PROJECT TITLE

PROJECT LOCATION

SHEET REFERENCE
6320L6 Panelized Linear

PRODUCT
Ceiling Panelized Linear

SHEET TITLE
CISCA Tolerances, Product Notes, and Ordering Notes

| | | |
|----------|------|-------|
| DATE | DRWN | CHECK |
| 02/12/21 | A.D. | Z.D. |

SHEET NO.
PD-24

These drawings show typical conditions for installing the CertainTeed Ceilings product shown. They should not be construed as a substitute for an architectural or engineering design and do not reflect the unique requirements of local codes, laws, statutes or regulations that may be applicable for a specific installation. CertainTeed Ceilings assumes no liability for the accuracy or completeness of the drawings for a specific installation or the fitness of the drawings for a particular purpose. The user is advised to consult with local licenced design professionals in order to assure compliance with all legal requirements. CertainTeed Ceilings is not licenced to provide professional engineering or architectural services.