

# Ceiling Panelized Linear Product Specifications

Type:	Panelized Linear
Module:	Nominal Size (24" x 96")
Board Specs.:	3/4" X 4 Boards (5-1/2")
Reveal Type:	Open
Core:	3/4" Solid Wood
Veneer Species:	Solid Wood Species
Finish:	Clear Topcoat, 20% sheen
Rating:	Class C (Class A Treatment Available)
Mounting:	Concealed Access (C-Hanger) & (Safety Chains) Attached to CertainTeed 15/16" HD Suspension System
Accessories:	Acoustical Felt/Fleece (If applicable)

## Product Detail Set Contents:

PD-01: Product Details and Basic Installation  
 A. Panel Section View  
 B. Panel Back View  
 C. Installation Diagram Isometric View

PD-10: Typical Suspension System Layout  
 A. Typical Suspension System Layout Isometric View

PD-11: Typical Installation Details  
 A. Perimeter Edge Detail - Parallel  
 B. Perimeter Edge Detail - Perpendicular  
 C. Installation Field Cut Diagram Isometric View

PD-12: Alternate Perimeter Options  
 A. Continuous Shadow Molding  
 B. Continuous Wall Angle  
 C. Floating Edge Detail - Parallel  
 D. Floating Edge Detail - Perpendicular

See PD-13, PD-14, PD-15: Panel Mounted Perimeter Trim Installation  
 See PD-16, PD-17, PD-18 for Suspension System Mounted Perimeter Trim

PD-13: Panel Mounted Perimeter Trim Installation  
 (see PD-16, PD-17, PD-18 for Suspension System Mounted Perimeter Trim)  
 A. Panel Mounted Perimeter Trim Detail - Parallel  
 B. Panel Mounted Perimeter Trim Detail - Perpendicular  
 C. Panel Mounted Trim Installation Back View

PD-14: Panel Mounted Perimeter Trim Installation  
 (see PD-16, PD-17, PD-18 for Suspension System Mounted Perimeter Trim)  
 A. Panel Mounted Perimeter Trim Installation Isometric Back View

PD-15: Panel Mounted Perimeter Trim Installation  
 (see PD-16, PD-17, PD-18 for Suspension System Mounted Perimeter Trim)  
 A. Panel Mounted Perimeter Trim Installation Isometric Face View



PD-16: Suspension System Mounted Perimeter Trim Installation  
 (see PD-13, PD-14, PD-15) for Panel Mounted Perimeter Trim)  
 A. Suspension System Mounted Perimeter Trim Detail - Parallel.  
 B. Suspension System Mounted Perimeter Trim Detail - Perpendicular.  
 C. Suspension System Mounted Trim Installation Back View

PD-17: Suspension System Mounted Perimeter Trim Installation  
 (see PD-13, PD-14, PD-15 for Panel Mounted Perimeter Trim)  
 A. Suspension System Mounted Perimeter Trim Installation Isometric Back View

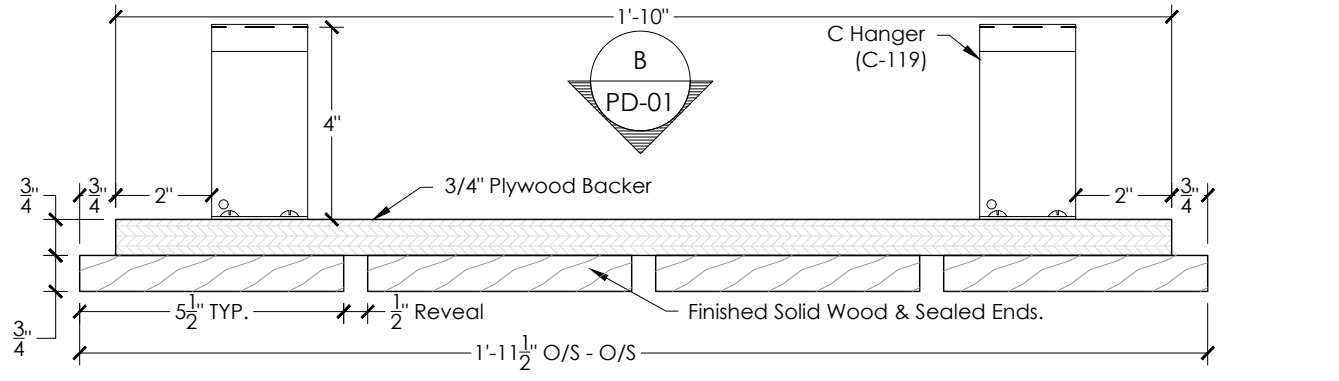
PD-18: Suspension System Mounted Perimeter Trim Installation  
 (see PD-13, PD-14, PD-15 for Panel Mounted Perimeter Trim)  
 A. Suspension System Mounted Perimeter Trim Installation Isometric Face View

PD-19: Fixture Integration and Access Panels.  
 A. Enlarged Back View at Light & Access Panel.  
 B. Access Panel Detail - Perpendicular.  
 C. Access Panel Detail - Parallel.  
 D. Light Fixture Detail - Parallel  
 E. Sprinkler Detail

PD-20: CISCA Tolerances, Product Notes, and Ordering Notes

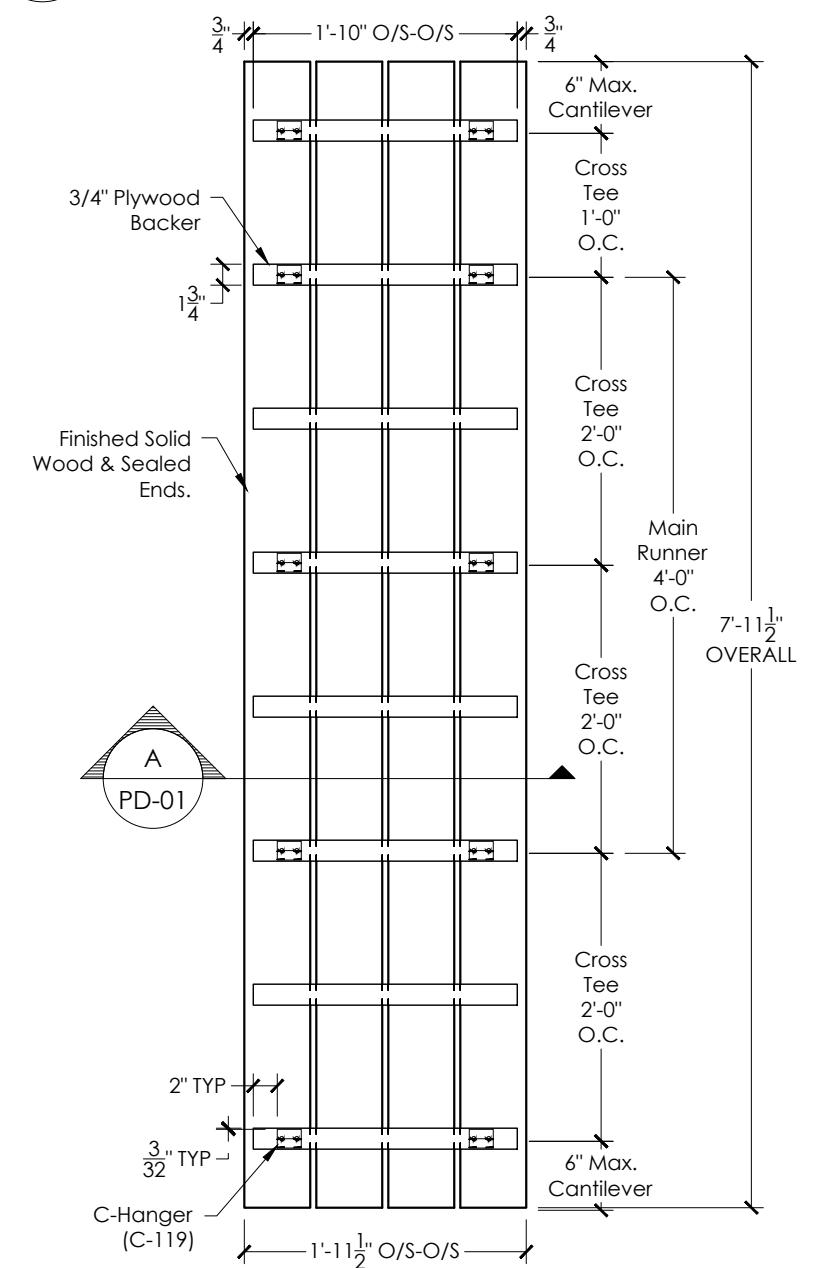
		
CertainTeed Ceiling Corporation 20 Moores Road Malvern, PA 19355 800-233-8990		
		The mark of responsible forestry FSC® C151918 Certificate Code: SCS-COC-006960
Only the products that are identified as such on this document are FSC® certified		
ARCHITECT		
CUSTOMER		
REPRESENTATIVE		
DATE		
REVISIONS		
#		
PROJECT TITLE		
PROJECT LOCATION		
SHEET REFERENCE 6220L6 Concealed Access Panelized Linear		
PRODUCT Ceiling Concealed Access Panelized Linear		
SHEET TITLE 6220L6 Concealed Access Panelized Linear Details Set		
DATE	DRWN	CHECK
02/12/21	A.D.	Z.D.
SHEET NO.		
PD-00		

These drawings show typical conditions for installing the CertainTeed Ceilings product shown. They should not be construed as a substitute for an architectural or engineering design and do not reflect the unique requirements of local codes, laws, statutes or regulations that may be applicable for a specific installation. CertainTeed Ceilings assumes no liability for the accuracy or completeness of the drawings for a specific installation or the fitness of the drawings for a particular purpose. The user is advised to consult with local licenced design professionals in order to assure compliance with all legal requirements. CertainTeed Ceilings is not licenced to provide professional engineering or architectural services.

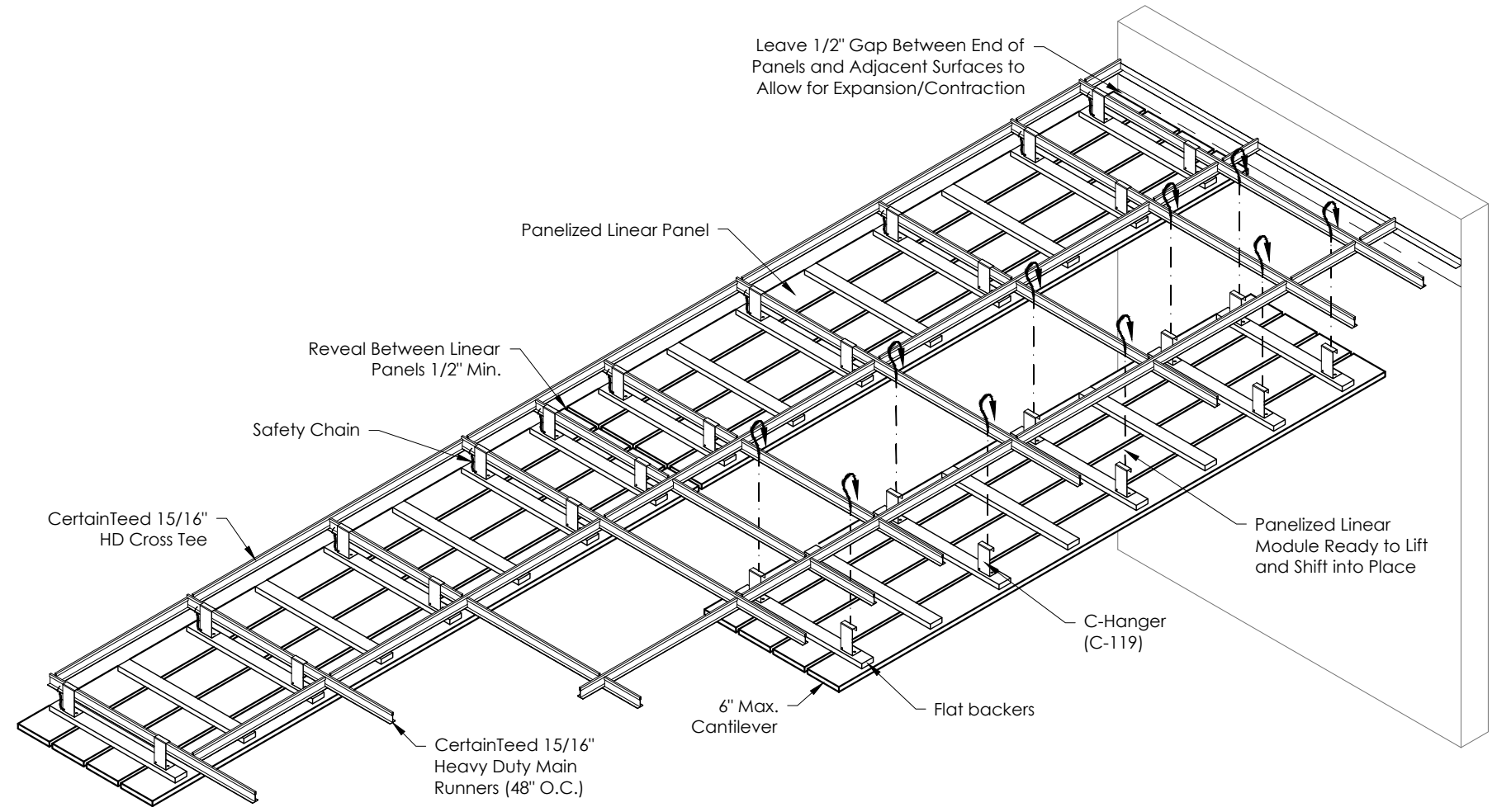


**A** 6220L6 Panel Section View  
 PD-01 Scale: 3"=1'-0"

Type:	Panelized Linear
Module:	Nominal Size (24" x 96")
Board Specs.:	3/4" X 4 Boards (5-1/2")
Reveal Type:	Open
Core:	3/4" Solid Wood
Veneer Species:	Solid Wood Species
Finish:	Clear Topcoat, 20% sheen
Rating:	Class C (Class A Treatment Available)
Mounting:	Concealed Access (C-Hanger) & (Safety Chains) Attached to CertainTeed 15/16" HD Suspension System
Accessories:	Acoustical Felt/Fleece (If applicable)



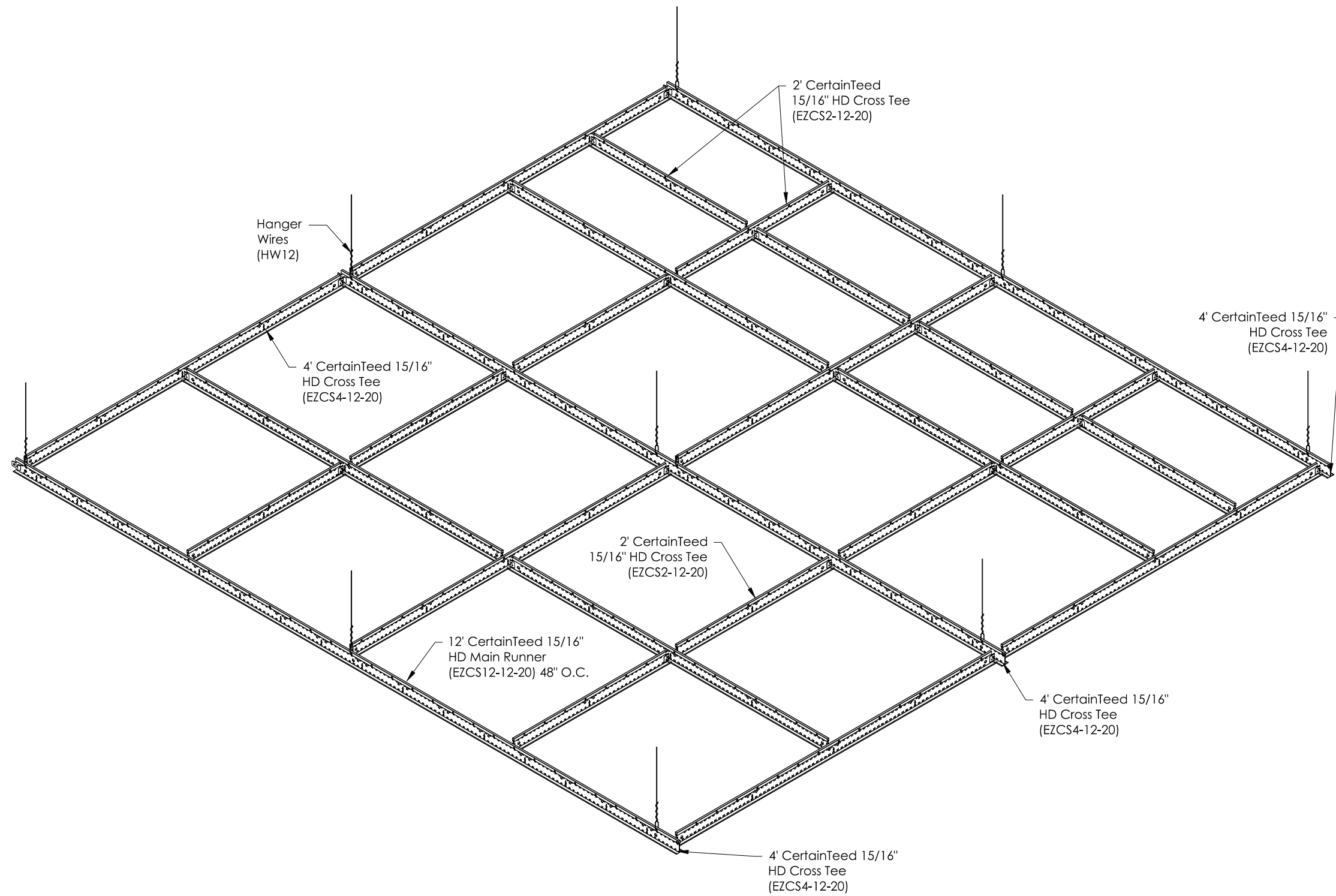
**B** 6220L6 Panel Back View  
 PD-01 Scale: 3/4"=1'-0"



**C** 6220L6 Isometric Installation Diagram View  
 PD-01 Scale: 1/2"=1'-0"

DATE	REVISIONS	#

These drawings show typical conditions for installing the CertainTeed Ceilings product shown. They should not be construed as a substitute for an architectural or engineering design and do not reflect the unique requirements of local codes, laws, statutes or regulations that may be applicable for a specific installation. CertainTeed Ceilings assumes no liability for the accuracy or completeness of the drawings for a specific installation or the fitness of the drawings for a particular purpose. The user is advised to consult with local licenced design professionals in order to assure compliance with all legal requirements. CertainTeed Ceilings is not licenced to provide professional engineering or architectural services.



**A** 6220L6 Typical Suspension System Layout Isometric View  
 PD-10

Scale: 1/2"=1'-0"

Only the products that are identified as such on this document are FSC® certified

ARCHITECT

CUSTOMER

REPRESENTATIVE

DATE	REVISIONS	#

PROJECT TITLE

PROJECT LOCATION

SHEET REFERENCE  
 6220L6 Concealed Access Panelized Linear

PRODUCT  
 Ceiling Concealed Access Panelized Linear

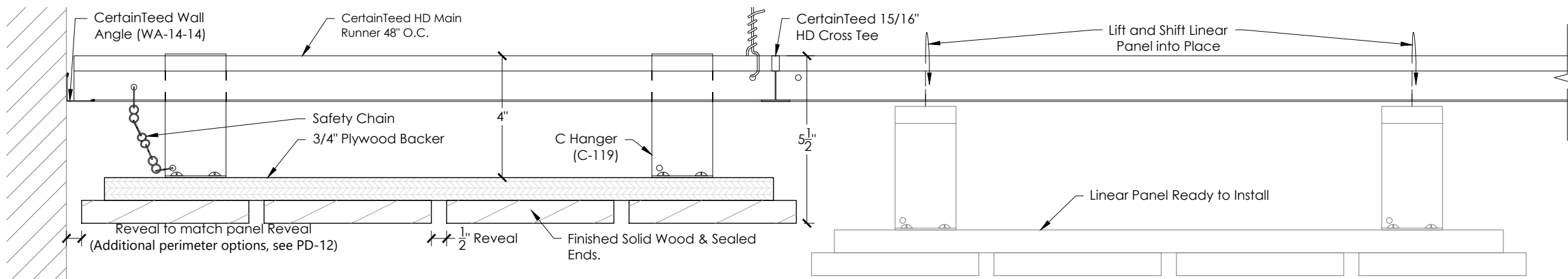
SHEET TITLE  
 Typical Suspension System Layout

DATE	DRWN	CHECK
02/12/21	A.D.	Z.D.

SHEET NO.

PD-10

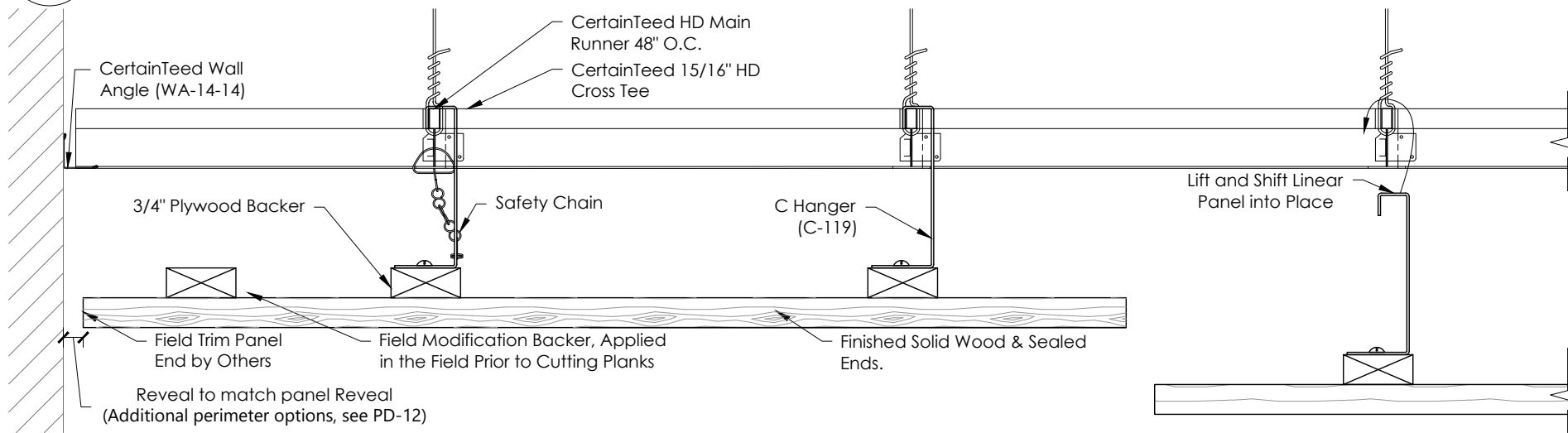
These drawings show typical conditions for installing the CertainTeed Ceilings product shown. They should not be construed as a substitute for an architectural or engineering design and do not reflect the unique requirements of local codes, laws, statutes or regulations that may be applicable for a specific installation. CertainTeed Ceilings assumes no liability for the accuracy or completeness of the drawings for a specific installation or the fitness of the drawings for a particular purpose. The user is advised to consult with local licenced design professionals in order to assure compliance with all legal requirements. CertainTeed Ceilings is not licenced to provide professional engineering or architectural services.



**A** 6220L6 Perimeter Edge Detail - Parallel

PD-11

Scale: 3"=1'-0"



**B** 6220L6 Perimeter Edge Detail - Perpendicular

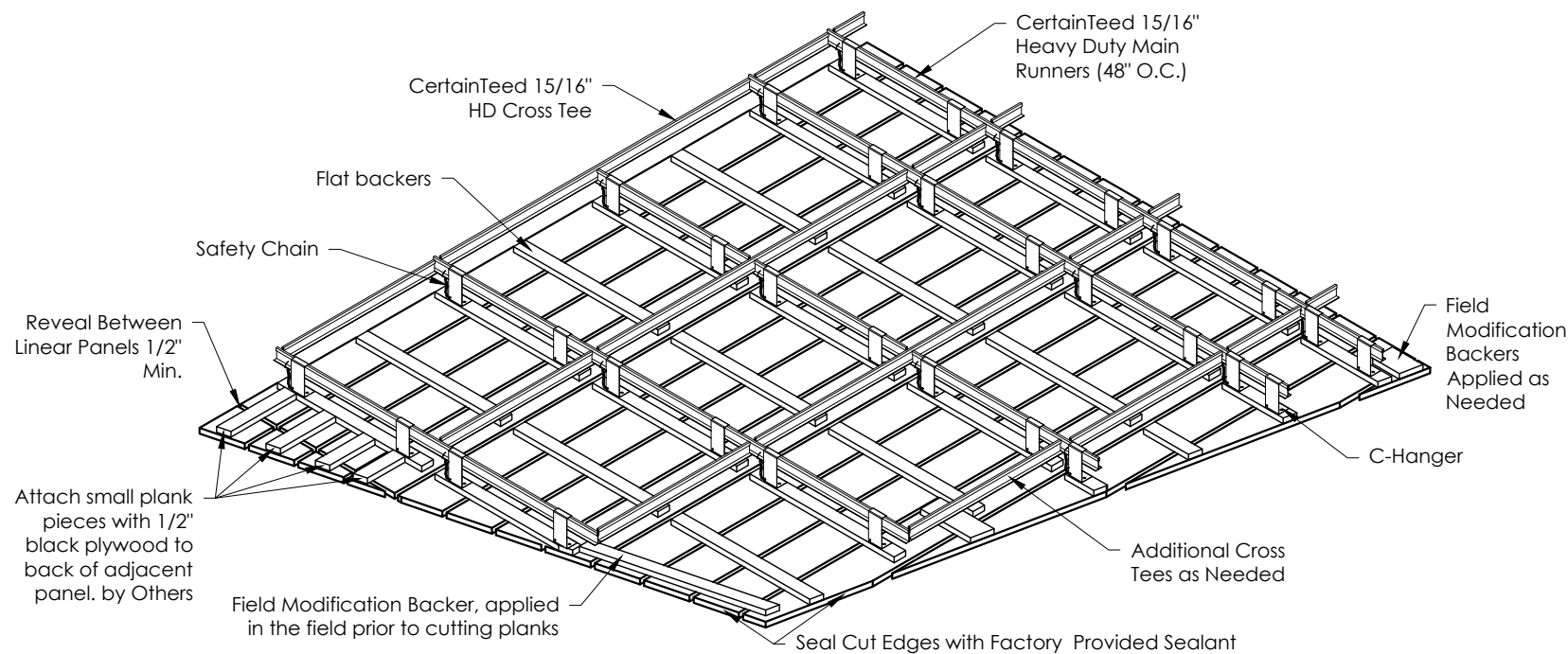
PD-11

Scale: 3"=1'-0"

C-Hanger Guidelines:

C-Hangers on the back of the Panels adjacent to the wall should face wall (allows for narrower reveal).

C-Hangers on the back of the Panels not adjacent to the wall can face either way.



**C** 6220L6 Installation Field Cut Diagram Isometric View

PD-11

Scale: 1/2"=1'-0"

Grid Guidelines:

Install panels by attaching C-hanger to the flat backers then hanging the panels on CertainTeed Heavy Duty Main Runners and parallel Cross Tees every 24" O.C.

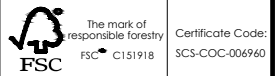
Maximum cantilever from plank end to last Main Tee is 6". Note that additional Main Runners or Cross Tees may be needed in certain configurations.

Cross Tee Required 24" O.C. between Main Runners.

Field modified panels must attach to a minimum of (2) Main Runners - or use alternative attachment method. Loose backers provided for field modified panels.



CertainTeed Ceiling Corporation  
20 Moores Road  
Malvern, PA 19355  
800-233-8990



Only the products that are identified as such on this document are FSC® certified

ARCHITECT

CUSTOMER

REPRESENTATIVE

DATE	REVISIONS	#

PROJECT TITLE

PROJECT LOCATION

SHEET REFERENCE  
6220L6 Concealed Access Panelized Linear

PRODUCT  
Ceiling Concealed Access Panelized Linear

SHEET TITLE  
Typical Installation Details

DATE	DRWN	CHECK
02/12/21	A.D.	Z.D.

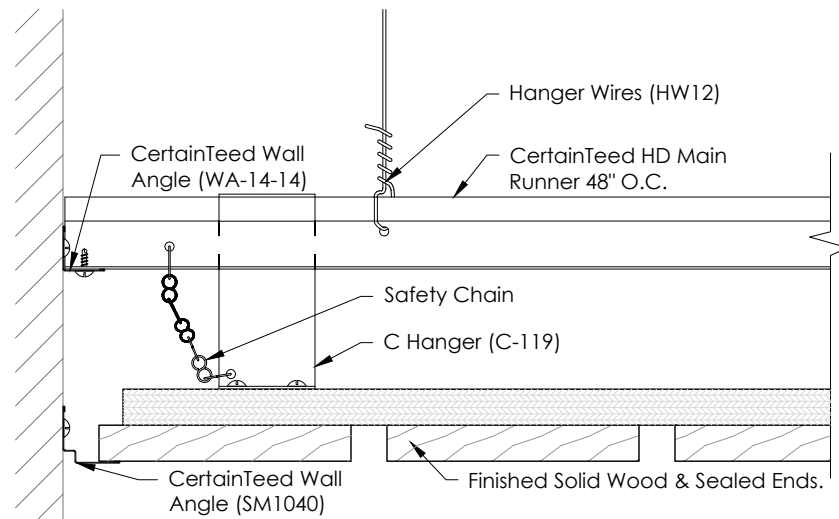
SHEET NO.

PD-11

These drawings show typical conditions for installing the CertainTeed Ceilings product shown. They should not be construed as a substitute for an architectural or engineering design and do not reflect the unique requirements of local codes, laws, statutes or regulations that may be applicable for a specific installation. CertainTeed Ceilings assumes no liability for the accuracy or completeness of the drawings for a specific installation or the fitness of the drawings for a particular purpose. The user is advised to consult with local licenced design professionals in order to assure compliance with all legal requirements. CertainTeed Ceilings is not licenced to provide professional engineering or architectural services.



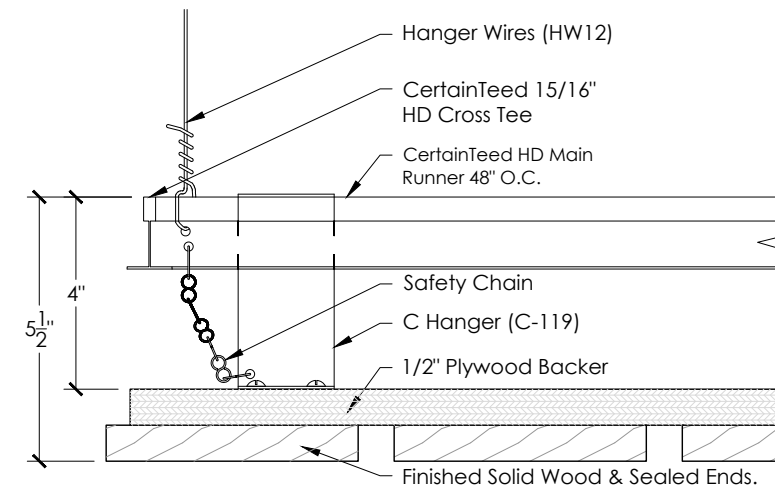
DATE					
REVISIONS					
#					



**A** 6220L6 Continuous Shadow Molding

PD-12

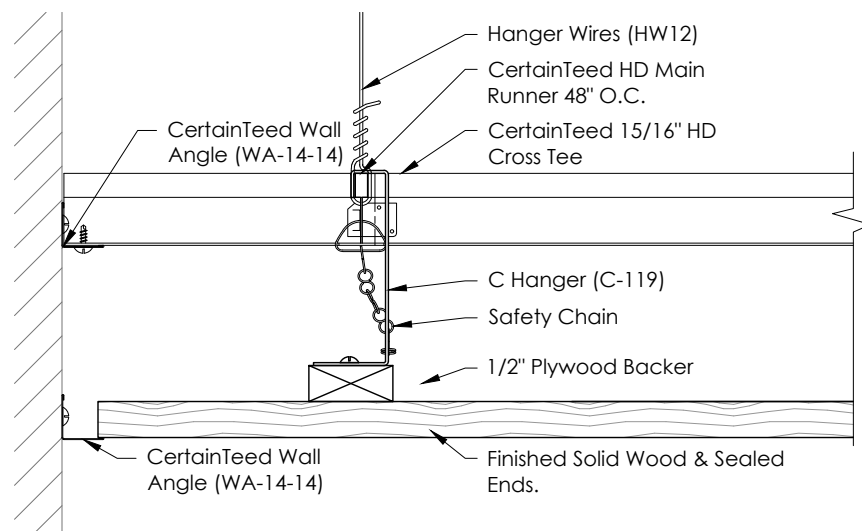
Scale: 3"=1'-0"



**C** 6220L6 Floating Edge Detail - Parallel

PD-12

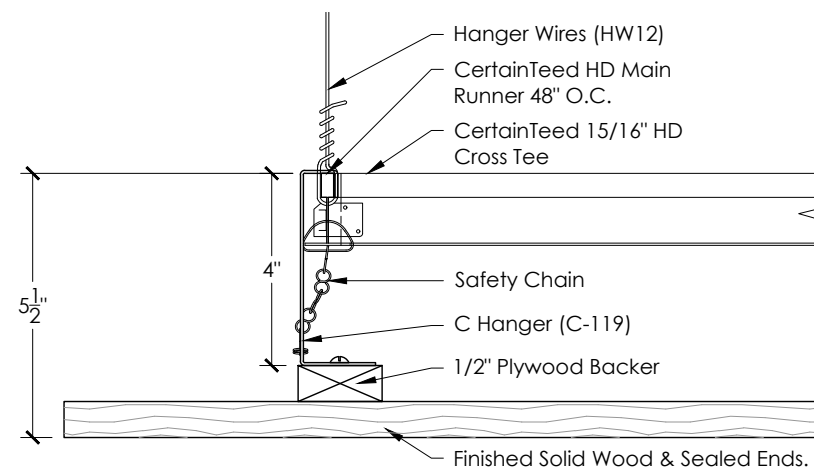
Scale: 3"=1'-0"



**B** 6220L6 Continuous Wall Angle

PD-12

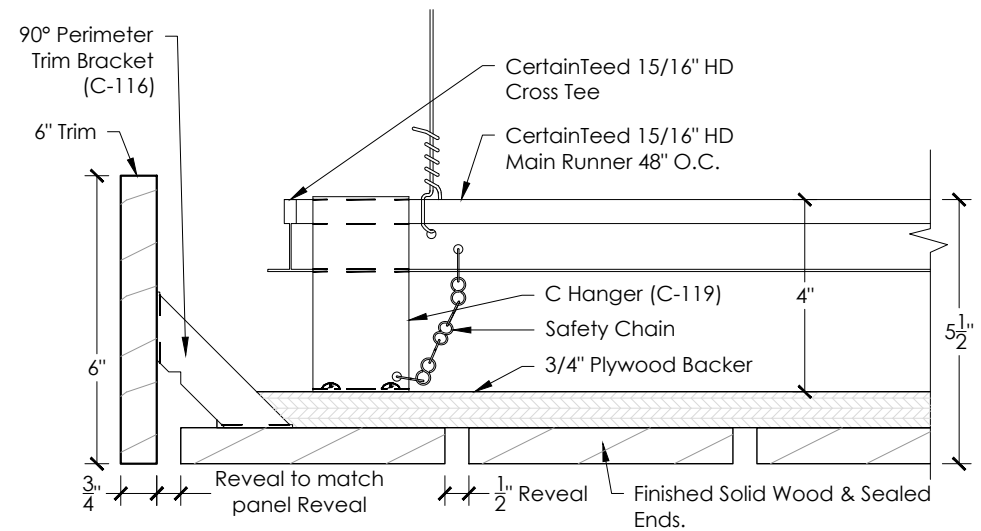
Scale: 3"=1'-0"



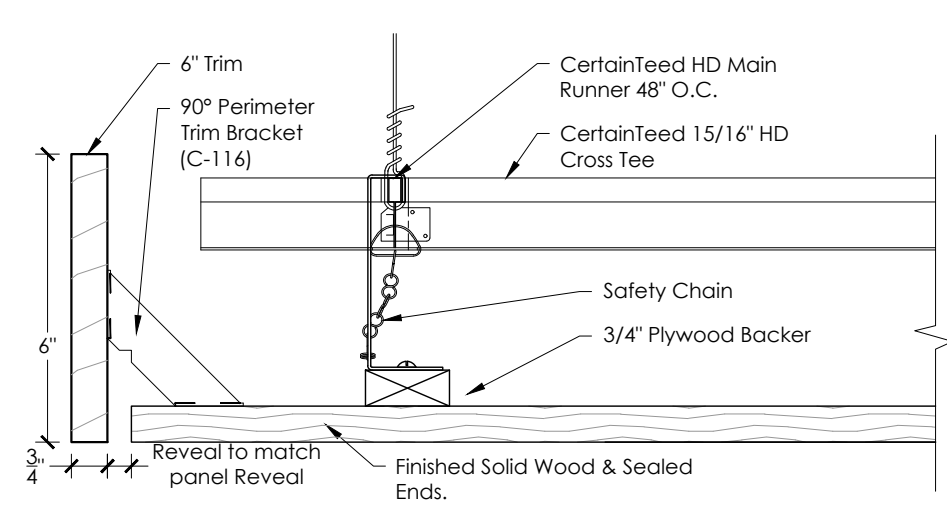
**D** 6220L6 Floating Edge Detail - Perpendicular

PD-12

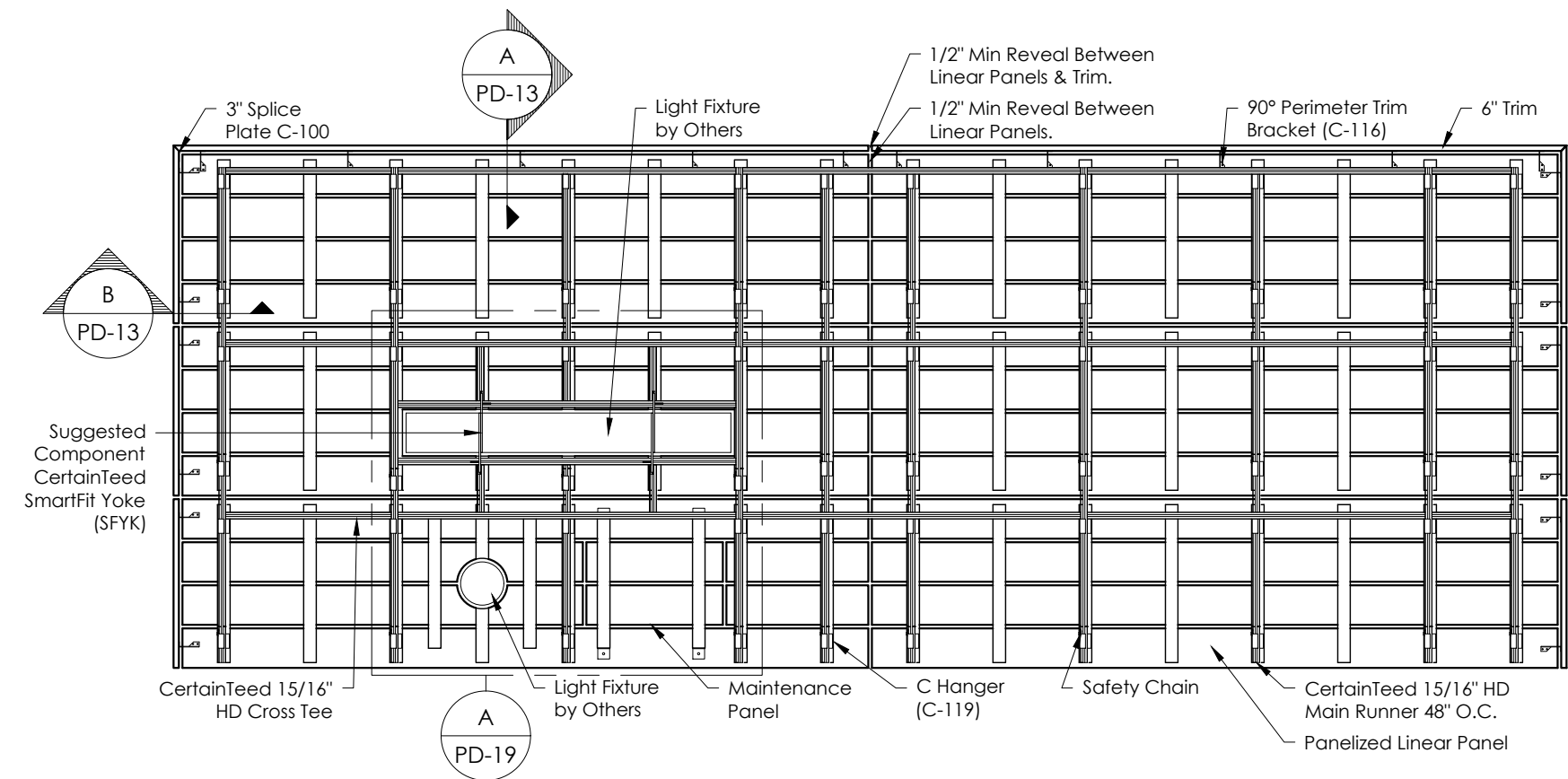
Scale: 3"=1'-0"



**A** 6220L6 Panel Mounted Perimeter Trim Detail - Parallel  
 PD-13 Scale: 3"=1'-0"



**B** 6220L6 Panel Mounted Perimeter Trim Detail - Perpendicular  
 PD-13 Scale: 3"=1'-0"

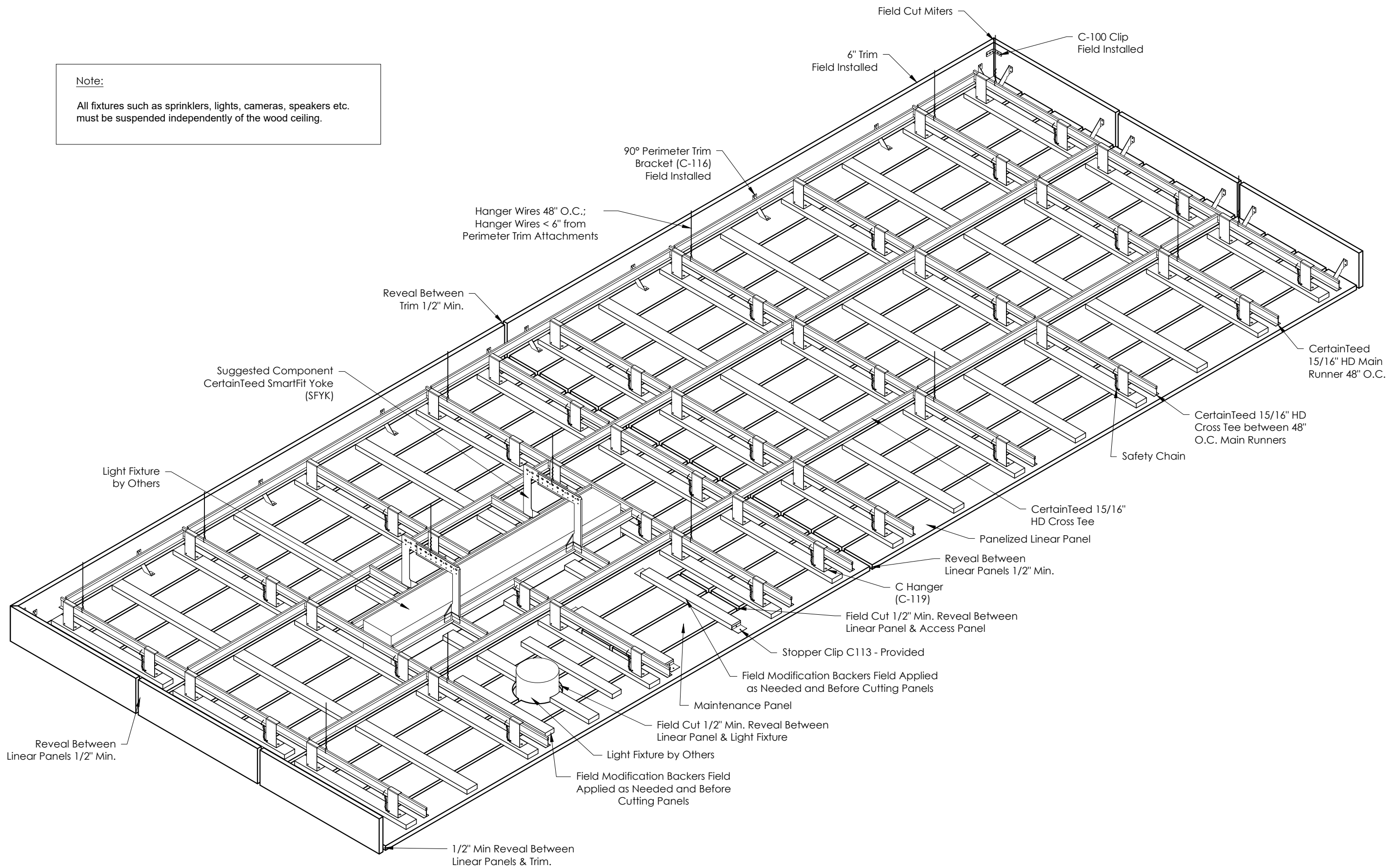


**C** 6220L6 Panel Mounted Trim Installation Back View  
 PD-13 Scale: 1/2"=1'-0"

DATE	REVISIONS	#

These drawings show typical conditions for installing the CertainTeed Ceilings product shown. They should not be construed as a substitute for an architectural or engineering design and do not reflect the unique requirements of local codes, laws, statutes or regulations that may be applicable for a specific installation. CertainTeed Ceilings assumes no liability for the accuracy or completeness of the drawings for a specific installation or the fitness of the drawings for a particular purpose. The user is advised to consult with local licenced design professionals in order to assure compliance with all legal requirements. CertainTeed Ceilings is not licenced to provide professional engineering or architectural services.

Note:  
All fixtures such as sprinklers, lights, cameras, speakers etc. must be suspended independently of the wood ceiling.



**A** 6220L6 Panel Mounted Isometric Trim Installation Back View

PD-14

Scale: 3/4"=1'-0"

Only the products that are identified as such on this document are FSC® certified

ARCHITECT

CUSTOMER

REPRESENTATIVE

DATE	REVISIONS	#

PROJECT TITLE

PROJECT LOCATION

SHEET REFERENCE  
6220L6 Concealed Access Panelized Linear

PRODUCT  
Ceiling Concealed Access Panelized Linear

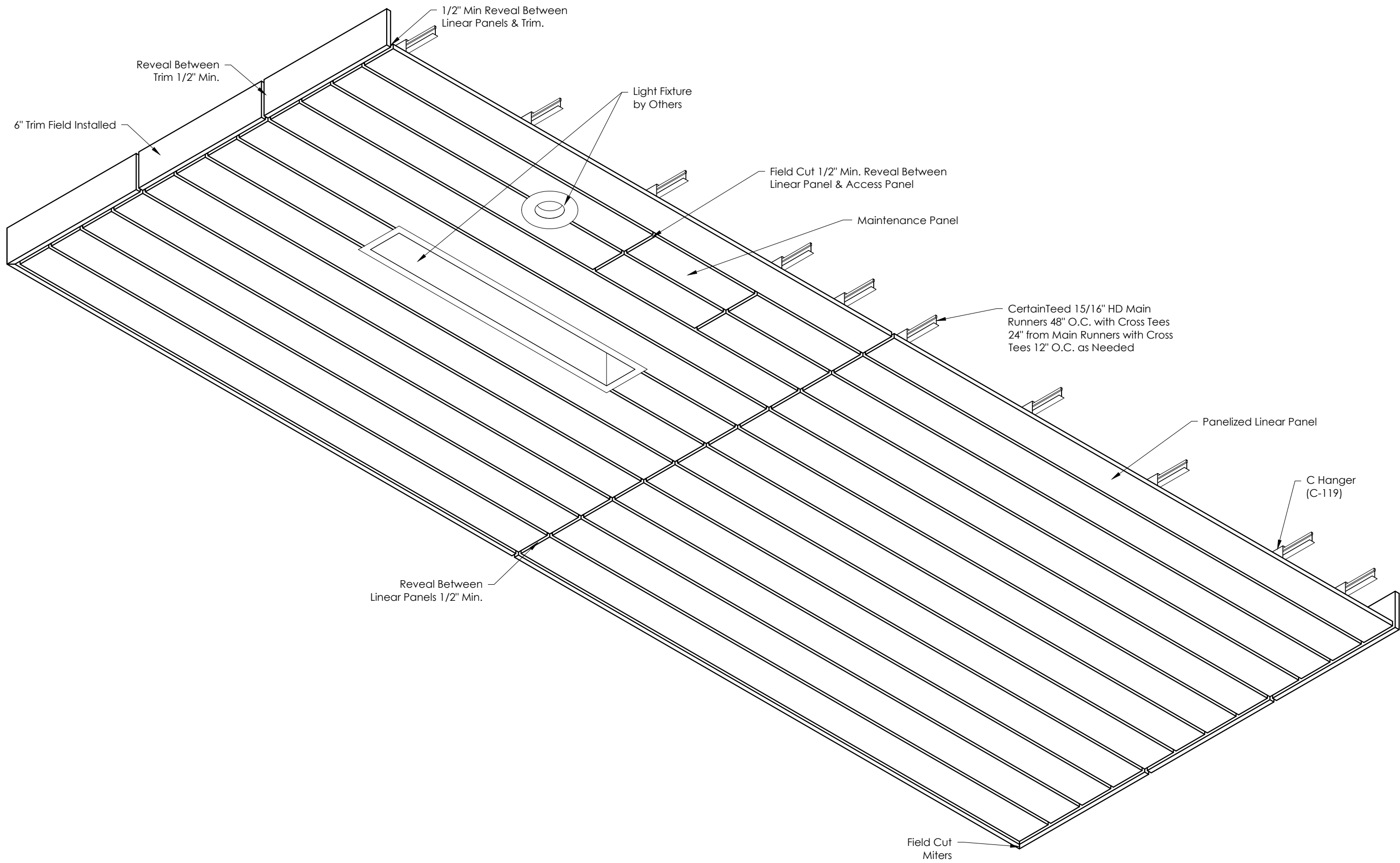
SHEET TITLE  
Panel Mounted Perimeter Trim Installation (see PD-16, PD-17, PD-18 for Suspension System Mounted Perimeter Trim)

DATE	DRWN	CHECK
02/12/21	A.D.	Z.D.

SHEET NO.

PD-14

These drawings show typical conditions for installing the CertainTeed Ceilings product shown. They should not be construed as a substitute for an architectural or engineering design and do not reflect the unique requirements of local codes, laws, statutes or regulations that may be applicable for a specific installation. CertainTeed Ceilings assumes no liability for the accuracy or completeness of the drawings for a specific installation or the fitness of the drawings for a particular purpose. The user is advised to consult with local licenced design professionals in order to assure compliance with all legal requirements. CertainTeed Ceilings is not licenced to provide professional engineering or architectural services.



**A** 6220L6 Panel Mounted Perimeter Trim Installation Isometric Face View  
 PD-15

Scale: 3/4"=1'-0"

Only the products that are identified as such on this document are FSC® certified

ARCHITECT

CUSTOMER

REPRESENTATIVE

DATE	REVISIONS	#

PROJECT TITLE

PROJECT LOCATION

SHEET REFERENCE  
 6220L6 Concealed Access Panelized Linear

PRODUCT  
 Ceiling Concealed Access Panelized Linear

SHEET TITLE  
 Panel Mounted Perimeter Trim Installation (see PD-16, PD-17, PD-18 for Suspension System Mounted Perimeter Trim)

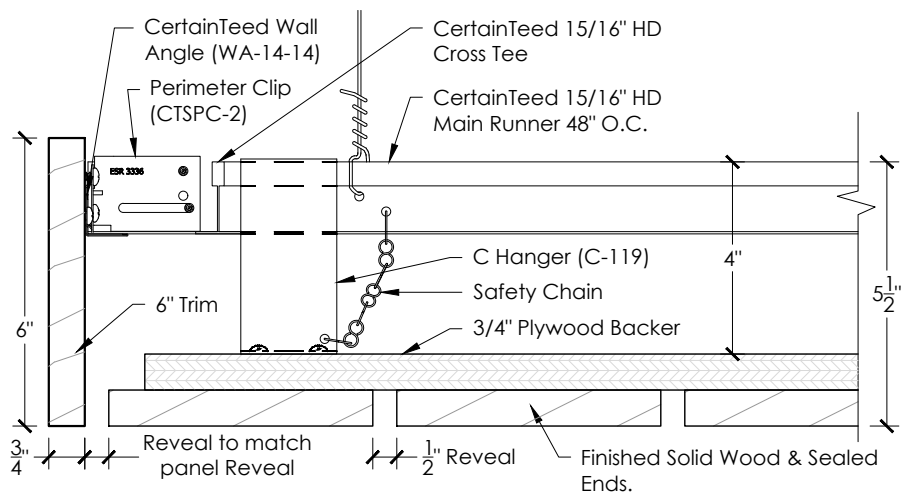
DATE	DRWN	CHECK
02/12/21	A.D.	Z.D.

SHEET NO.

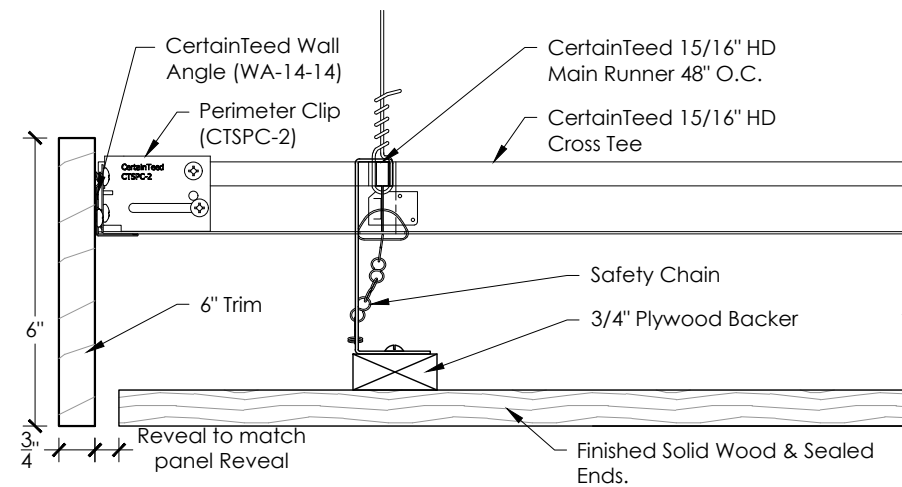
PD-15

These drawings show typical conditions for installing the CertainTeed Ceilings product shown. They should not be construed as a substitute for an architectural or engineering design and do not reflect the unique requirements of local codes, laws, statutes or regulations that may be applicable for a specific installation. CertainTeed Ceilings assumes no liability for the accuracy or completeness of the drawings for a specific installation or the fitness of the drawings for a particular purpose. The user is advised to consult with local licenced design professionals in order to assure compliance with all legal requirements. CertainTeed Ceilings is not licenced to provide professional engineering or architectural services.

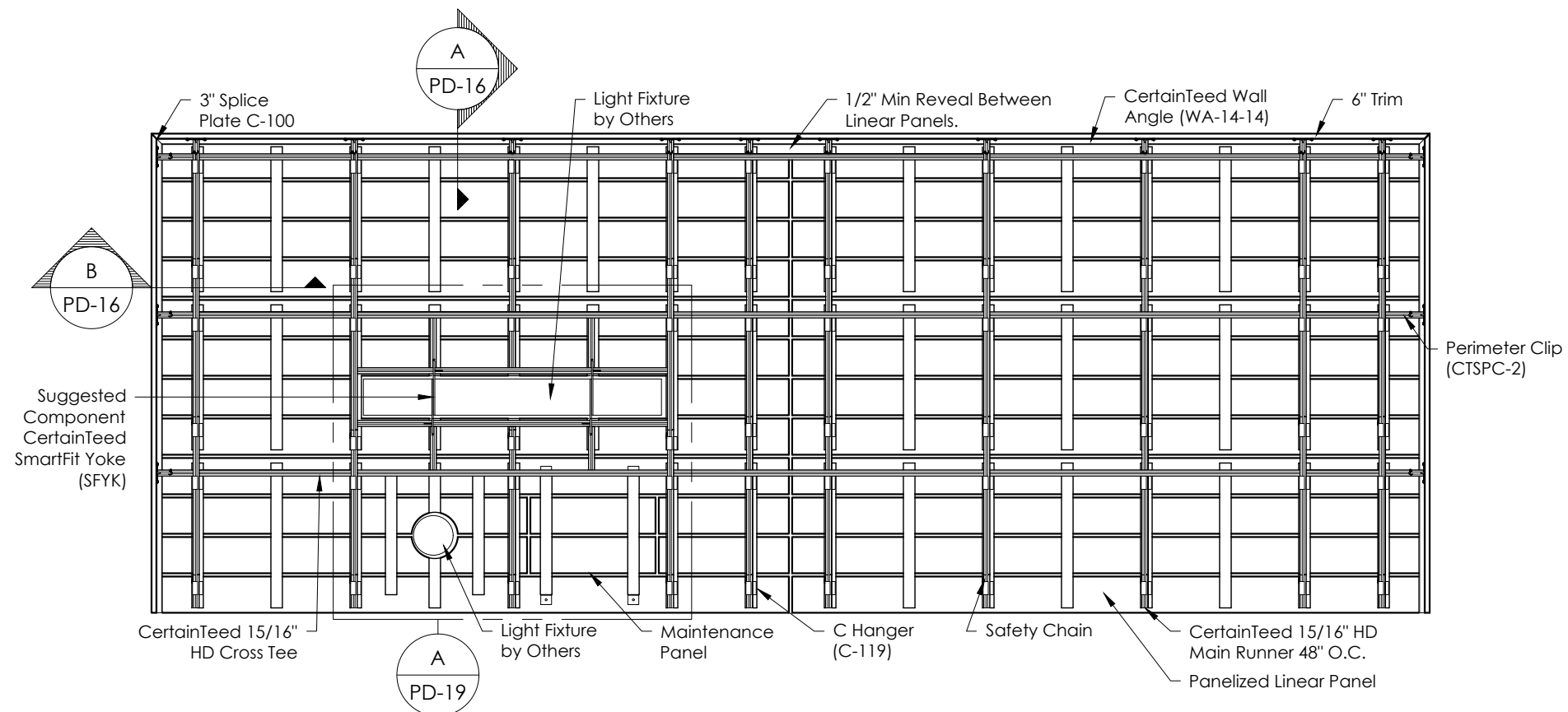




**A** 6220L6 Suspension System Mounted Perimeter Trim Detail - Parallel  
 PD-16 Optional Trim Attachment  
 Scale: 3"=1'-0"



**B** 6220L6 Suspension System Mounted Perimeter Trim Detail - Perpendicular  
 PD-16 Optional Trim Attachment  
 Scale: 3"=1'-0"



**C** 6220L6 Suspension System Mounted Perimeter Trim Installation Back View  
 PD-16 Optional Trim Attachment  
 Scale: 1/2"=1'-0"

Only the products that are identified as such on this document are FSC® certified

ARCHITECT
CUSTOMER
REPRESENTATIVE

DATE	REVISIONS	#

PROJECT TITLE

PROJECT LOCATION

SHEET REFERENCE  
 6220L6 Concealed Access Panelized Linear

PRODUCT  
 Ceiling Concealed Access Panelized Linear

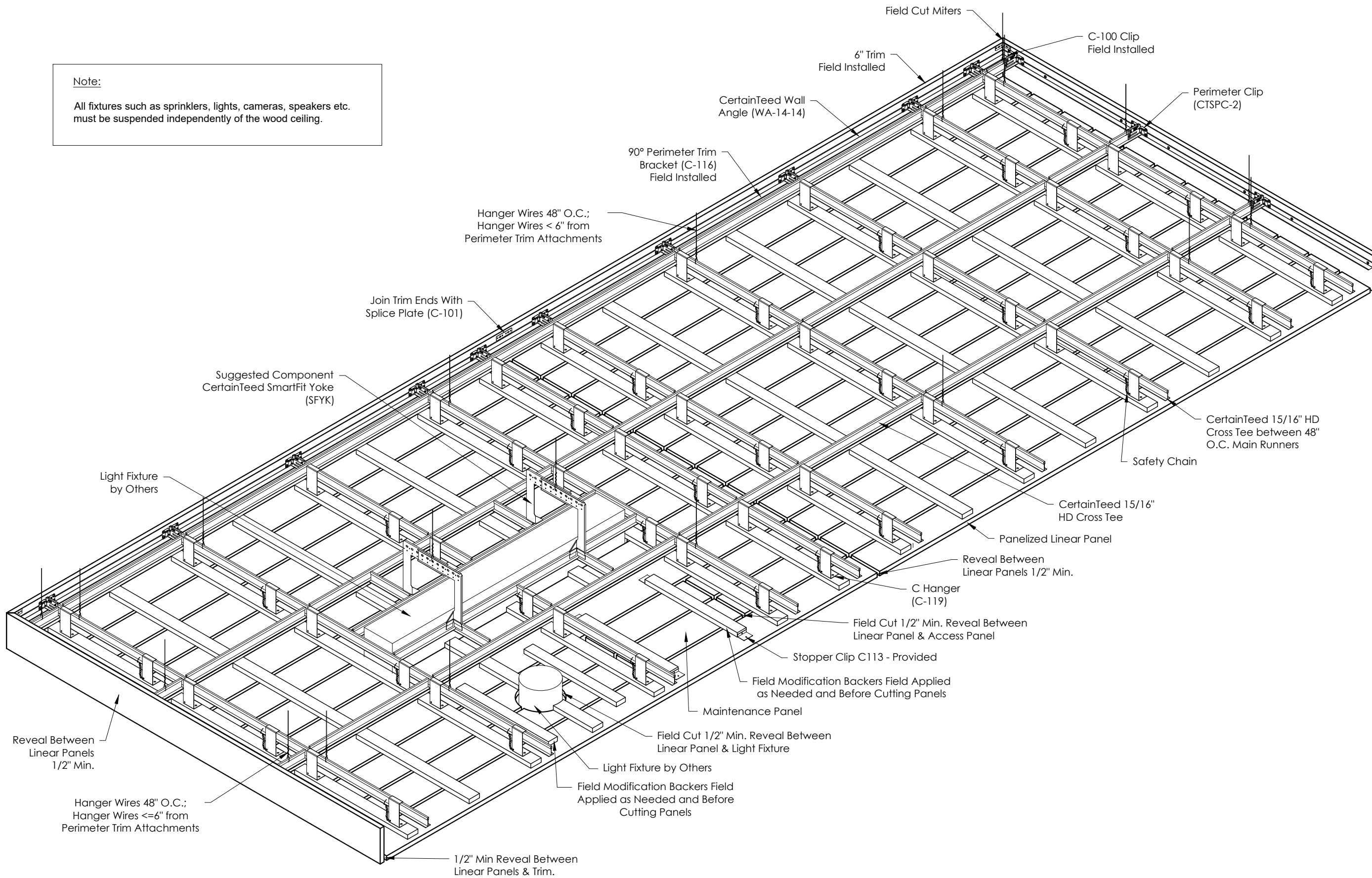
SHEET TITLE  
 Suspension System Mounted Perimeter Trim Installation (see PD-13 PD-14, PD-15 for Panel Mounted Perimeter Trim)

DATE	DRWN	CHECK
02/12/21	A.D.	Z.D.

SHEET NO.  
**PD-16**

These drawings show typical conditions for installing the CertainTeed Ceilings product shown. They should not be construed as a substitute for an architectural or engineering design and do not reflect the unique requirements of local codes, laws, statutes or regulations that may be applicable for a specific installation. CertainTeed Ceilings assumes no liability for the accuracy or completeness of the drawings for a specific installation or the fitness of the drawings for a particular purpose. The user is advised to consult with local licenced design professionals in order to assure compliance with all legal requirements. CertainTeed Ceilings is not licenced to provide professional engineering or architectural services.

**Note:**  
All fixtures such as sprinklers, lights, cameras, speakers etc. must be suspended independently of the wood ceiling.



**A** 6220L6 Suspension System Mounted Trim Installation Isometric Back View  
PD-17

Scale: 3/4"=1'-0"

Only the products that are identified as such on this document are FSC® certified

ARCHITECT

CUSTOMER

REPRESENTATIVE

DATE	REVISIONS	#

PROJECT TITLE

PROJECT LOCATION

SHEET REFERENCE  
6220L6 Concealed Access Panelized Linear

PRODUCT  
Ceiling Concealed Access Panelized Linear

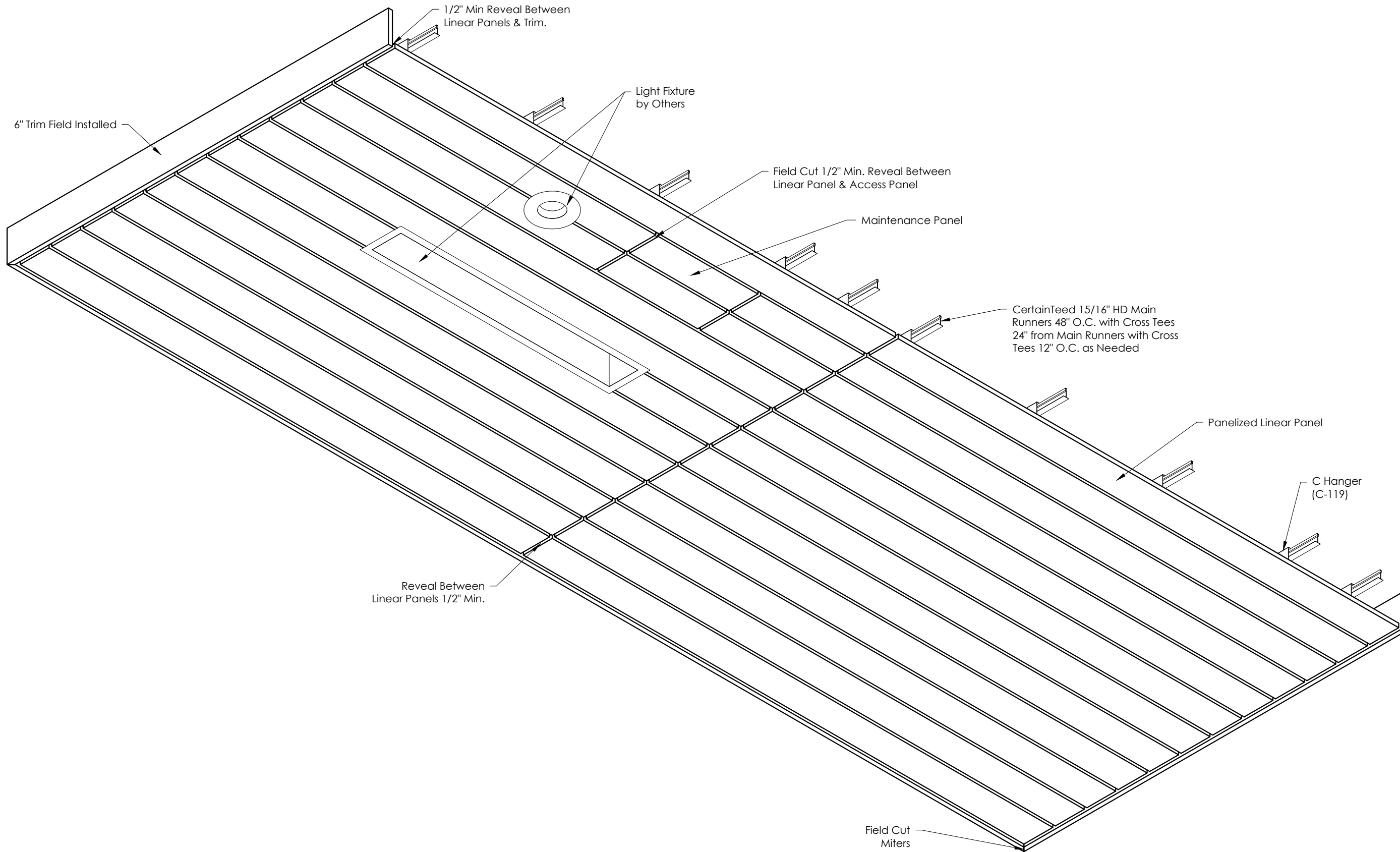
SHEET TITLE  
Suspension System Mounted Perimeter Trim Installation (see PD-13 PD-14, PD-15 for Panel Mounted Perimeter Trim)

DATE	DRWN	CHECK
02/12/21	A.D.	Z.D.

SHEET NO.

PD-17

These drawings show typical conditions for installing the CertainTeed Ceilings product shown. They should not be construed as a substitute for an architectural or engineering design and do not reflect the unique requirements of local codes, laws, statutes or regulations that may be applicable for a specific installation. CertainTeed Ceilings assumes no liability for the accuracy or completeness of the drawings for a specific installation or the fitness of the drawings for a particular purpose. The user is advised to consult with local licenced design professionals in order to assure compliance with all legal requirements. CertainTeed Ceilings is not licenced to provide professional engineering or architectural services.



**A** 6220L6 Suspension System Mounted Trim Installation Isometric Face View

PD-18

Scale: 3/4"=1'-0"

Only the products that are identified as such on this document are FSC® certified

ARCHITECT

CUSTOMER

REPRESENTATIVE

DATE	REVISIONS	#

PROJECT TITLE

PROJECT LOCATION

SHEET REFERENCE  
 6220L6 Concealed Access Panelized Linear

PRODUCT  
 Ceiling Concealed Access Panelized Linear

SHEET TITLE  
 Suspension System Mounted Perimeter Trim Installation (see PD-13 PD-14, PD-15 for Panel Mounted Perimeter Trim)

DATE	DRWN	CHECK
02/12/21	A.D.	Z.D.

SHEET NO.

**PD-18**

These drawings show typical conditions for installing the CertainTeed Ceilings product shown. They should not be construed as a substitute for an architectural or engineering design and do not reflect the unique requirements of local codes, laws, statutes or regulations that may be applicable for a specific installation. CertainTeed Ceilings assumes no liability for the accuracy or completeness of the drawings for a specific installation or the fitness of the drawings for a particular purpose. The user is advised to consult with local licensed design professionals in order to assure compliance with all legal requirements. CertainTeed Ceilings is not licensed to provide professional engineering or architectural services.

DATE	REVISIONS	#

PROJECT TITLE

PROJECT LOCATION

SHEET REFERENCE  
6220L6 Concealed Access Panelized Linear

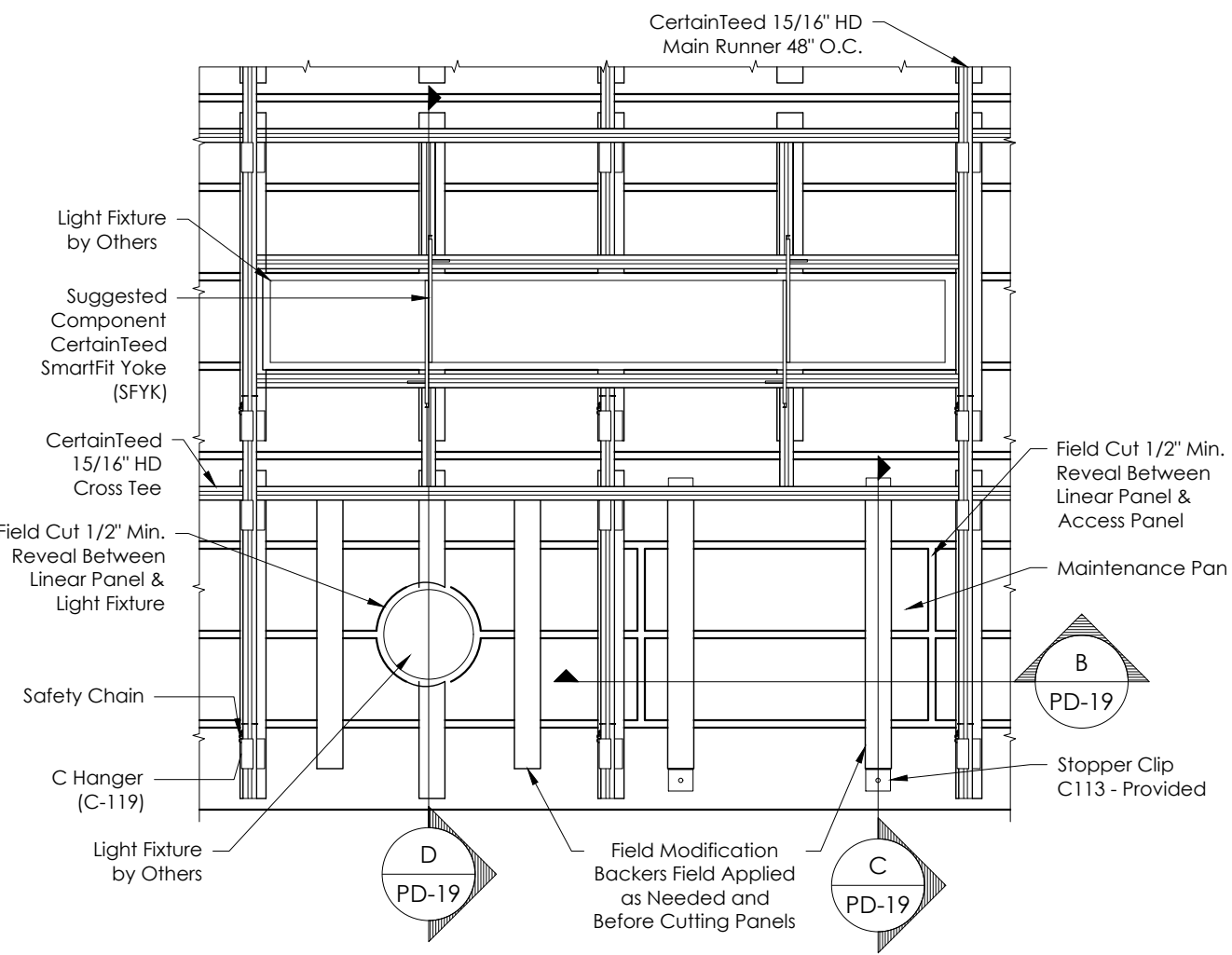
PRODUCT  
Ceiling Concealed Access Panelized Linear

SHEET TITLE  
Fixture Integration and Access Panels

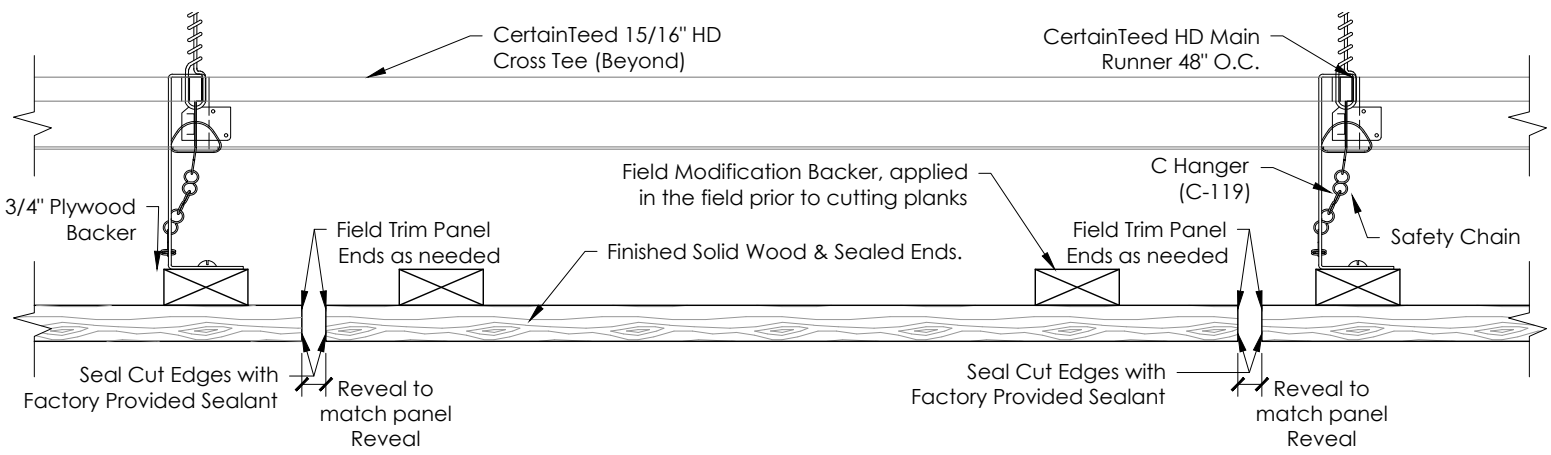
DATE	DRWN	CHECK
02/12/21	A.D.	Z.D.

SHEET NO.

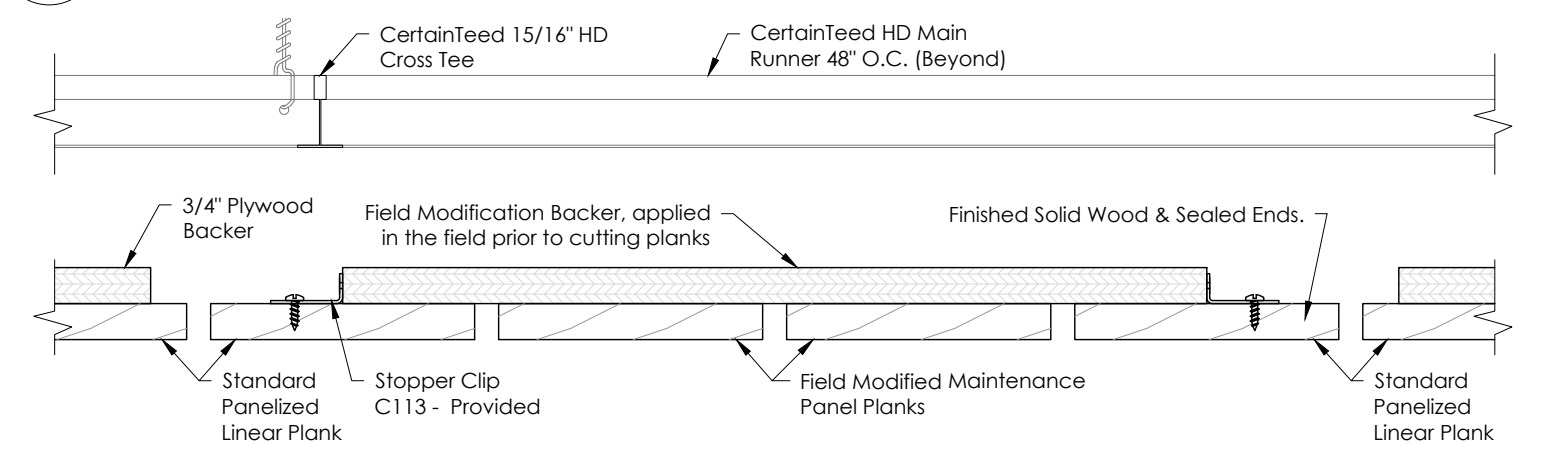
PD-19



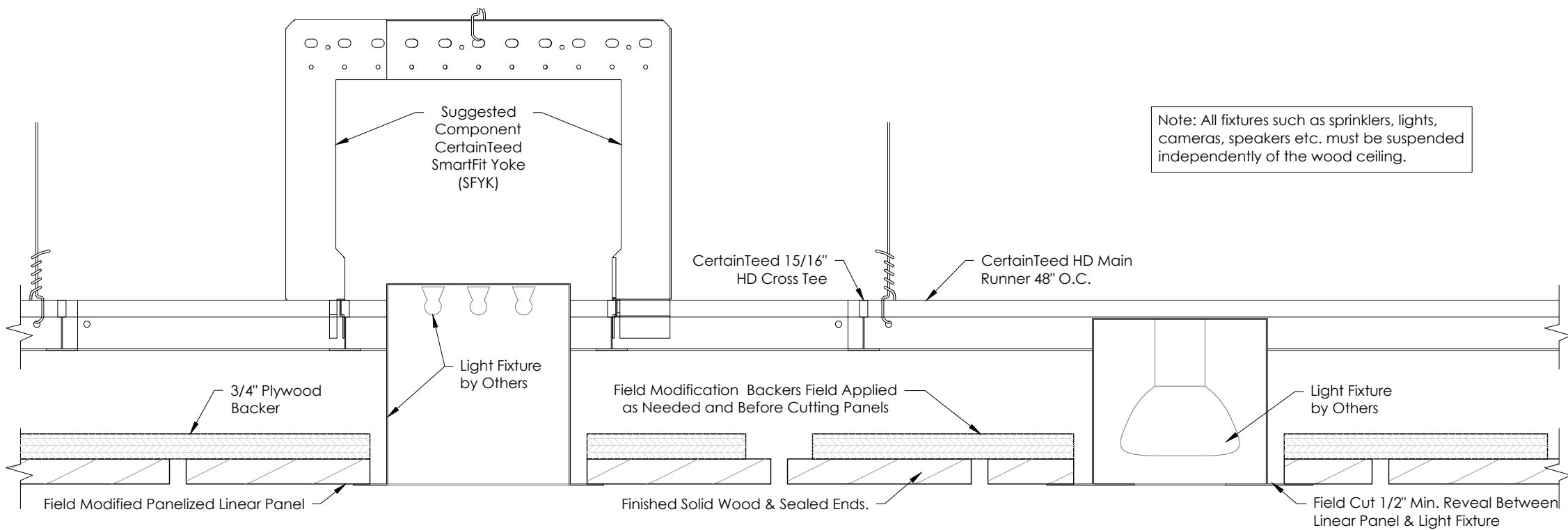
**A** 6220L6 Enlarged Back View at Light & Maintenance Panel  
PD-19 Scale: 1-1/2"=1'-0"



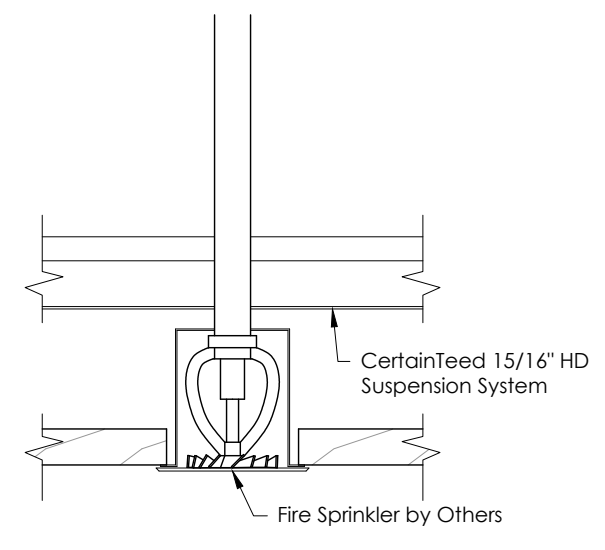
**B** 6220L6 Maintenance Panel Detail - Perpendicular  
PD-19 Scale: 3"=1'-0"



**C** 6220L6 Maintenance Panel Detail - Parallel  
PD-19 Scale: 3"=1'-0"



**D** 6220L6 Light Fixture Detail - Parallel  
PD-19 Scale: 3"=1'-0"



**E** Sprinkler Detail  
PD-19 Scale: 3"=1'-0"

Note: All fixtures such as sprinklers, lights, cameras, speakers etc. must be suspended independently of the wood ceiling.

These drawings show typical conditions for installing the CertainTeed Ceilings product shown. They should not be construed as a substitute for an architectural or engineering design and do not reflect the unique requirements of local codes, laws, statutes or regulations that may be applicable for a specific installation. CertainTeed Ceilings assumes no liability for the accuracy or completeness of the drawings for a specific installation or the fitness of the drawings for a particular purpose. The user is advised to consult with local licenced design professionals in order to assure compliance with all legal requirements. CertainTeed Ceilings is not licenced to provide professional engineering or architectural services.



<b>Linear Wood</b> - Rectangular boards oriented horizontally.	
Board Length: $\pm 0.062''$ (1/16")	Blade Width: $\pm 0.062''$ (1/16")
Board Thickness	$\pm 0.031''$ (1/32")
Linear Reveal Width (D)	$\leq 0.062''$ (1/16")
Bowing (Upward in 24")	$\leq 0.062''$ (1/16")
Crook (Deviation in 24")	$\pm 0.062''$ (1/16")
Cupping (6" wide board)	$\pm 0.031''$ (1/32")
Board end squareness	$\pm 0.25''$
(F)= Per 6" high blade	

<b>Wood Veneer Panels</b> - Square or rectangular boards oriented horizontally. Includes independently suspended and lay-in panels.	
Panel Width/Length: $\pm 0.062''$ (1/16")	Panel Thickness: $\pm 0.031''$ (1/32")
Panel Squareness Diagonals up to 60" Diagonals over 60" to 120"	$\pm 0.062$ (1/16") $\pm 0.125$ (1/8")
Cupping (deviation from flatness) at midpoint, diagonal to 60" at midpoint, diagonal over 60"	$\pm 0.125$ (1/8") $\pm 0.187$ (3/16")
Bowing (along edge) along length up to 24" along length 24" to 48" along length 48" to 96"	$\pm 0.062''$ (1/16") $\pm 0.125''$ (1/8") $\pm 0.187''$ (3/16")
Panel-to-Panel stepping (g)	$\pm 0.062''$ (1/16")
(G)= Installed allowance between panels	

**Ordering Notes:**  
All dimensions are shown for reference and will have to be modified for field installation. Dimensions are to be field verified prior to fabrication. Changes in dimensions may result in quantity adjustments. Closet stock and spares are not included and must be added to quantity shown if needed. Utilize the use of cut-offs where appropriate - product quantities based on partial products being used.

**Suspension System Components and Accessories:**  
CertainTeed 15/16" & 9/16"HD acoustical suspension systems sold separately.  
Visit [www.certainteed.com/suspension-systems/](http://www.certainteed.com/suspension-systems/) for more information and purchasing options.

**Installation Notes:**  
Wood is a natural material with varying grain and color characteristics, making each installation uniquely beautiful. Characteristics may vary from panel to panel. If desired, for greater visual consistency, the products should be laid out and arranged in advance of installation to achieve the desired effect. All products should be reviewed before installation to avoid undesirable visual pattern because of natural color and grain variations.

Wood panels must be acclimatized for 72 hours prior to installation. Maintain relative humidity between 25% and 55% and temperature between 50°F and 86°F (10°C and 30°C) for the life of the product, unless otherwise noted in order, quote, and submittal documents. Fixtures and MEP devices to be hung independently from ceiling support system.


Fixtures and MEP devices may include but are not limited to: light fixtures, HVAC diffusers, sprinkler heads and/or piping, speakers, security cameras, components, décor, etc.

Reflected ceiling drawings will include penetrations of limited light fixtures and HVAC registers only when the size of the wood is impacted. Other penetrations, including but not limited to sprinklers, security cameras audio-visual, etc., are typically not included in the drawing set as placement and code requirements vary by product and jurisdiction.

Fixtures and MEP devices shown are for reference only; unless otherwise noted all fixtures and MEP devices by others. Contractor to follow CISCA guidelines for suspension system installation. Wood ceilings are typically heavier than other ceiling products. Follow manufacturer load requirements and installation specifications based on the weights and dimensions of product being installed.

All field cut products must be sealed with a clear sealer or stained then sealed.

See Product Detail Sets for edge condition details.



CertainTeed Ceiling Corporation  
20 Moores Road  
Malvern, PA 19355  
800-233-8990

The mark of responsible forestry  
FSC® C151918 Certificate Code: SCS-COC-006960

Only the products that are identified as such on this document are FSC® certified

ARCHITECT

CUSTOMER

REPRESENTATIVE

DATE	REVISIONS	#

PROJECT TITLE

PROJECT LOCATION

SHEET REFERENCE  
6220L6 Concealed Access Panelized Linear

PRODUCT  
Ceiling Concealed Access Panelized Linear

SHEET TITLE  
CISCA Tolerances, Product Notes, and Ordering Notes

DATE	DRWN	CHECK
02/12/21	A.D.	Z.D.

SHEET NO.

PD-20