

ARCHITECTURAL

CertainTeed
SAINT-GOBAIN

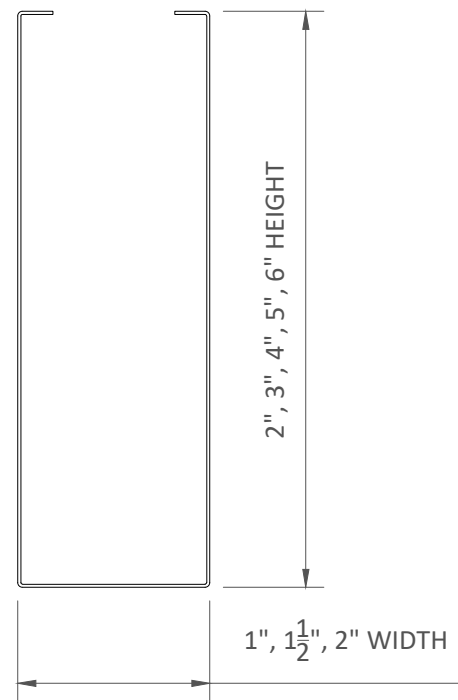
5015 Oakbrook Parkway, Suite 100
Norcross, GA 30093
O 800 366 4327
F 770 806 0214
www.certainteed.com/architectural

SPECIFICATIONS
(unless noted otherwise)

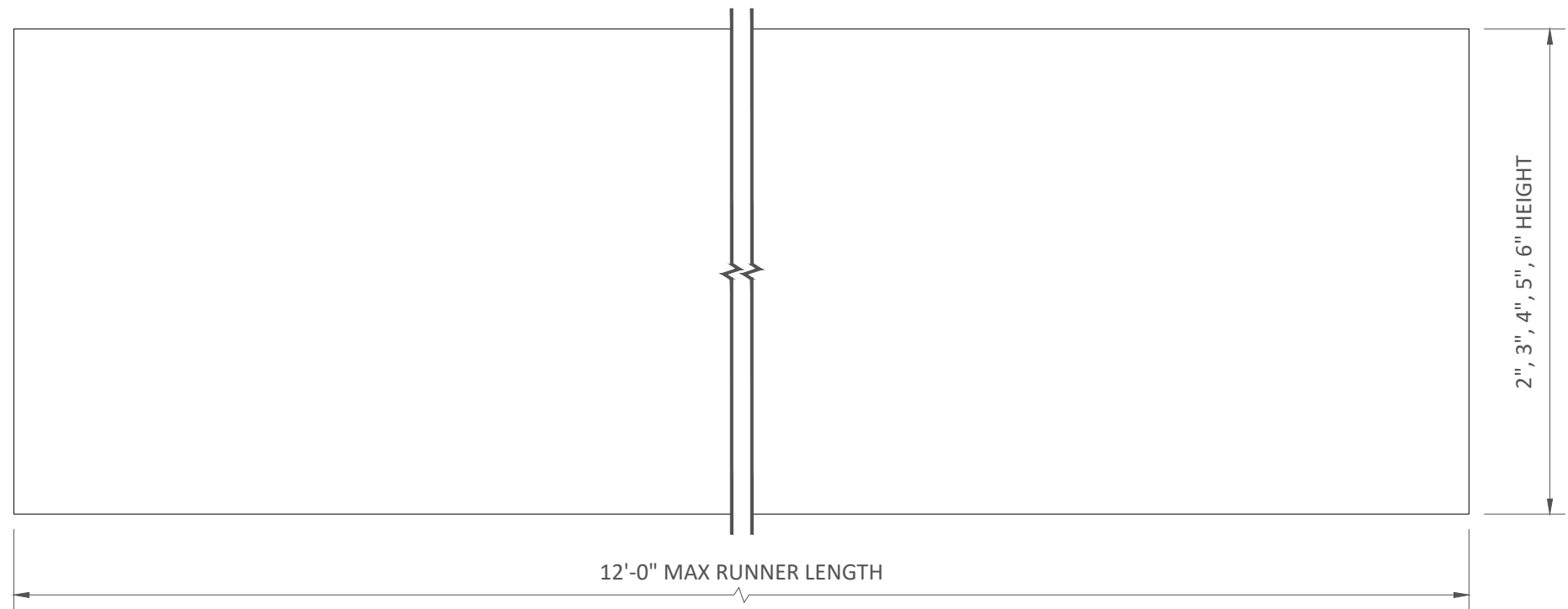
MATERIAL: .025" | .032" | .040" ALUMINUM
FINISH: PAINT | POWDER COAT | DECORATED WOOD FINISH
PERFORATION: NOT AVAILABLE

OVERALL ISOMETRIC VIEW
PROJECT: TAVOLA FRAMES PRODUCT SPECIFICATIONS
DRAWING NUMBER: TAVOLA-FRAMES-A1.0
SCALE: AS SHOWN
DRAWN BY: CTA ENGINEERING
DATE: 6/1/21

These drawings show typical conditions for installing the CertainTeed product shown. They should not be construed as a substitute for an architectural or engineering design and do not reflect the unique requirements of local codes, laws, statutes or regulations that may be applicable for a specific installation. CertainTeed assumes no liability for the accuracy or completeness of the drawings for a specific installation or the fitness of the drawings for a particular purpose. The user is advised to consult with local licensed design professionals in order to assure compliance with all legal requirements. CertainTeed is not licensed to provide professional engineering or architectural services.



RUNNER END & SIDE VIEW
SCALE: NOT TO SCALE



RUNNER SIZES

RUNNER SIZES ARE DIMENSIONED WIDTH X HEIGHT

WIDTHS & HEIGHTS ARE AVAILABLE IN 1/2" INCREMENTS, CONTACT CERTAINTED FOR OTHER SIZES

MODULES

TAVOLA FRAMES CAN BE CONFIGURED WITH SQUARE OR RECTANGULAR MODULES

CUSTOM MODULES AVAILABLE, CONTACT CERTAINTED

RUNNER MATERIAL

.025", .032", .040" ALUMINUM

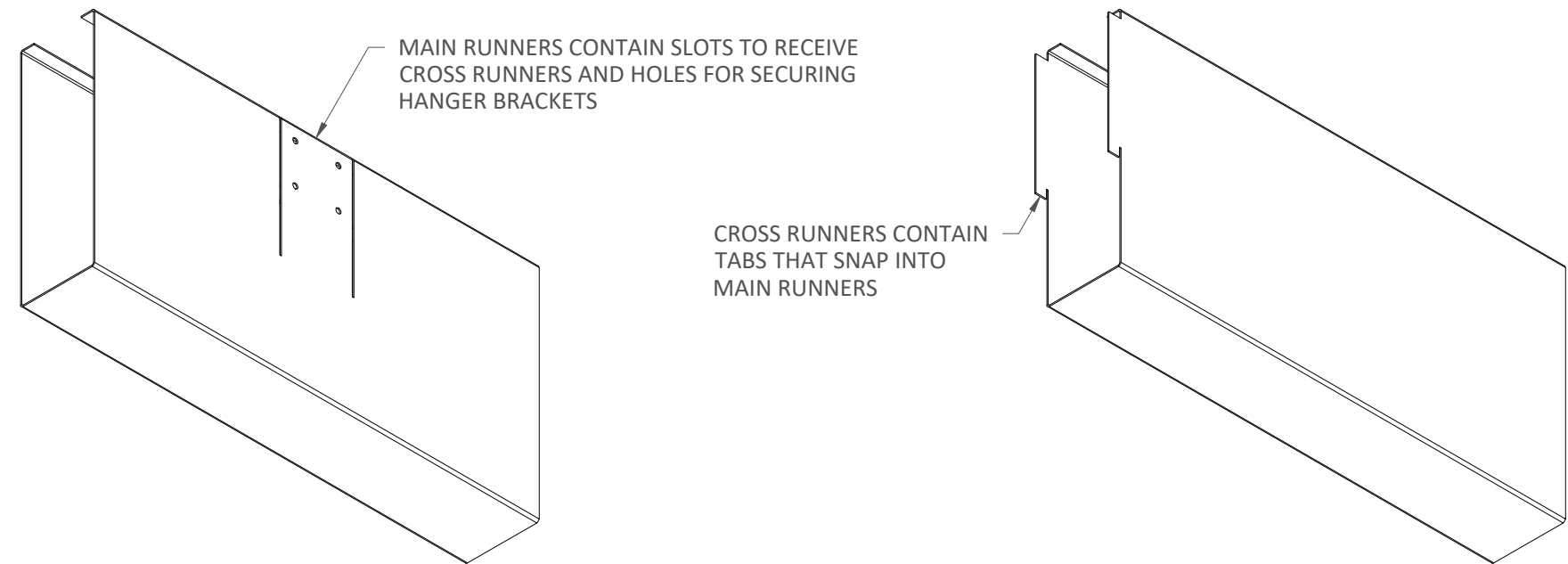
RUNNER FINISHES

PAINTED & POWDER COATED

DECORATED WOOD FINISH (POWDER COATED)

PERFORATIONS

NOT AVAILABLE



RUNNER TYPES
SCALE: NOT TO SCALE

ARCHITECTURAL

CertainTeed
SAINT-GOBAIN

5015 Oakbrook Parkway, Suite 100
Norcross, GA 30093
O 800 366 4327
F 770 806 0214
www.certainteed.com/architectural

SPECIFICATIONS

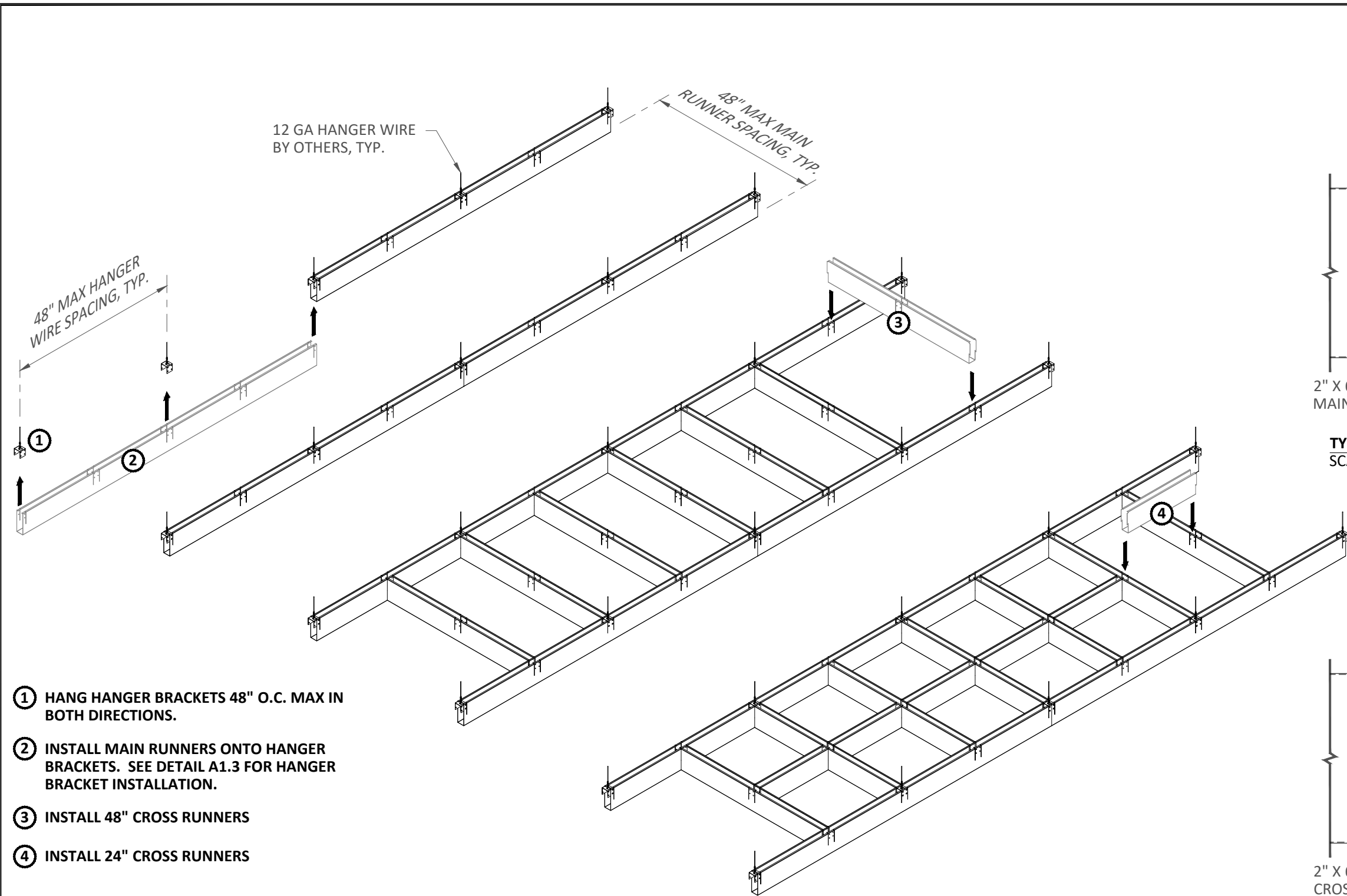
(unless noted otherwise)

MATERIAL: .025" | .032" | .040" ALUMINUM
FINISH: PAINT | POWDER COAT | DECORATED WOOD FINISH
PERFORATION: NOT AVAILABLE

RUNNER SPECIFICATIONS

PROJECT: TAVOLA FRAMES PRODUCT SPECIFICATIONS
DRAWING NUMBER: TAVOLA-FRAMES-A1.1
SCALE: AS SHOWN
DRAWN BY: CTA ENGINEERING
DATE: 6/1/21

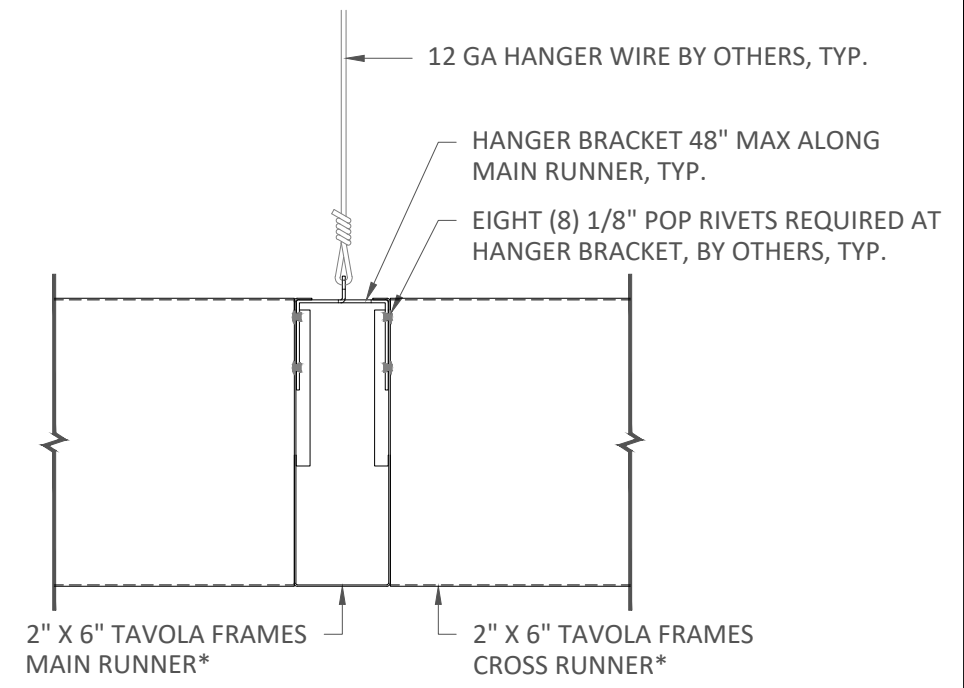
These drawings show typical conditions for installing the CertainTeed product shown. They should not be construed as a substitute for an architectural or engineering design and do not reflect the unique requirements of local codes, laws, statutes or regulations that may be applicable for a specific installation. CertainTeed assumes no liability for the accuracy or completeness of the drawings for a specific installation or the fitness of the drawings for a particular purpose. The user is advised to consult with local licensed design professionals in order to assure compliance with all legal requirements. CertainTeed is not licensed to provide professional engineering or architectural services.



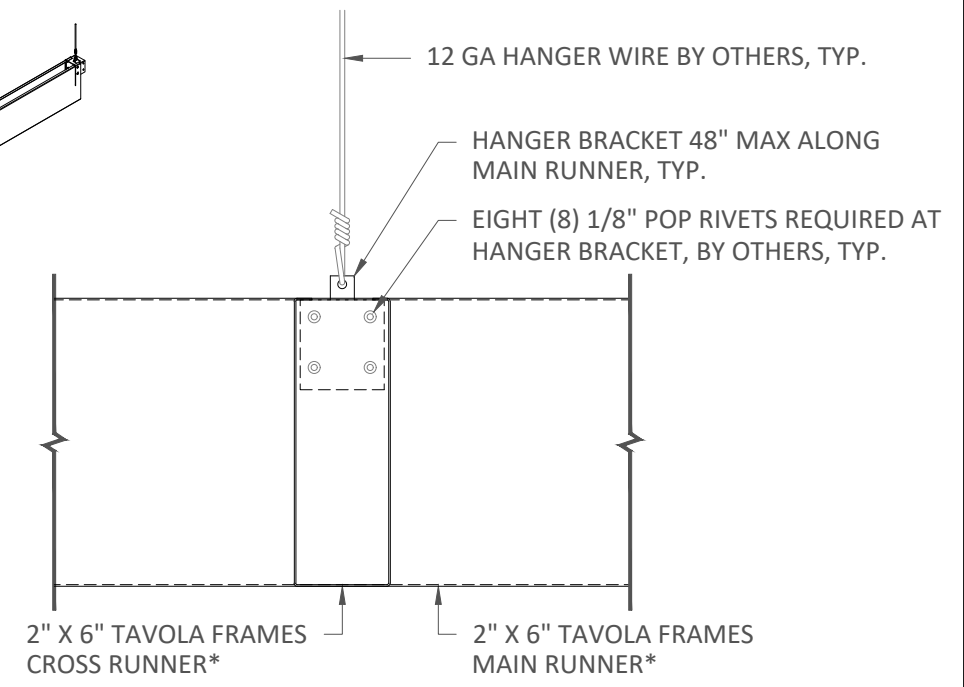
- ① HANG HANGER BRACKETS 48" O.C. MAX IN BOTH DIRECTIONS.
- ② INSTALL MAIN RUNNERS ONTO HANGER BRACKETS. SEE DETAIL A1.3 FOR HANGER BRACKET INSTALLATION.
- ③ INSTALL 48" CROSS RUNNERS
- ④ INSTALL 24" CROSS RUNNERS

TYPICAL INSTALLATION
SCALE: NOT TO SCALE

INTERIOR INSTALLATION



TYPICAL SECTION THROUGH MAIN RUNNER
SCALE: 3" = 1'-0"



TYPICAL SECTION THROUGH CROSS RUNNER
SCALE: 3" = 1'-0"

NOTE:
ATTACHMENT TO STRUCTURE
DESIGNED AND PROVIDED BY OTHERS,
NOT BY CERTAINTEED.

*2" X 6" TAVOLA FRAMES 24" O.C. SHOWN, ALL SIZES SIMILAR

ARCHITECTURAL **CertainTeed**
SAINT-GOBAIN

5015 Oakbrook Parkway, Suite 100
Norcross, GA 30093
O 800 366 4327
F 770 806 0214
www.certainteed.com/architectural

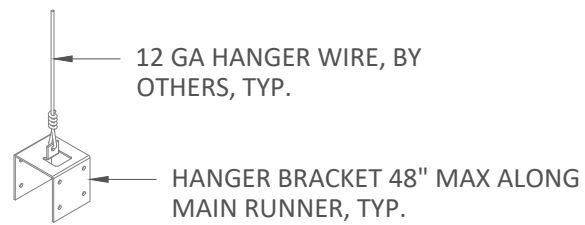
These drawings show typical conditions for installing the CertainTeed product shown. They should not be construed as a substitute for an architectural or engineering design and do not reflect the unique requirements of local codes, laws, statutes or regulations that may be applicable for a specific installation. CertainTeed assumes no liability for the accuracy or completeness of the drawings for a specific installation or the fitness of the drawings for a particular purpose. The user is advised to consult with local licensed design professionals in order to assure compliance with all legal requirements. CertainTeed is not licensed to provide professional engineering or architectural services.

SPECIFICATIONS
(unless noted otherwise)

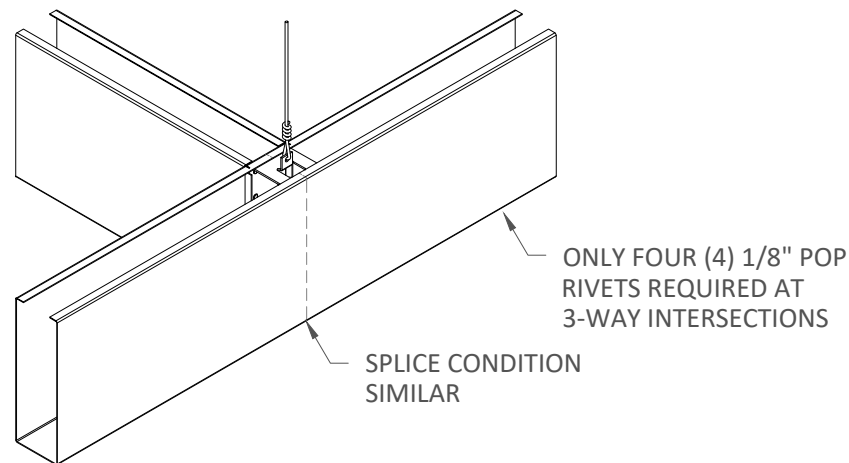
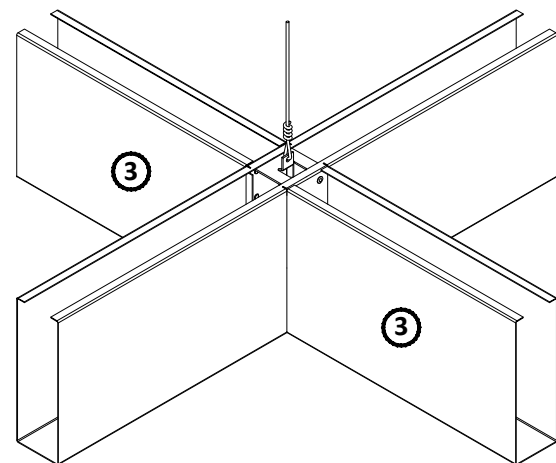
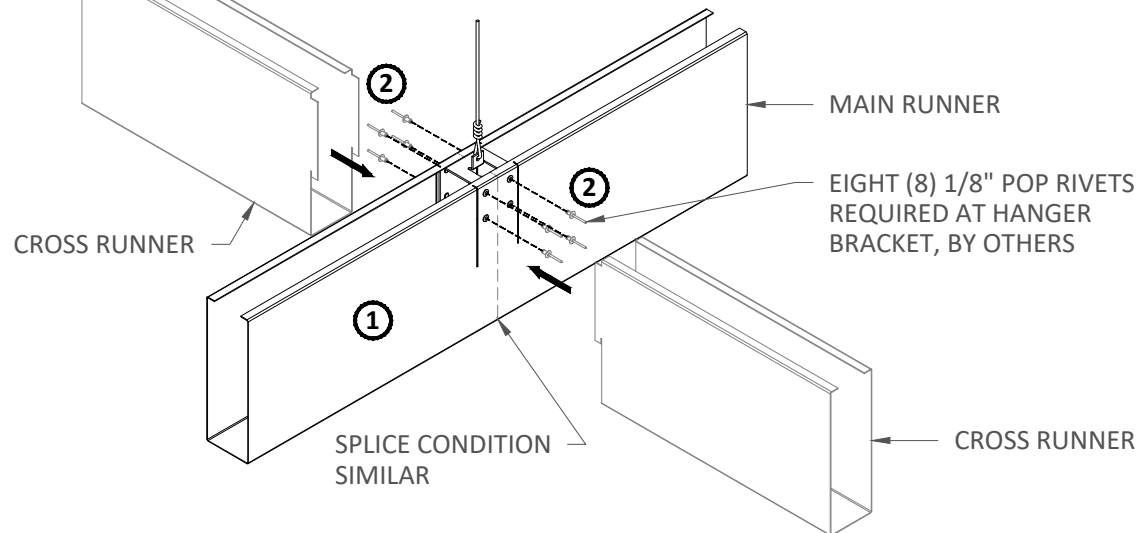
MATERIAL: .025" | .032" | .040" ALUMINUM
FINISH: PAINT | POWDER COAT | DECORATED WOOD FINISH
PERFORATION: NOT AVAILABLE

SUSPENSION SPECIFICATIONS

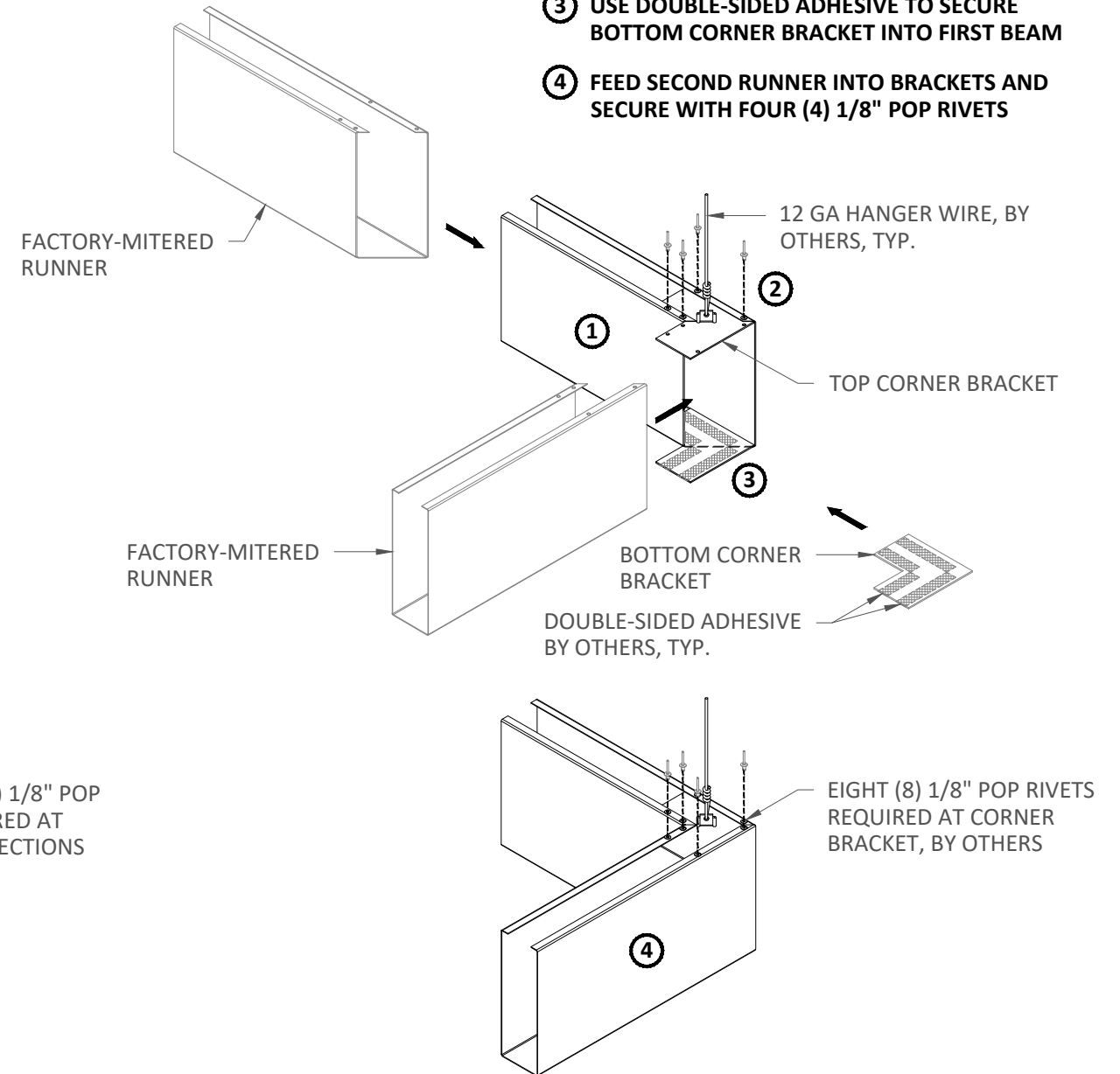
PROJECT: TAVOLA FRAMES PRODUCT SPECIFICATIONS
DRAWING NUMBER: TAVOLA-FRAMES-A1.2
SCALE: AS SHOWN
DRAWN BY: CTA ENGINEERING
DATE: 6/1/21



- ① FLEX TOP OF MAIN RUNNER OVER HANGER BRACKET AND ALIGN POP RIVET HOLES
- ② SECURE HANGER BRACKET WITH FOUR (4) 1/8" POP RIVETS ON EACH SIDE, EIGHT (8) TOTAL
- ③ INSTALL INSTALL CROSS RUNNERS AS REQUIRED



- ① FEED FACTORY-MITERED RUNNER OVER TOP CORNER BRACKET AND ALIGN POP RIVET HOLES
- ② SECURE TOP CORNER BRACKET WITH FOUR (4) 1/8" POP RIVETS
- ③ USE DOUBLE-SIDED ADHESIVE TO SECURE BOTTOM CORNER BRACKET INTO FIRST BEAM
- ④ FEED SECOND RUNNER INTO BRACKETS AND SECURE WITH FOUR (4) 1/8" POP RIVETS



HANGER BRACKET INSTALLATION
SCALE: NOT TO SCALE

CORNER BRACKET INSTALLATION
SCALE: NOT TO SCALE

*2" X 6" TAVOLA FRAMES SHOWN, ALL SIZES SIMILAR

ARCHITECTURAL

CertainTeed
SAINT-GOBAIN

5015 Oakbrook Parkway, Suite 100
Norcross, GA 30093
O 800 366 4327
F 770 806 0214
www.certainteed.com/architectural

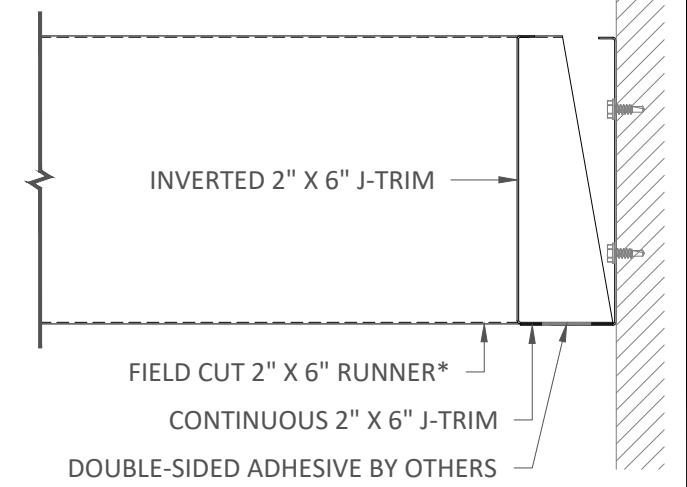
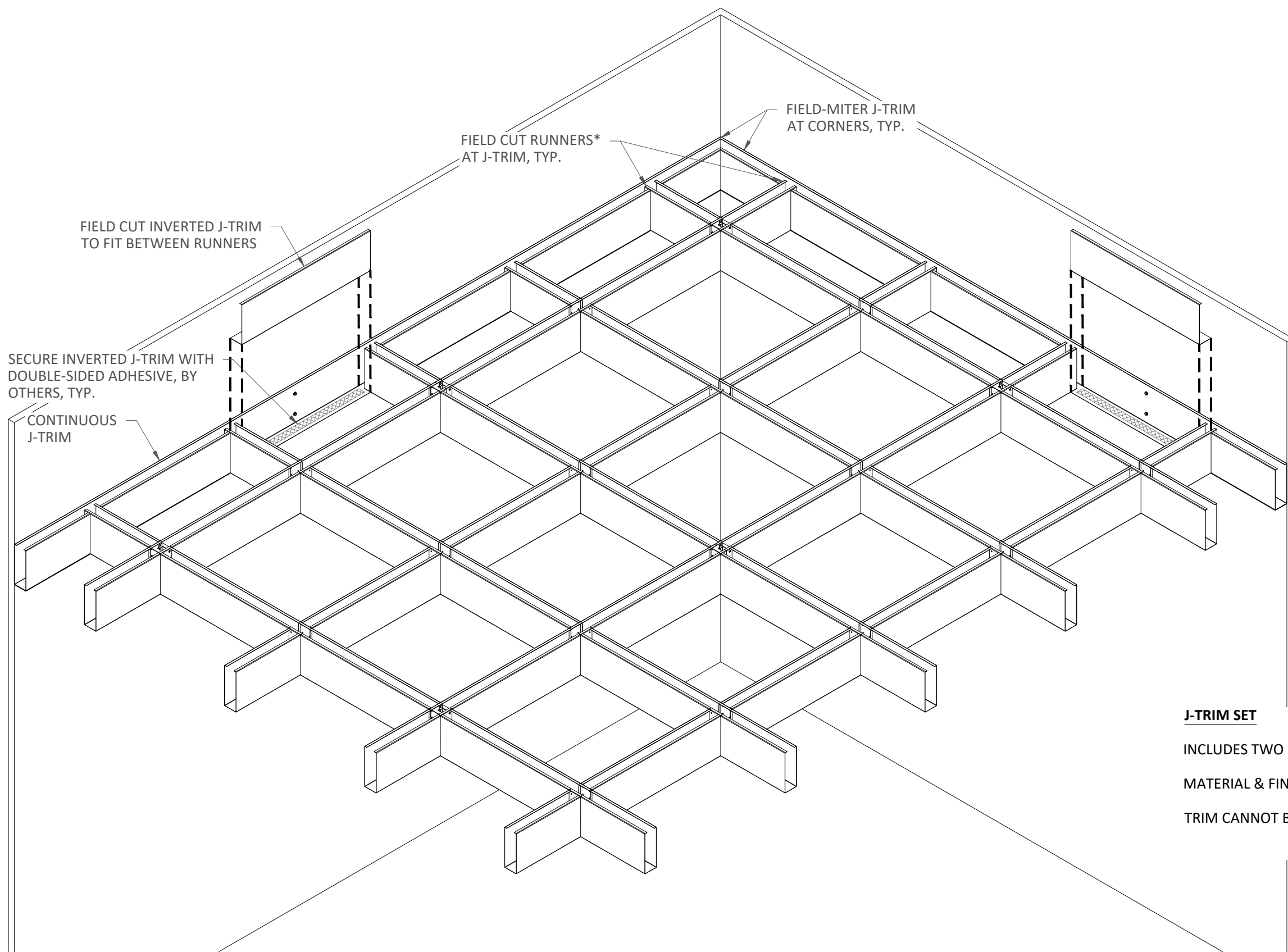
SPECIFICATIONS

(unless noted otherwise)
MATERIAL: .025" | .032" | .040" ALUMINUM
FINISH: PAINT | POWDER COAT | DECORATED WOOD FINISH
PERFORATION: NOT AVAILABLE

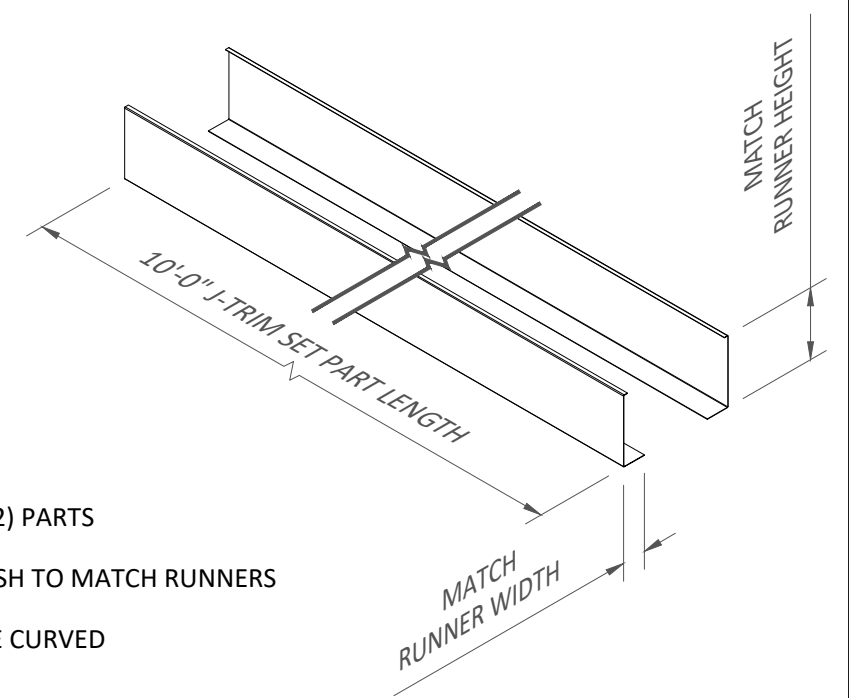
HANGER BRACKET & CORNER BRACKET INSTALLATION

PROJECT: TAVOLA FRAMES PRODUCT SPECIFICATIONS
DRAWING NUMBER: TAVOLA-FRAMES-A1.3
SCALE: AS SHOWN
DRAWN BY: CTA ENGINEERING
DATE: 6/1/21

These drawings show typical conditions for installing the CertainTeed product shown. They should not be construed as a substitute for an architectural or engineering design and do not reflect the unique requirements of local codes, laws, statutes or regulations that may be applicable for a specific installation. CertainTeed assumes no liability for the accuracy or completeness of the drawings for a specific installation or the fitness of the drawings for a particular purpose. The user is advised to consult with local licensed design professionals in order to assure compliance with all legal requirements. CertainTeed is not licensed to provide professional engineering or architectural services.



TYPICAL SECTION
SCALE: 3" = 1'-0"



J-TRIM SET

- INCLUDES TWO (2) PARTS
- MATERIAL & FINISH TO MATCH RUNNERS
- TRIM CANNOT BE CURVED

*2" X 6" TAVOLA FRAMES 24" O.C. SHOWN, ALL SIZES SIMILAR
**HANGER WIRE OMITTED FOR CLARITY

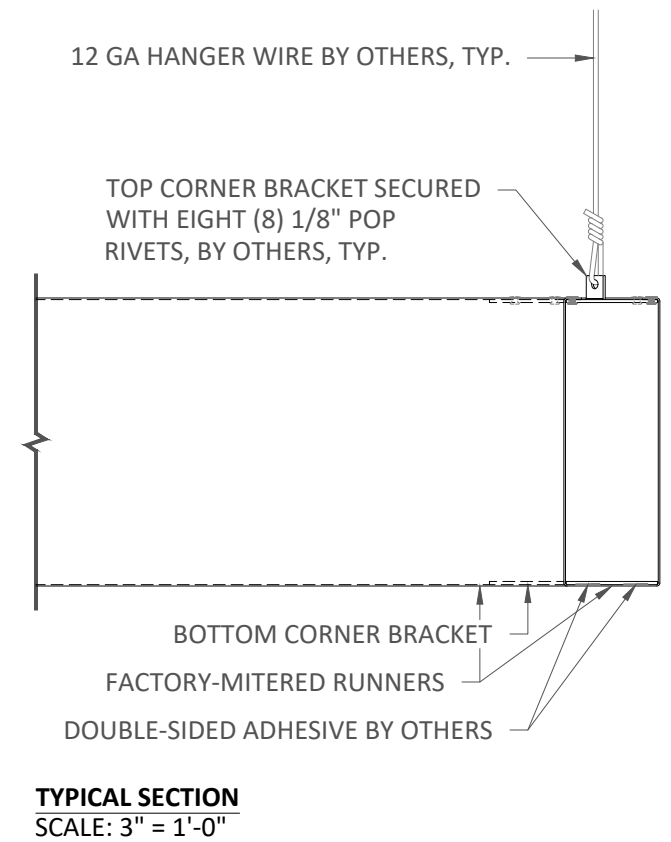
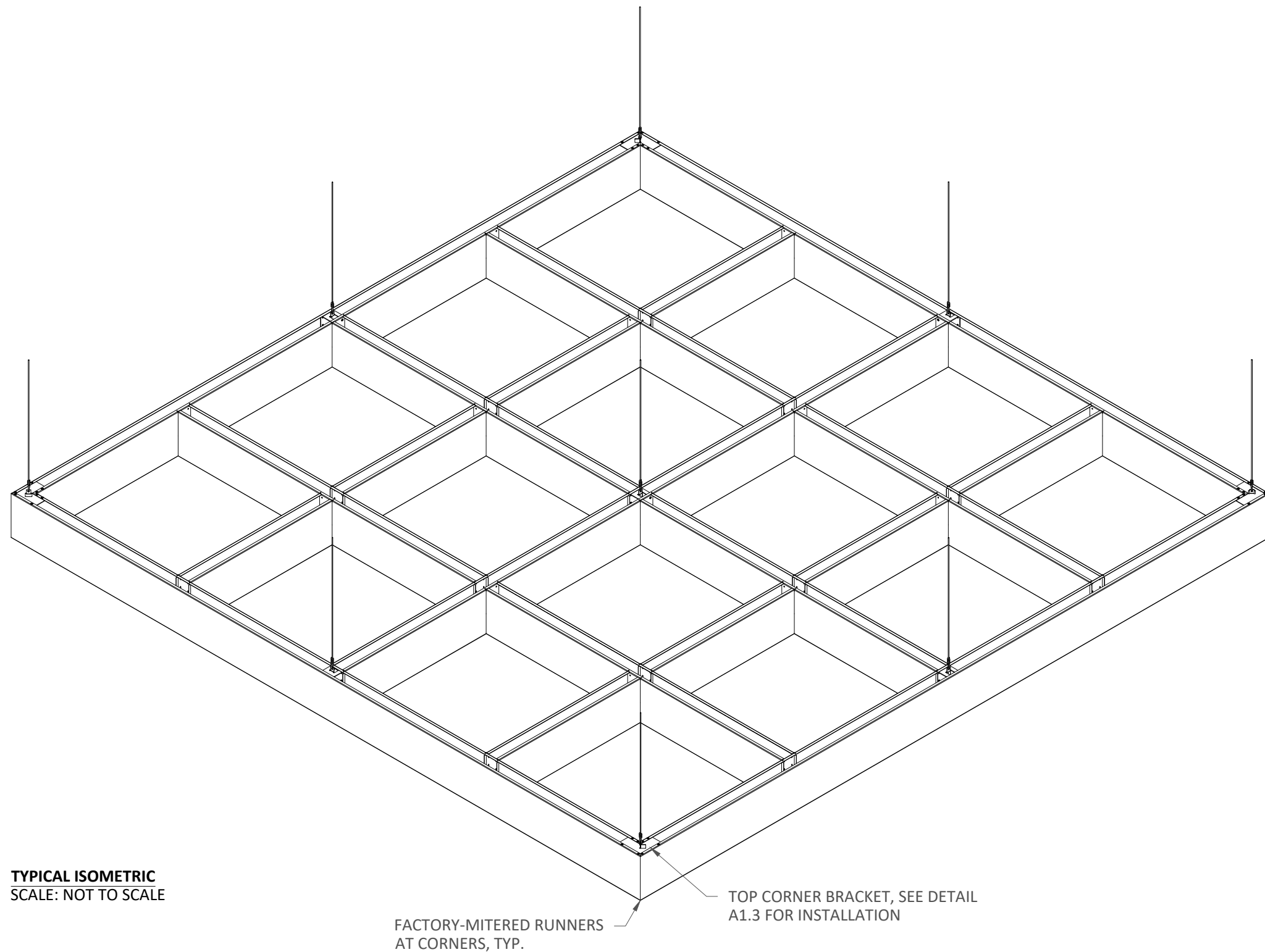


5015 Oakbrook Parkway, Suite 100
Norcross, GA 30093
O 800 366 4327
F 770 806 0214
www.certainteed.com/architectural

SPECIFICATIONS
(unless noted otherwise)
MATERIAL: .025" | .032" | .040" ALUMINUM
FINISH: PAINT | POWDER COAT | DECORATED WOOD FINISH
PERFORATION: NOT AVAILABLE

WALL TRIM SPECIFICATIONS
PROJECT: TAVOLA FRAMES PRODUCT SPECIFICATIONS
DRAWING NUMBER: TAVOLA-FRAMES-A1.4
SCALE: AS SHOWN
DRAWN BY: CTA ENGINEERING
DATE: 6/1/21

These drawings show typical conditions for installing the CertainTeed product shown. They should not be construed as a substitute for an architectural or engineering design and do not reflect the unique requirements of local codes, laws, statutes or regulations that may be applicable for a specific installation. CertainTeed assumes no liability for the accuracy or completeness of the drawings for a specific installation or the fitness of the drawings for a particular purpose. The user is advised to consult with local licensed design professionals in order to assure compliance with all legal requirements. CertainTeed is not licensed to provide professional engineering or architectural services.



*2" X 6" TAVOLA FRAMES 24" O.C. SHOWN, ALL SIZES SIMILAR

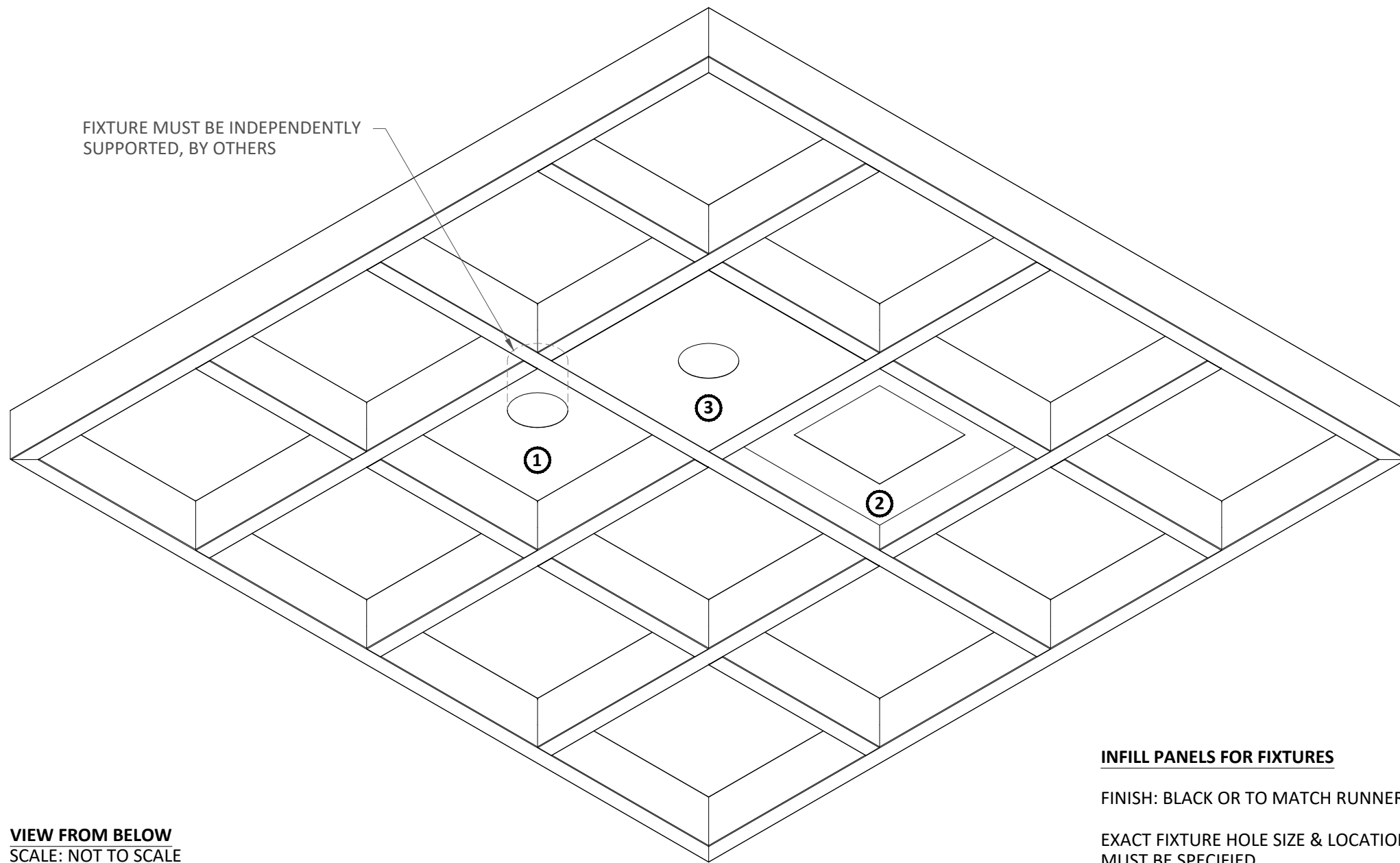


5015 Oakbrook Parkway, Suite 100
Norcross, GA 30093
O 800 366 4327
F 770 806 0214
www.certainteed.com/architectural

SPECIFICATIONS
(unless noted otherwise)
MATERIAL: .025" | .032" | .040" ALUMINUM
FINISH: PAINT | POWDER COAT | DECORATED WOOD FINISH
PERFORATION: NOT AVAILABLE

FLOATING CONDITIONS
PROJECT: TAVOLA FRAMES PRODUCT SPECIFICATIONS
DRAWING NUMBER: TAVOLA-FRAMES-A1.5
SCALE: AS SHOWN
DRAWN BY: CTA ENGINEERING
DATE: 6/1/21

These drawings show typical conditions for installing the CertainTeed product shown. They should not be construed as a substitute for an architectural or engineering design and do not reflect the unique requirements of local codes, laws, statutes or regulations that may be applicable for a specific installation. CertainTeed assumes no liability for the accuracy or completeness of the drawings for a specific installation or the fitness of the drawings for a particular purpose. The user is advised to consult with local licensed design professionals in order to assure compliance with all legal requirements. CertainTeed is not licensed to provide professional engineering or architectural services.



VIEW FROM BELOW
SCALE: NOT TO SCALE



① RECESSED INFILL PANEL



② RAISED INFILL PANEL

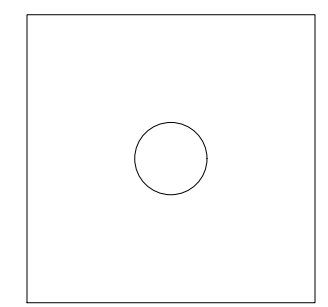
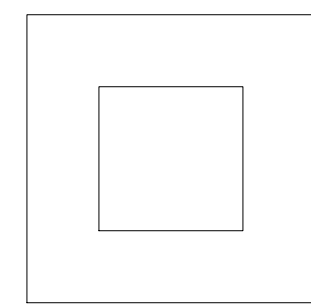


③ FLUSH INFILL PANEL

TYPICAL SECTIONS
SCALE: NOT TO SCALE

INFILL PANELS FOR FIXTURES

FINISH: BLACK OR TO MATCH RUNNERS
EXACT FIXTURE HOLE SIZE & LOCATION
MUST BE SPECIFIED



FIXTURE HOLE TYPES
SCALE: NOT TO SCALE

*2" X 6" TAVOLA FRAMES 24" O.C. SHOWN, ALL SIZES SIMILAR
**SUSPENSION OMITTED FOR CLARITY

ARCHITECTURAL **CertainTeed**
SAINT-GOBAIN

5015 Oakbrook Parkway, Suite 100
Norcross, GA 30093
O 800 366 4327
F 770 806 0214
www.certainteed.com/architectural

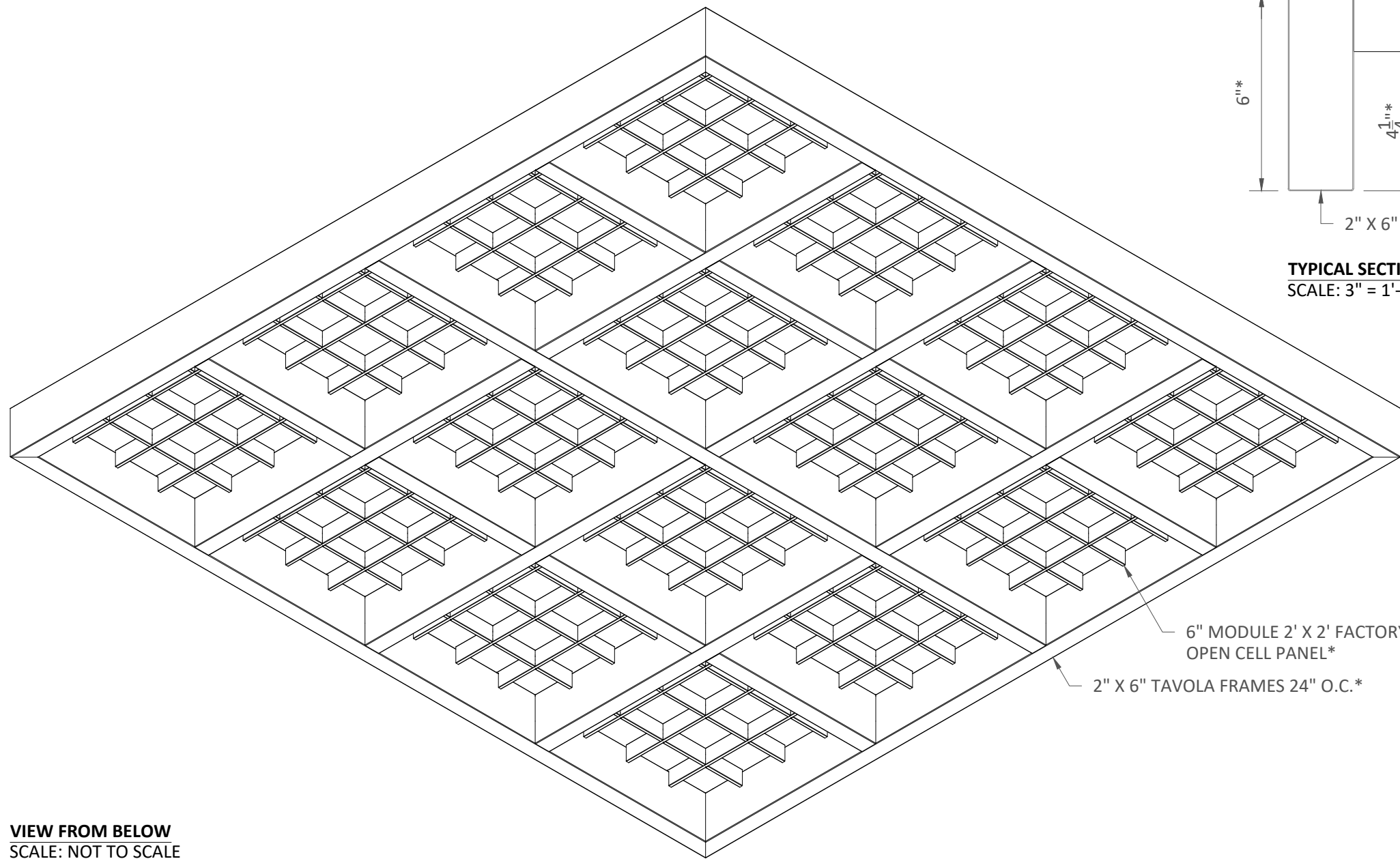
These drawings show typical conditions for installing the CertainTeed product shown. They should not be construed as a substitute for an architectural or engineering design and do not reflect the unique requirements of local codes, laws, statutes or regulations that may be applicable for a specific installation. CertainTeed assumes no liability for the accuracy or completeness of the drawings for a specific installation or the fitness of the drawings for a particular purpose. The user is advised to consult with local licensed design professionals in order to assure compliance with all legal requirements. CertainTeed is not licensed to provide professional engineering or architectural services.

SPECIFICATIONS
(unless noted otherwise)

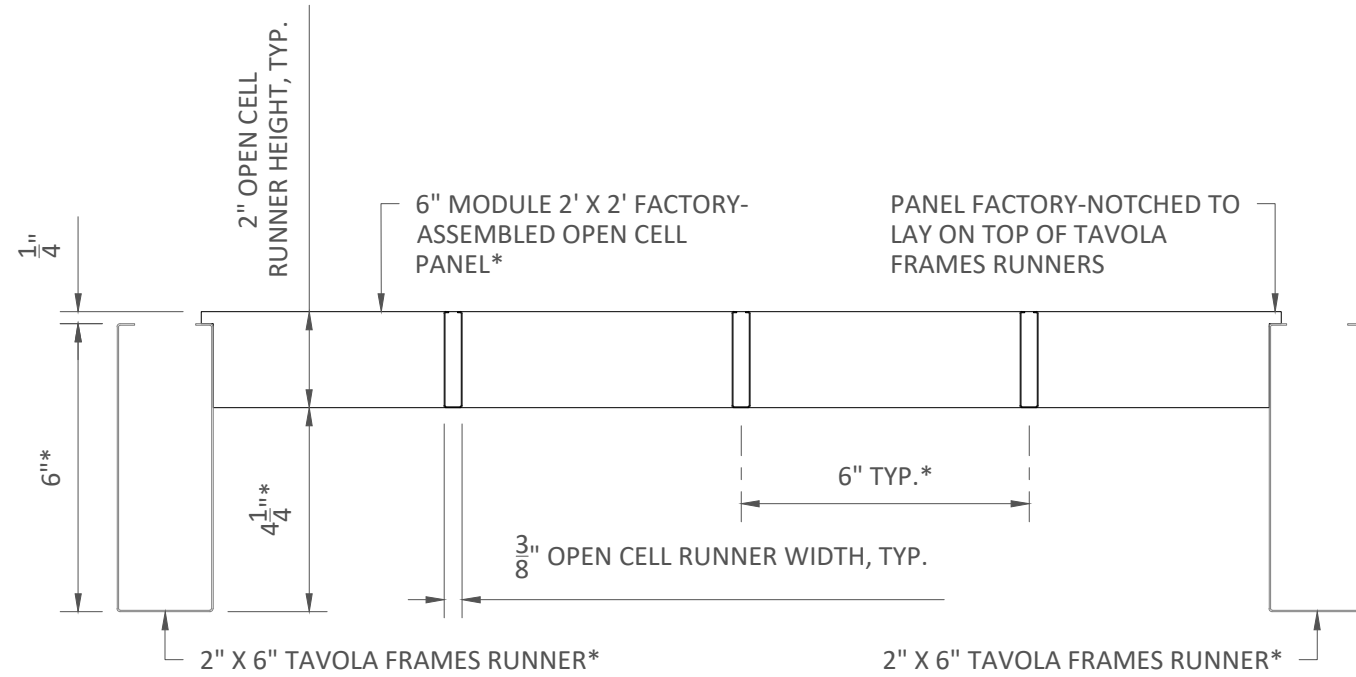
MATERIAL: .025" | .032" | .040" ALUMINUM
FINISH: PAINT | POWDER COAT | DECORATED WOOD FINISH
PERFORATION: NOT AVAILABLE

INFILL PANELS FOR FIXTURES

PROJECT: TAVOLA FRAMES PRODUCT SPECIFICATIONS
DRAWING NUMBER: TAVOLA-FRAMES-A1.6
SCALE: AS SHOWN
DRAWN BY: CTA ENGINEERING
DATE: 6/1/21



VIEW FROM BELOW
SCALE: NOT TO SCALE



TYPICAL SECTION
SCALE: 3" = 1'-0"

OPEN CELL PANELS

- FACTORY-NOTCHED TO LAY ON TOP OF TAVOLA FRAMES RUNNERS
- FINISH: BLACK OR PAINTED
- MODULE MUST BE SPECIFIED

6" MODULE 2' X 2' FACTORY-ASSEMBLED OPEN CELL PANEL*
2" X 6" TAVOLA FRAMES 24" O.C.*

*2" X 6" TAVOLA FRAMES 24" O.C. WITH 6" MODULE 2' X 2' OPEN CELL PANELS SHOWN, ALL SIZES SIMILAR
**SUSPENSION OMITTED FOR CLARITY



5015 Oakbrook Parkway, Suite 100
Norcross, GA 30093
O 800 366 4327
F 770 806 0214
www.certainteed.com/architectural

SPECIFICATIONS
(unless noted otherwise)
MATERIAL: .025" | .032" | .040" ALUMINUM
FINISH: PAINT | POWDER COAT | DECORATED WOOD FINISH
PERFORATION: NOT AVAILABLE

OPEN CELL INFILL PANELS
PROJECT: TAVOLA FRAMES PRODUCT SPECIFICATIONS
DRAWING NUMBER: TAVOLA-FRAMES-A1.7
SCALE: AS SHOWN
DRAWN BY: CTA ENGINEERING
DATE: 6/1/21

These drawings show typical conditions for installing the CertainTeed product shown. They should not be construed as a substitute for an architectural or engineering design and do not reflect the unique requirements of local codes, laws, statutes or regulations that may be applicable for a specific installation. CertainTeed assumes no liability for the accuracy or completeness of the drawings for a specific installation or the fitness of the drawings for a particular purpose. The user is advised to consult with local licensed design professionals in order to assure compliance with all legal requirements. CertainTeed is not licensed to provide professional engineering or architectural services.