

CERTAINTEED
SUSPENSION
SYSTEMS

Faster, easier
installation
for ceiling
applications



Faster, easier-to-install suspension systems



On the job site, saving time means saving money. That's why our innovations are designed to make the contractor's job faster and easier. CertainTeed acoustical and drywall suspension systems reflect our commitment to provide all the essentials contractors need for commercial projects.



New & Improved Post-Paint Process!

- | Match any CertainTeed color
- | Match any Sherwin-Williams® color with paint code provided
- | Match any color for which a color sample is provided

Sherwin Williams® is a registered trademark of its respective holders. Use of the mark does not imply any affiliation with or endorsement by the registered holder.





POWERED BY EXPERT KNOWLEDGE, IN-THE-FIELD EXPERIENCE, AND INSTALLER FEEDBACK

Our innovations provide strong, stable, time-saving systems that consistently put money back in contractors' pockets. Our superior suspension systems are the result of key values and initiatives:

New and improved products characterized by strength, efficiency, and speed of installation

Real-world input from contractors and installers to yield real-world advantages

Hands-on training and technical support by staff with decades of installation experience

CERTAINTEED BENEFITS GO BEYOND PRODUCT TO INCLUDE SERVICE AND SUPPORT, PLUS THE TOOLS INSTALLERS NEED TO GET THE JOB DONE RIGHT THE FIRST TIME.

Post-Painting Works for the Following CertainTeed Suspension Systems:



- | EZ Stab Systems
- | Smoothline System
- | 1-1/2" Drywall System
- | Terminus Trim



Product Comparison Tool

[CertainTeed.com/CompareCeilingProducts](https://www.certainteed.com/CompareCeilingProducts)



Technical Support

800-233-8990



Installation Videos

[CertainTeed.com/suspension-systems](https://www.certainteed.com/suspension-systems)

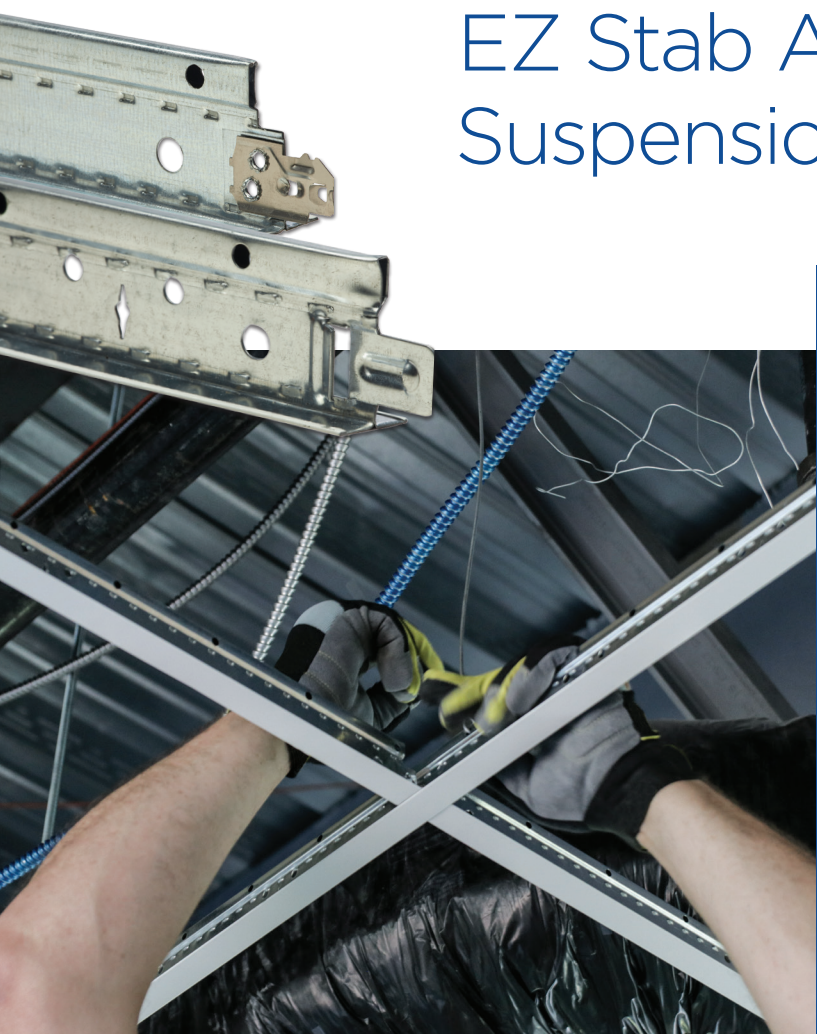


Distributor Locator Tool

[CertainTeed.com/where-to-buy](https://www.certainteed.com/where-to-buy)

ENGINEERED FOR SPEED AND EASE

EZ Stab Acoustical Suspension Systems



Save more time and money with these new features

Installers: we've redesigned our family of acoustical suspension systems to create complete grid solutions.



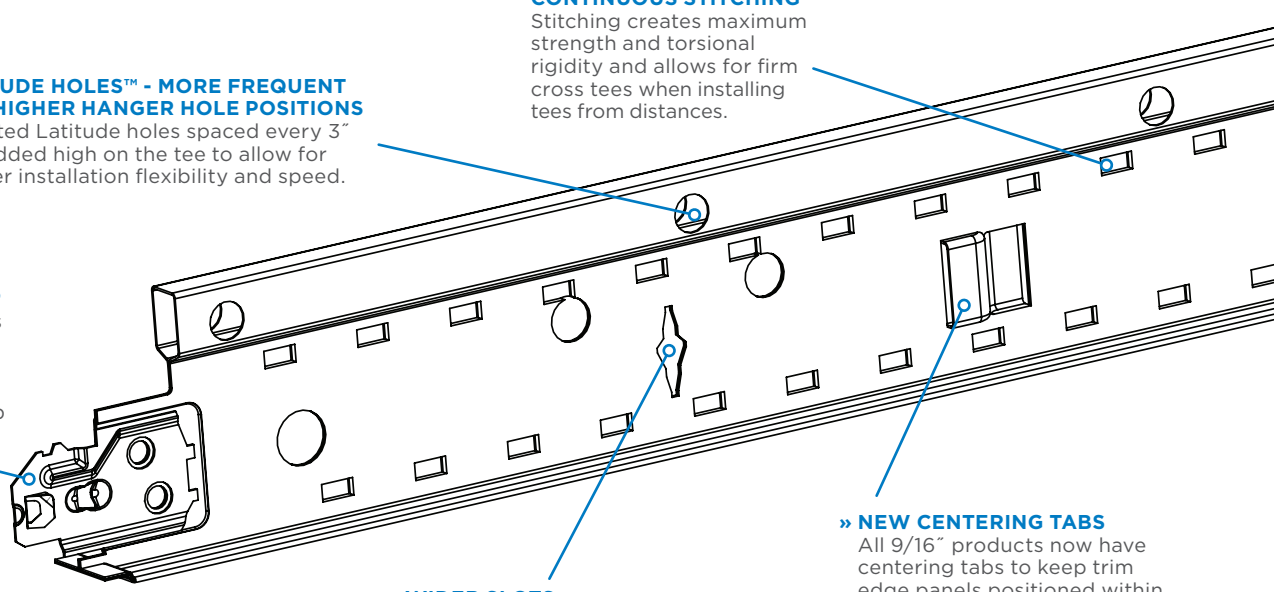
» **LATITUDE HOLES™ - MORE FREQUENT AND HIGHER HANGER HOLE POSITIONS**
Patented Latitude holes spaced every 3" and added high on the tee to allow for greater installation flexibility and speed.

» **REDESIGNED EZ CLIP**
Redesigned clip allows for low insertion force and easy removability after installation without destroying clip or slot.

» **TWO ROWS OF CONTINUOUS STITCHING**
Stitching creates maximum strength and torsional rigidity and allows for firm cross tees when installing tees from distances.

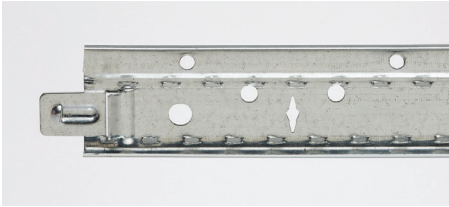
» **WIDER SLOTS**
Larger openings allow easier location of slots when installing from distances.

» **NEW CENTERING TABS**
All 9/16" products now have centering tabs to keep trim edge panels positioned within the opening so there are no gaps around the edges.



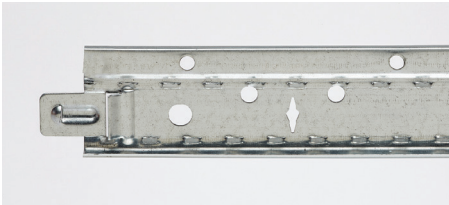
The redesigned EZ Stab family

All CertainTeed acoustical suspension systems feature high recycled content, a double web design for lasting durability and strength, G30 hot-dipped galvanized steel web construction for corrosion resistance, ICC certification (ESR-3336), and are City of Los Angeles Building Code compliant via ESR-3336 LABC Supplement.



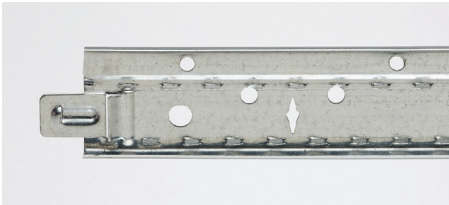
9/16" EZ STAB ELITE NARROW SYSTEM

The slim face width complements modern design and offers flexibility and added strength.



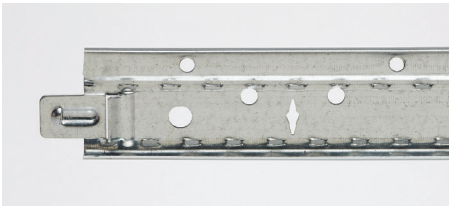
15/16" EZ STAB CLASSIC SYSTEM

The EZ Stab Classic System features the 15/16" face width that is widely used in interior designs today. Strong, staked-on end tabs are incorporated into the cross tee design to provide quick and easy installation with optimal tightness among installed components.



15/16" EZ STAB CLASSIC ALUMINUM CAPPED SYSTEM

The EZ Stab Classic Aluminum Capped System is for areas where moisture is a concern, such as commercial kitchens, laboratories, and sanitary spaces.



15/16" EZ STAB CLASSIC ENVIRONMENTAL SYSTEM

The EZ Stab Classic Environmental System is ideal for areas where high humidity or extreme environments exist, such as parking garages and commercial kitchens.



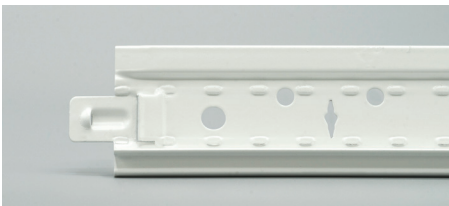
15/16" EZ STAB CLEANROOM SYSTEM

Designed for controlled environment rooms and provides a clean, particulate free, sealed ceiling system.



9/16" EZ STAB BOLT SLOT SYSTEM - 1/8" REVEAL

The EZ Stab Bolt Slot System provides increased strength and stability for easier ceiling grid installation.



9/16" EZ STAB TIER DROP SYSTEM

Features a 3/16" wide center bulb to create a double 1/8" wide reveal.

INNOVATION IN ACTION

Drywall Suspension Systems



Our innovation isn't limited to acoustical systems. Install drywall ceilings with the same speed and ease using our heavy duty 1-1/2" system for full room installations and the revolutionary QuickSpan Locking Drywall Grid System for corridors.



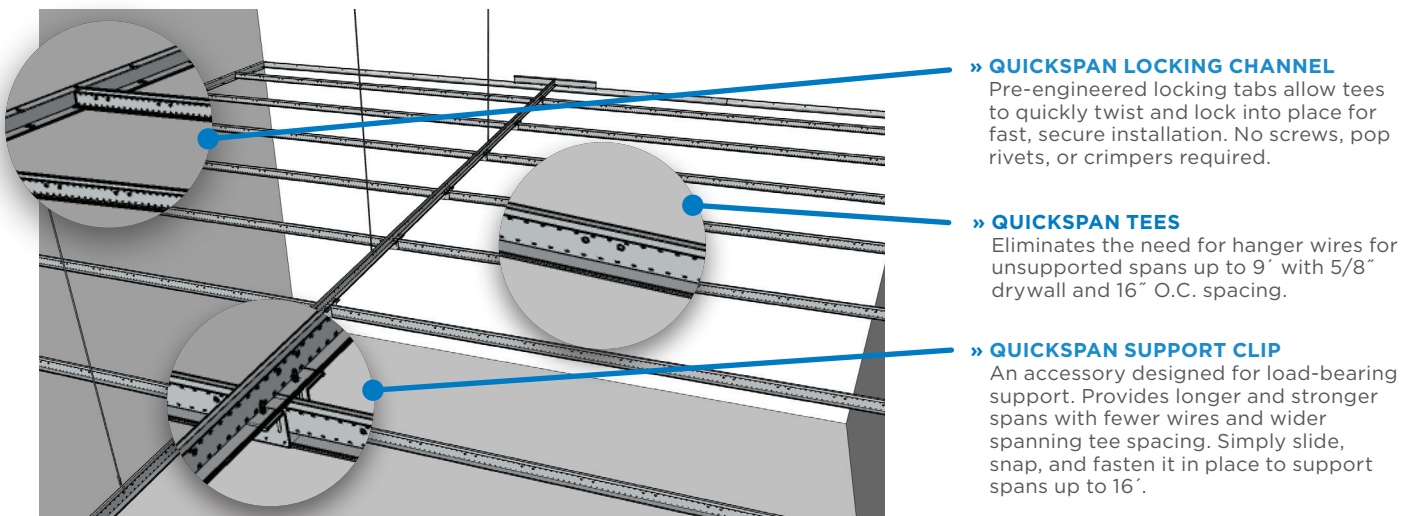
1-1/2" Drywall System — the time-saving alternative to traditional drywall framing

- | Heavy duty double web
- | T-Bar suspension system
- | Knurled and uncapped face prevents screw spin-off
- | The 1.6" profile height offers increased load capacity
- | Install with speed and ease - and lower labor costs

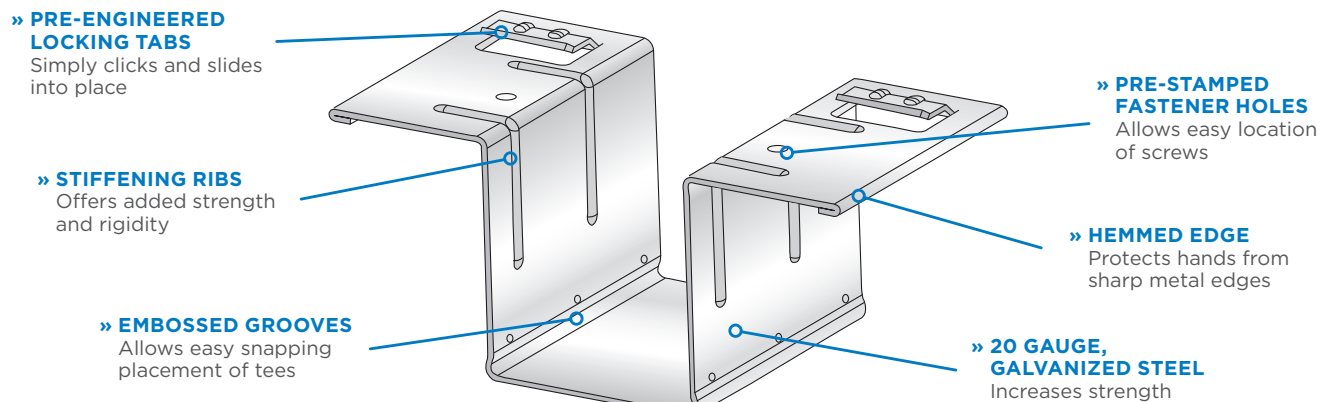


QuickSpan Locking Drywall Grid System — the fastest way to install drywall grid in corridors

The QuickSpan™ Locking Drywall Grid System, featuring the QuickSpan Support Clip, offers quicker, easier installation and the longest unsupported spans for drywall ceilings in hallway and corridor applications. In hands-on trials, installers agree - the click-in design of QuickSpan delivers faster installation.



QUICKSPAN SUPPORT CLIP



All the accessories you need to complete the installation.
Learn more at [CertainTeed.com/suspension-systems](https://www.CertainTeed.com/suspension-systems)



Photo: ©Mel Evans

Terminus Trim

Create a clean finish with easy-to-install perimeter trim for clouds, islands, and other suspended ceiling elements with exposed edges.



Wall Angle

Our completely integrated wall angle makes it easy to finish wall-to-wall installations where ceilings meet walls.



Seismic Accessories

Transition joint clip, perimeter clip, and masking sleeves all easily integrate with multiple CertainTeed suspension system profiles, simplifying installation.



SmartFit Yoke

Save time by preventing the need for extra cuts. This accessory allows you to assemble the entire suspension system prior to installing linear lighting fixtures and other challenging ceiling components.