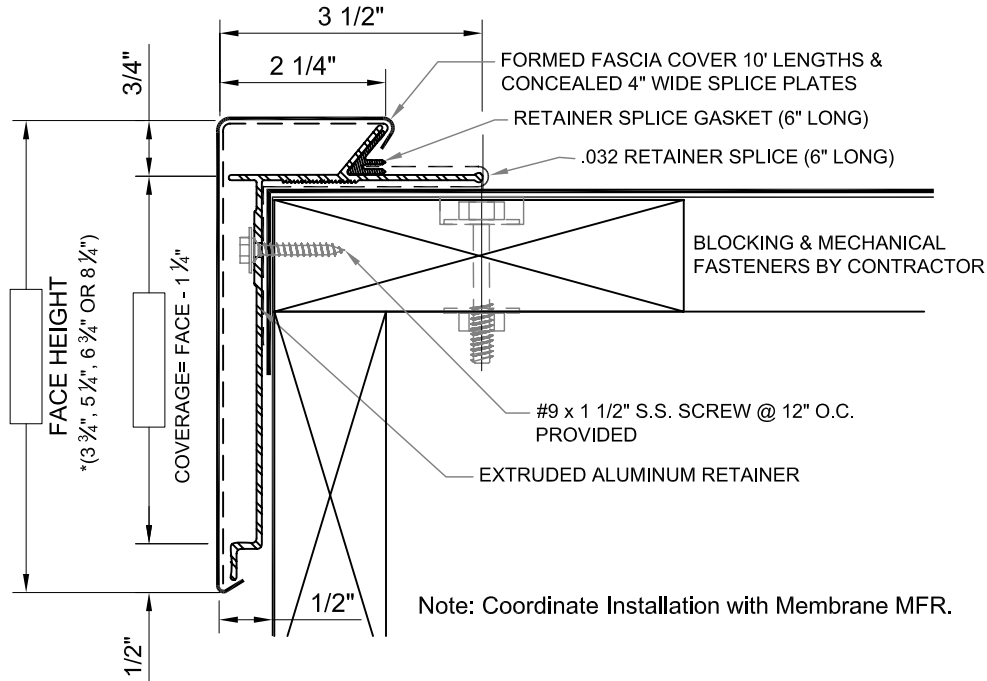


FlintEdge Fascia ET Order /Specification Form

(For Built-Up or Modified Roofs)

ANSI/SPRI ES-1 TESTED*

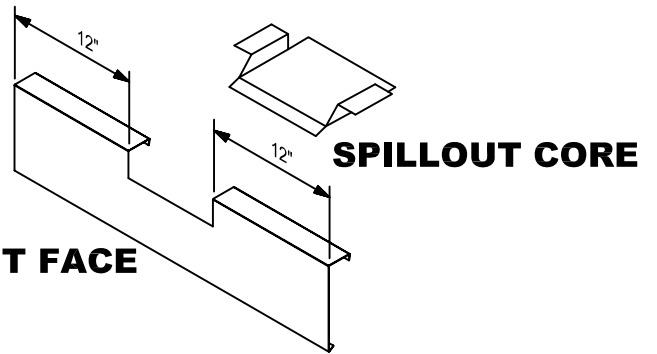
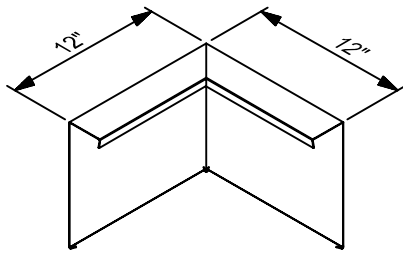
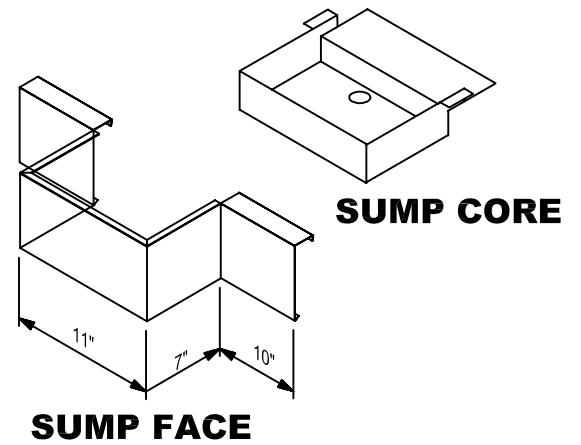
* Please contact manufacturer for verification of test report data on your specific project



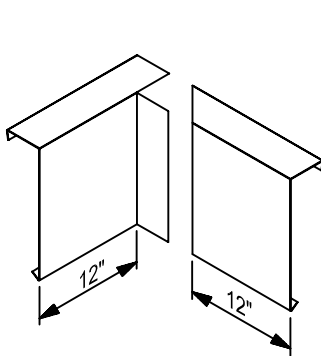
DETAIL:	ARCHITECTURAL REF:	DESCRIPTION:		
QUANTITY, THIS DETAIL _____ TOTAL LF _____ OUTSIDE CORNERS _____ INSIDE CORNERS _____ SPECIAL CORNERS (attach sketches) _____ END CAP - L _____ END CAP - R _____ SPILLOUT _____ SUMP _____ RADIUS LF _____ RADIUS CORNERS (attach sketches)	MATERIAL <input type="checkbox"/> ALUMINUM <input type="checkbox"/> GALVANIZED <input type="checkbox"/> STAINLESS STEEL <input type="checkbox"/> _____ THICKNESS <input type="checkbox"/> .032 <input type="checkbox"/> .040 <input type="checkbox"/> .050 <input type="checkbox"/> .063 <input type="checkbox"/> 24 GA <input type="checkbox"/> _____	ACCESSORY TYPE <input type="checkbox"/> FOLDED WELDED CORNERS ARE NOT AVAILABLE FOR TERMINEDGE * MODEL <input type="checkbox"/> TEX-375 <input type="checkbox"/> TEX-525 <input type="checkbox"/> TEX-675 <input type="checkbox"/> TEX-825	FINISH <input type="checkbox"/> MILL FINISH <input type="checkbox"/> PREFINISHED KYNAR <input type="checkbox"/> POST FINISHED KYNAR <input type="checkbox"/> PREFINISHED ANODIZE <input type="checkbox"/> POST FINISHED ANODIZE <input type="checkbox"/> _____ .063 PREFINISHED KYNAR IS ONLY AVAILABLE IN 7 STD. COLORS.	
	COLOR _____			
Transmittal <input type="checkbox"/> REQUEST FOR QUOTATION <input type="checkbox"/> SUBMIT FOR APPROVAL <input type="checkbox"/> REQUEST FOR INFORMATION <input type="checkbox"/> CONFIRMING TELECONFERENCE <input type="checkbox"/> FOR YOUR FILES By _____ Date _____		Customer Approval <input type="checkbox"/> APPROVED FOR FABRICATION <input type="checkbox"/> APPROVED AS NOTED <input type="checkbox"/> AMEND & RESUBMIT _____ Authorized Customer Signature _____ Title _____ Date _____		
Job Name		Job #		
Location		Sheet of		
Customer		By		
Representative		Date		
Architect				

FlintEdge Fascia ET

Fascia Model	Fascia Face Height in.	Coverage in.	Number Of Nailers Covered
FEX-375	3 3/4	2 1/2	1
FEX-525	5 1/4	4	2
FEX-675	6 3/4	5 1/2	3
FEX-825	8 1/4	7	4



STANDARD OUTSIDE CORNER



STANDARD INSIDE CORNER

STANDARD FASCIA CORNERS ARE 90° - 12" X 12".
STANDARD END CAPS ARE 12" LONG.

FOR SPECIAL CORNER REQUIREMENTS,
ATTACH SKETCHES OR CONSULT MFR. FOR
ASSISTANCE.

MINIMUM AND MAXIMUM SIZES LISTED ARE
INDICATED. INTERMEDIATE MAY BE SPECIFIED
WITHIN THESE RANGES. CONSULT MFR. FOR
NON-STANDARD SIZE REQUIREMENTS.

