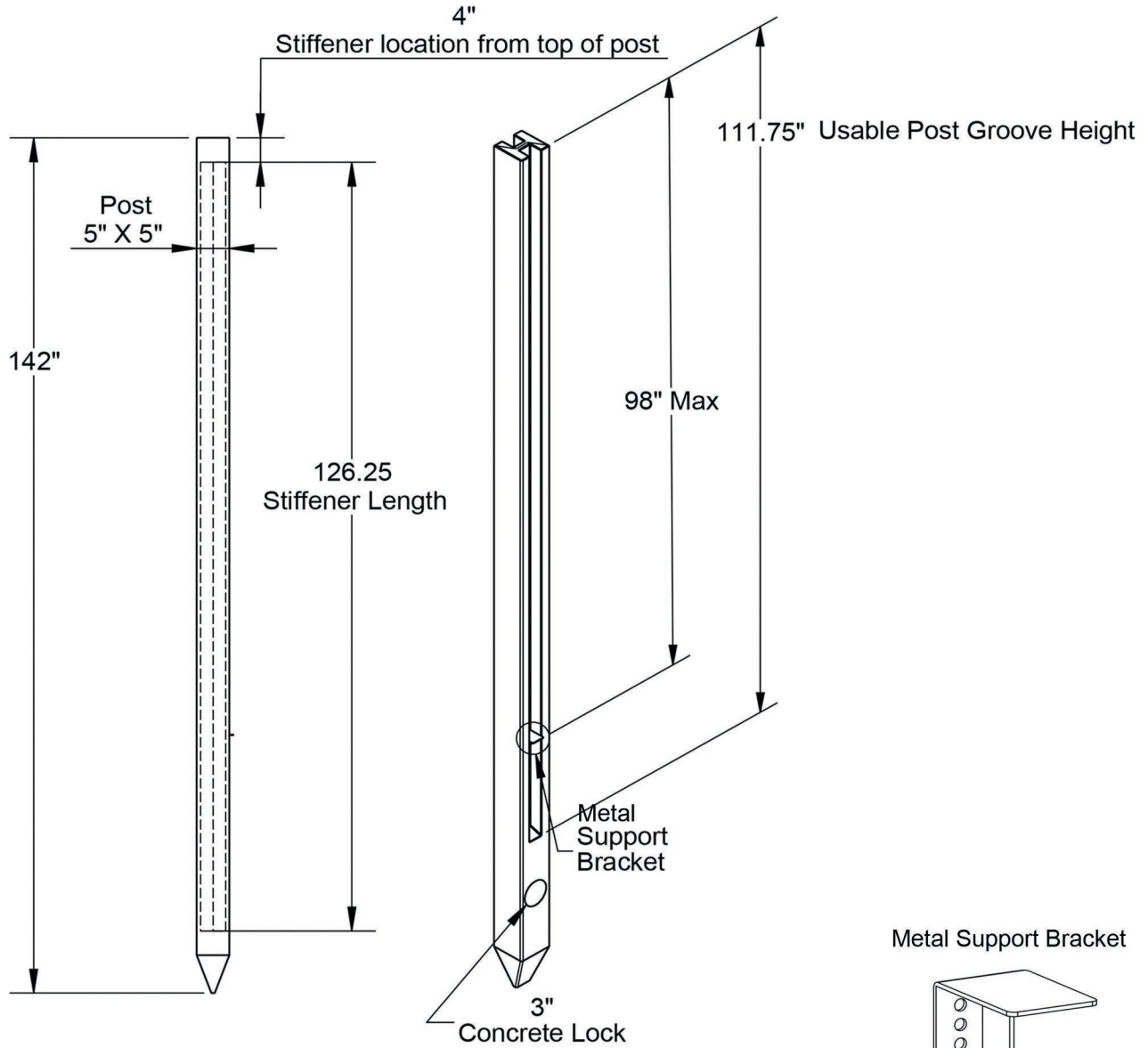
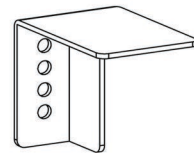


12' Line Post Specification



Metal Support Bracket



Made with 13 gauge galvanized plate steel

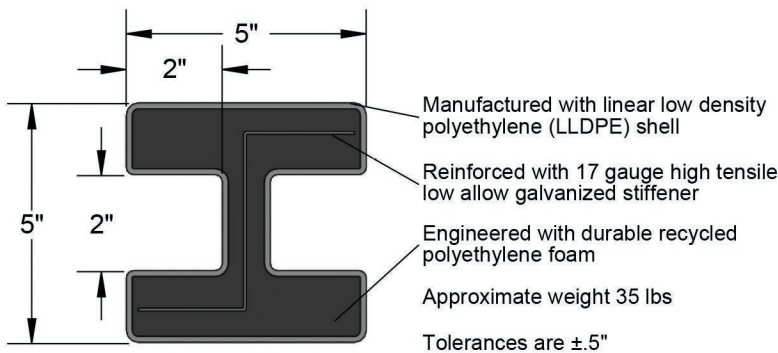
Adjustable for customized height

Includes 1 1/4" self-tapping screw

1 1/4" Self-tapping Screw



Line Post Cutaway



Model #: LP142

This drawing may not be altered or reproduced without the permission of SimTek® Fence

Date: Oct 15, 2013

Scale: not to scale

REV: D Barlocker

Sheet 1 of 1

U.S. Patents: 7,478,797 / 7,635,114 Foreign Patents Pending