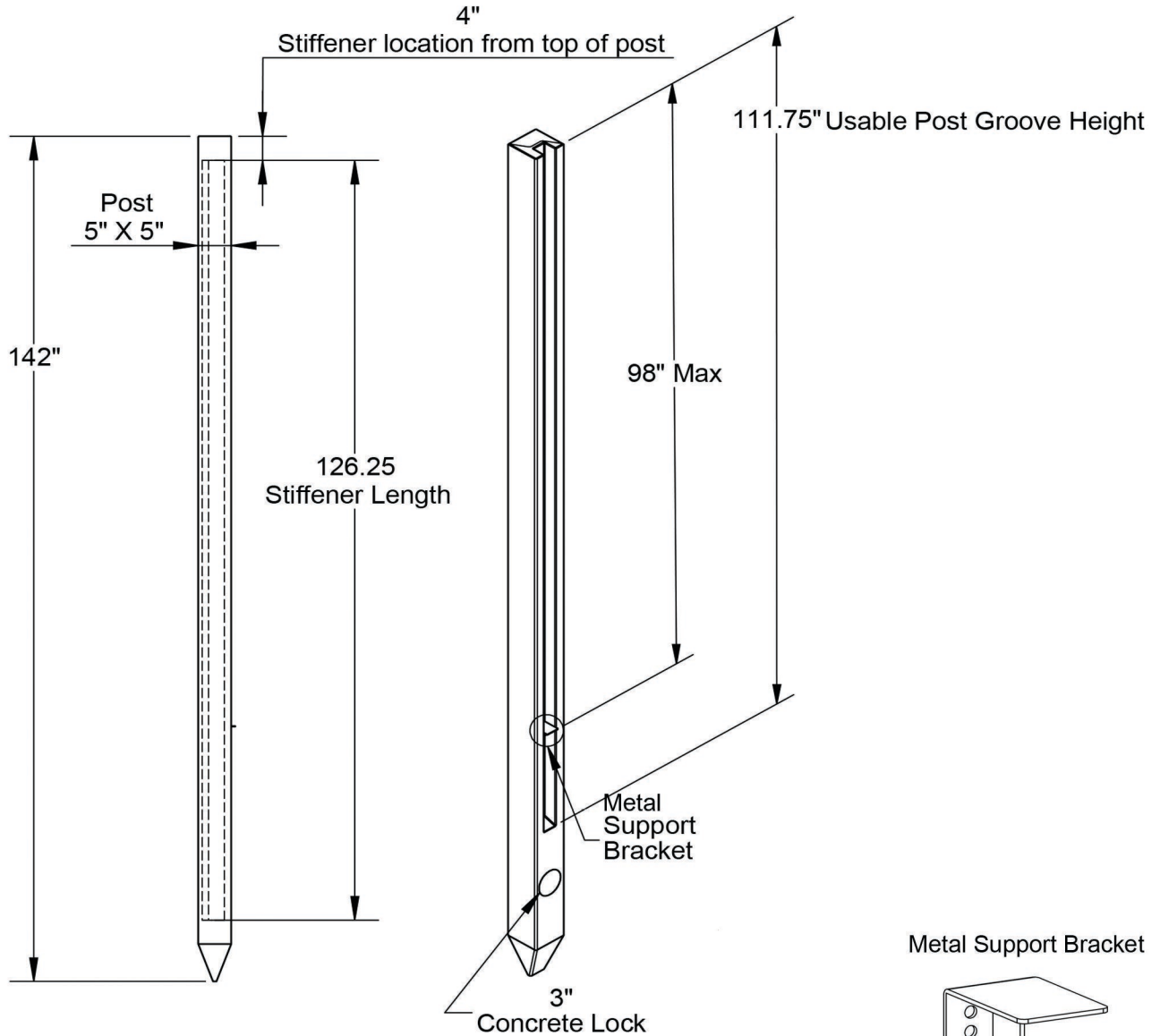
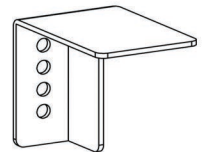


# 12' Gate Post Specification



Metal Support Bracket

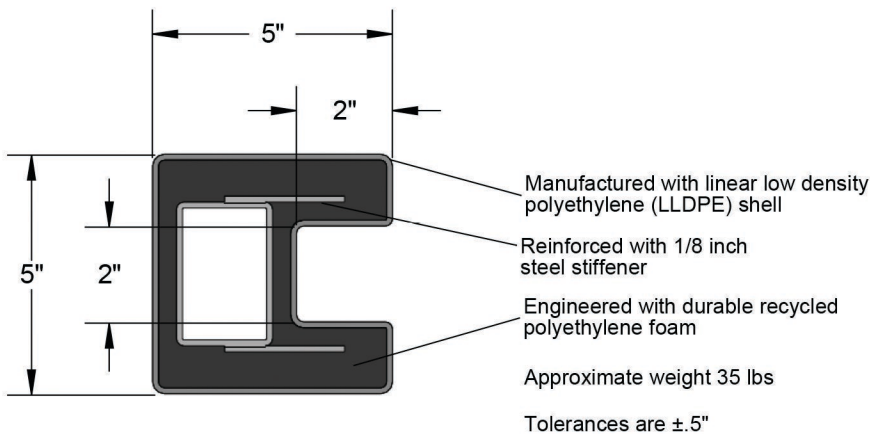


Made with 13 gauge galvanized plate steel

Adjustable for customized height

Includes 1 1/4" self-tapping screw

1 1/4" Self-tapping Screw



**Model #:GP142**

This drawing may not be altered or reproduced without the permission of SimTek<sup>™</sup> Fence

**Date: Oct 15, 2013**

Scale: not to scale

REV: D Barlocker

**Sheet 1 of 1**

U.S. Patents: 7,478,797 / 7,635,114 Foreign Patents Pending

