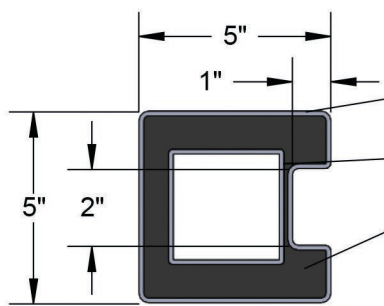
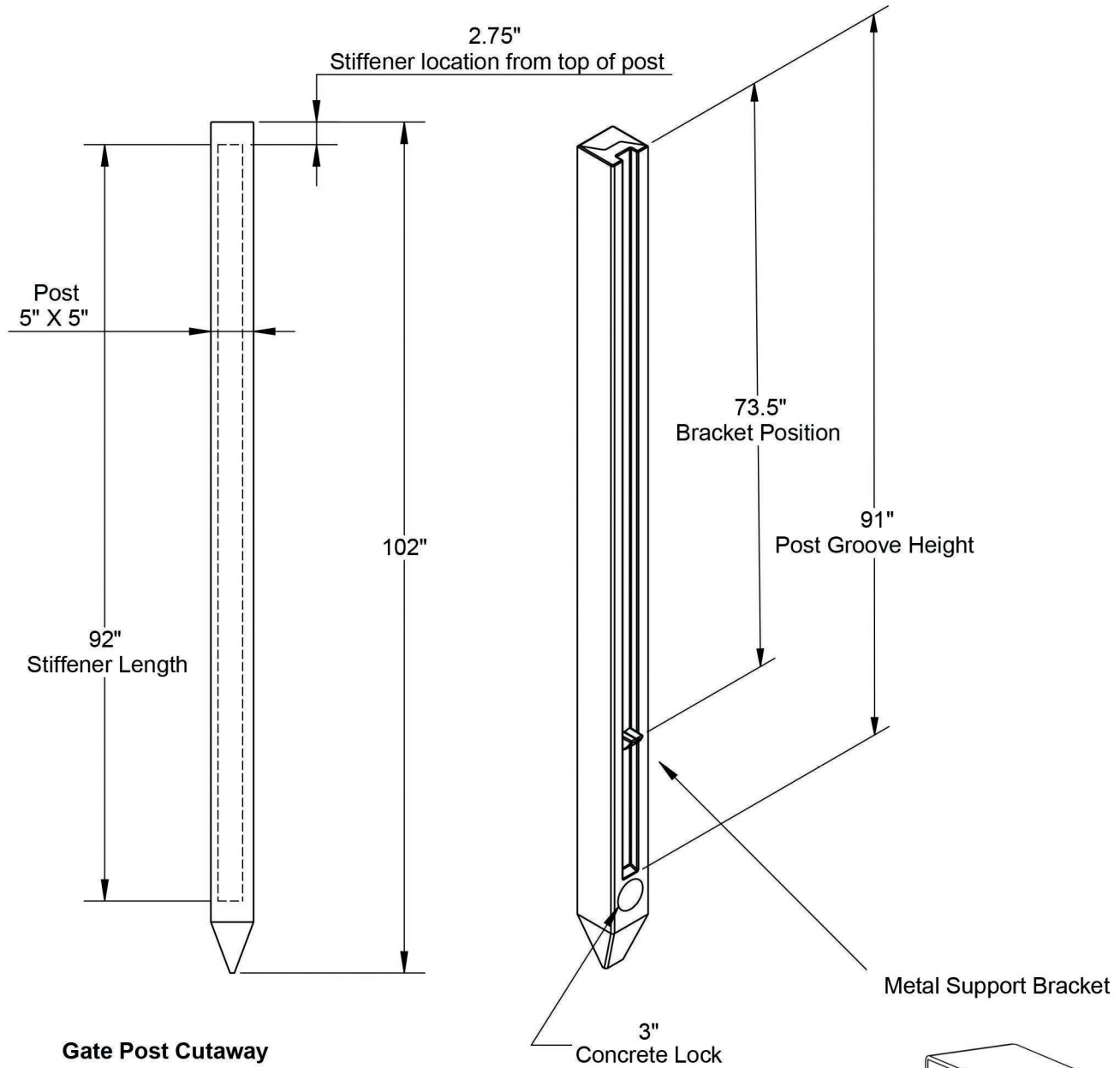


8.5' Gate Post Specification



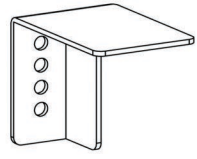
Manufactured with linear low density polyethylene (LLDPE) shell

Reinforced with 11 gauge steel stiffener

Engineered with durable recycled polyethylene foam

Approximate weight 55 lbs

Tolerances are ±.5"



- Made with 13 gauge galvanized plate steel
- Adjustable for customized height
- Includes 1 1/4" self-tapping screw

Model #:GP102	This drawing may not be altered or reproduced without the permission of SimTek [™] Fence		 www.simtekfence.com
Date: Oct 15, 2013	Scale: not to scale	REV: D Barlocker	
Sheet 1 of 1	U.S. Patents: 7,478,797 / 7,635,114 Foreign Patents Pending		