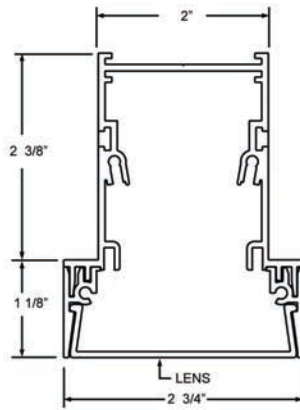
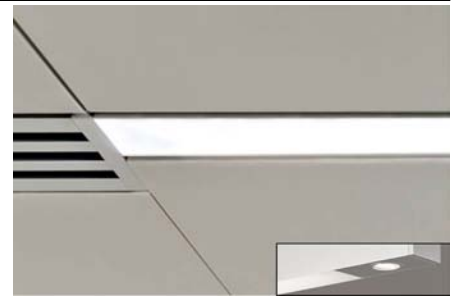




Click or scan QR code to view latest spec sheet



Fluorescent Lamping



Click photo to view product page
 Page 1: Overview & Nomenclature
 Pages 2-3: Specifications
 Page 4: Photometric Info / Downloads
 Page 5: Mounting Details

Revision Date: July 08, 2021
 Gammalux Lighting Systems reserves the right to change details of fixture designs and construction at any time.

Product Overview (for complete specifications, see pages 2 & 3)

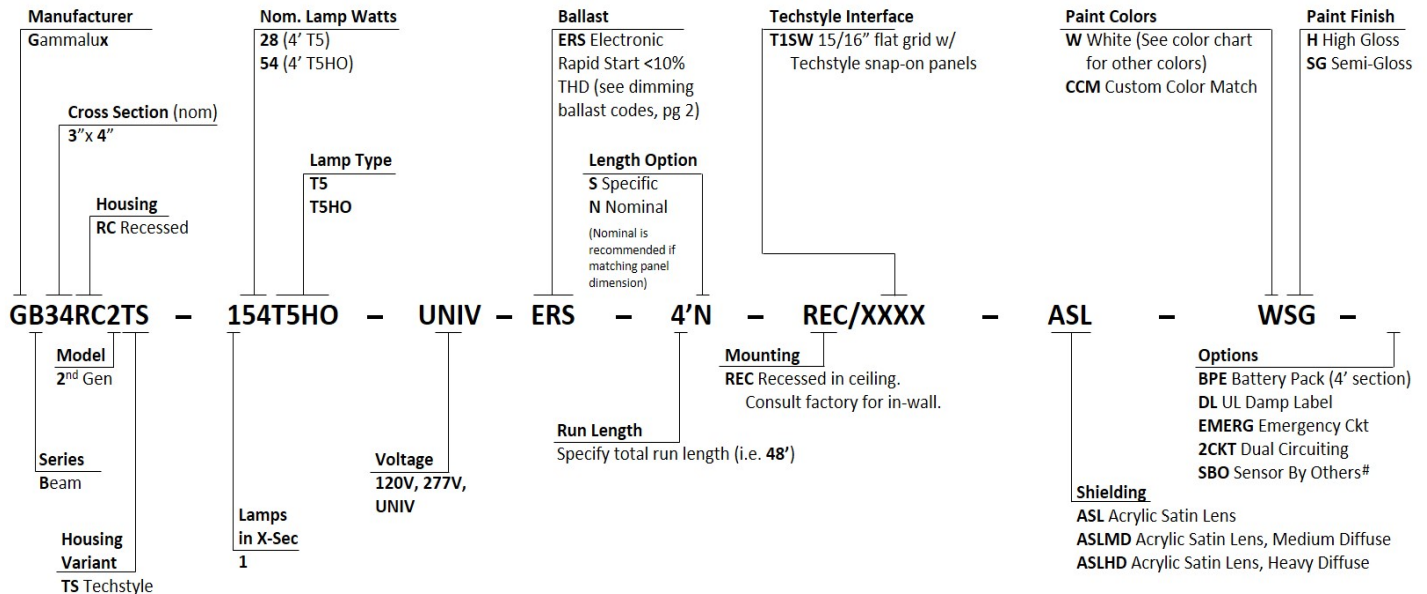
Integration: GAMMALUX GB34RC2TS is approved for use in CertainTeed Architectural Techstyle ceilings. GAMMALUX Premium fixtures are designed, engineered, & constructed for precise fit and finish for specific CertainTeed Architectural ceiling systems. GAMMALUX factory shop submittal drawings will be provided for each lighting fixture order. Construction maintains intended gap between fixture and adjacent panels.

Construction: I.C. rated. ARRA, RoHS, REACH and Prop 65 compliant. Runs can be built to match field conditions.

Illumination: Lenses available in standard (ASL), medium (ASLMD) and heavy (ASLHD) diffusion.

Electrical: Electrical components by major manufacturers. Fixtures can be fitted with integral sensors, control interface devices and other specialty components (consult factory).

Standard Nomenclature



* To better hide lamp image, medium or heavy diffuse lenses are recommended.



Specifications (continued on next page)

Electrical

Static Ballast*: Osram or equal Electronic Rapid Start with less than 10% Total Harmonic Distortion is default (**ERS**).

0-10V Dimming*: 0-10v dimming by Advance Mark 7 is default (**ZTV**).

Line Voltage Dimming*: Two-wire line voltage dimming by Advance Mark 10 is default (**TWR**).

DALI Dimming*: Dimming by generic DALI ballast (**DALI**).

Lutron Dimming: Dimming by Lutron EcoSystem, wired for EcoSystem control (**ECDE**). Dimming by Lutron EcoSystem, wired for 3-Wire control (**ECD3**). Dimming by Lutron EcoSystem H Series (**ECH**). Dimming by Lutron Hi-Lume 3D, wired for EcoSystem control (**H3DE**). Dimming by Lutron Hi-Lume 3D, wired for 3-Wire control (**H3D3**).

Step Dimming: Step Dimming availability is contingent upon multiple factors. Consult factory (**SDIM**).

On-board sensors, control interface devices may be specified (consult factory). Fixtures bear UL & cUL Dry Location label. Damp Location label available (**DL**).

*Subject to availability. May be substituted by Gammalux. Components and specifications may be changed without notice.

Construction

Housing: I.C. rated. ARRA, RoHS, REACH and Prop 65 compliant. Extruded aluminum body 2.75" wide x 3.50" high, 6063T5, 0.070" min thickness. Each housing is 12' max unless longer housings are pre-coordinated with the factory to reduce joints and installation labor. Fixtures are built per approved factory drawings and tested as a complete system at the factory. Continuous runs and patterns are ordered, built and shipped with a single item #. Fixtures ordered as individuals are not designed to be joined together in the field.

Joiner System: Automatic alignment, no loose parts, one tool to tighten factory installed bolts for hairline seam. No light leaks.

Lamping: Lamps are set end-to-end. Factory-engineered drawings indicate the location and wattage of each lamp in continuous runs.

Mounting: Recessed into CertainTeed Architectural Techstyle ceiling. Grid mounted fixtures can be installed from below.

Specifications (continued)

Optical

Acrylic Linear Prismatic Lens, Clear: Snap-in. Shall be 100% DR, high performance clear acrylic (**APL**).

Acrylic Satin Lens: Snap-in. Shall be 100% DR acrylic (**ASL**).

Acrylic Satin Lens, Medium Diffuse: Snap-in. Shall be 100% DR acrylic (**ASLMD**). Multiply efficiency by .93.

Acrylic Satin Lens, Heavy Diffuse: Snap-in. Shall be 100% DR acrylic (**ASLHD**). Multiply efficiency by .68.

See lens images on page 4.

Finish

Acid etched or clear anodized housing electrostatically sprayed with high solids aliphatic two component polyurethane high (**H**) or semi-gloss (**SG**) to an avg. thickness of 2 mils. Custom finish, consult factory. Wood Finishes, back page.

Packing and Shipping

Fixtures built for continuous rows and patterns are given a specific location identifier, clearly identified on factory layout drawings, the fixture's ID Label, protective wrapping and on each end of fixture carton. Shipping pallets are built with 2" clearance, extending beyond the length and width of cartons, providing shipping protection.

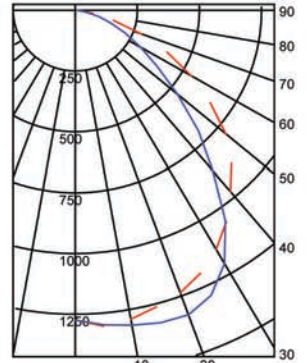
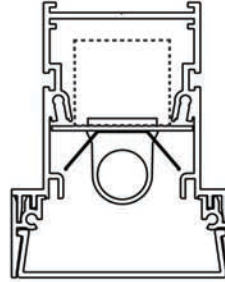
Approx. weight of 4' module is 12 lbs. including carton. Weight of pallet and supplemental packing materials not factored in.

Photometric Info / Downloads

Standard Performance Fixture with ASL shielding and T5 or T5HO lamping

(One lamp using Standard Diffuse lens. For Medium and Heavy diffuse lenses, use multiplier on page 2.)

IESNA: LM-63-2002
ISSUEDATE: 09/22/11
TEST: GB34RC2EASL.ies
TESTLAB: Photopia 3.2.6
MANUFAC: GAMMALUX LIGHTING SYSTEMS
LUMCAT: GB34RC2S-154T5HO-ASL
LAMPS: 1 54-WATT T-5 FP54/835 FLUOR.



Quadrilaterally Symmetric
Dashed: 0 Degrees Solid: 90 Degrees

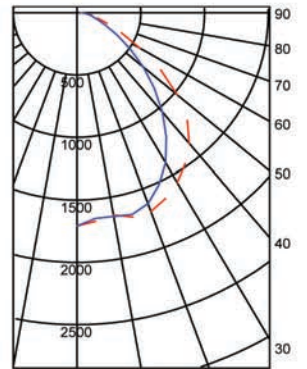
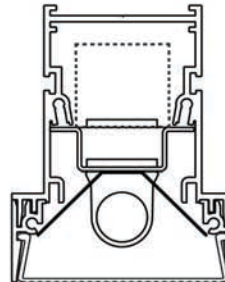
EFFICIENCY (Total): 65.8%
DISTRIBUTION % UP: 0.0%
DISTRIBUTION % DOWN: 65.8%
CIE CLASSIFICATION: DIRECT
LUMENS/LAMP: 5000
NO. OF LAMPS: 1
LUMINOUS OPENING: RECTANGULAR
Width: 0.21 (Feet)
Length: 3.83
Height: 0.18
INPUT WATTS: 59



High Performance Fixture with APL shielding and T5 or T5HO lamping

(Ghosted lamp image is visible from some angles)

IESNA: LM-63-2002
ISSUEDATE: 09/22/11
TEST: GB34RC2EAPL.ies
TESTLAB: Photopia 3.2.6
MANUFAC: GAMMALUX LIGHTING SYSTEMS
LUMCAT: GB34RC2S-154T5HO-APL
LAMPS: 1 54-WATT T-5 FP54/835 FLUOR.



Quadrilaterally Symmetric
Dashed: 0 Degrees Solid: 90 Degrees

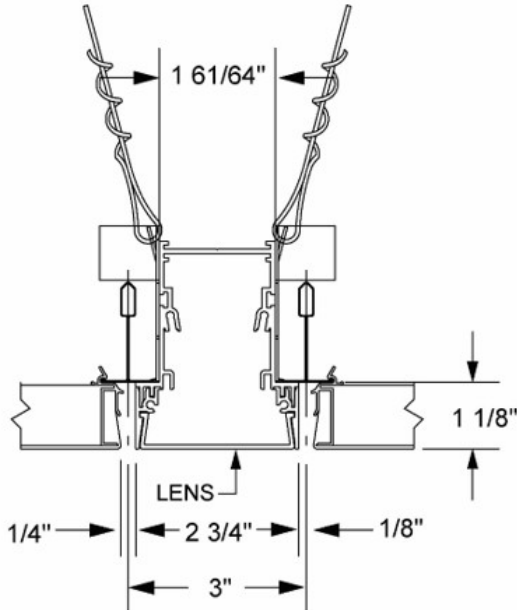
EFFICIENCY (Total): 81.3%
DISTRIBUTION % UP: 0.0 %
DISTRIBUTION % DOWN: 81.3%
CIE CLASSIFICATION: DIRECT
LUMENS/LAMP: 5000
NO. OF LAMPS: 1
LUMINOUS OPENING: RECTANGULAR
Width: 0.21 (Feet)
Length: 3.83
Height: 0.13
INPUT WATTS: 59



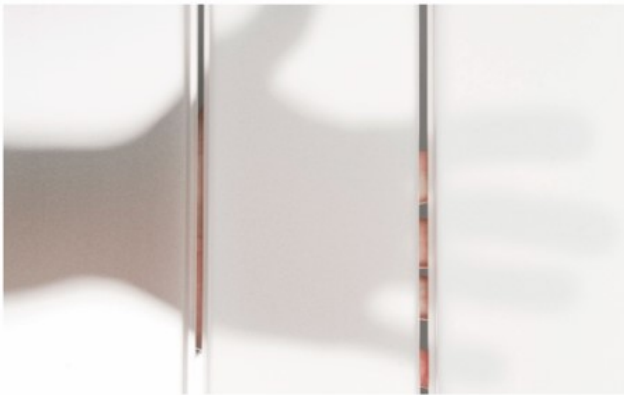
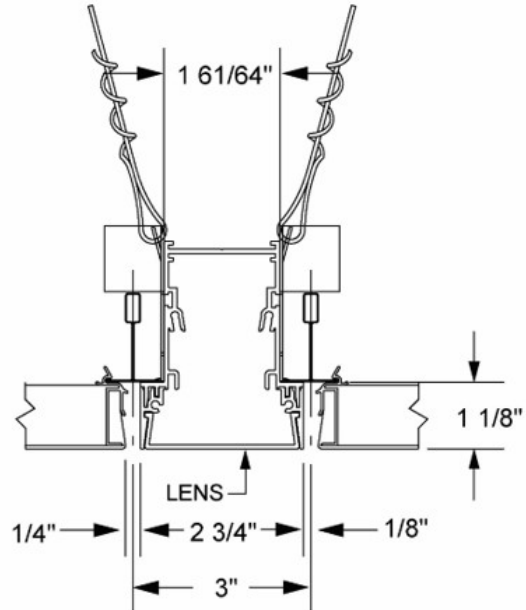
Mounting Details

Factory Drawings: Fully dimensioned factory drawings will be provided upon receipt of purchase order.

15/16" T Bar - 1 11/16":
Specify **T1SW** code in catalog #



15/16" T Bar - 1 1/2":
Specify **T1SW** code in catalog #



Acrylic Satin Lens
(ASL)

Acrylic Satin Lens,
Medium Diffuse
(ASLMD)

Acrylic Satin Lens,
Heavy Diffuse
(ASLHD)

**Mounting bracket is field adjustable to
accommodate both conditions.**

Gammalux Lighting Systems reserves the right to change the details of fixture design and construction at any time.