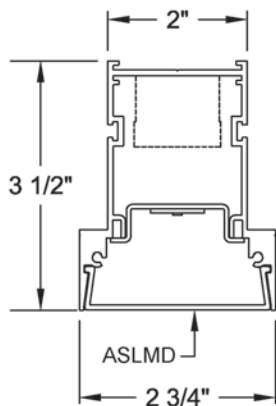




Click or scan QR code to view latest spec sheet



Revision Date: July 08, 2021  
Gammalux Lighting Systems reserves the right to change details of fixture designs and construction at any time.



**LED LAMPING** | **MR16 AVAILABLE**  
SEE ADDENDUM



Click photo to view product page  
Page 1: Overview & Nomenclature  
Pages 2-3: Specifications  
Pages 4-5: Photometric Info / Downloads  
Page 6: Mounting Details  
Page 8: Custom Programming

## Product Overview (for complete specifications, see pages 2 & 3)

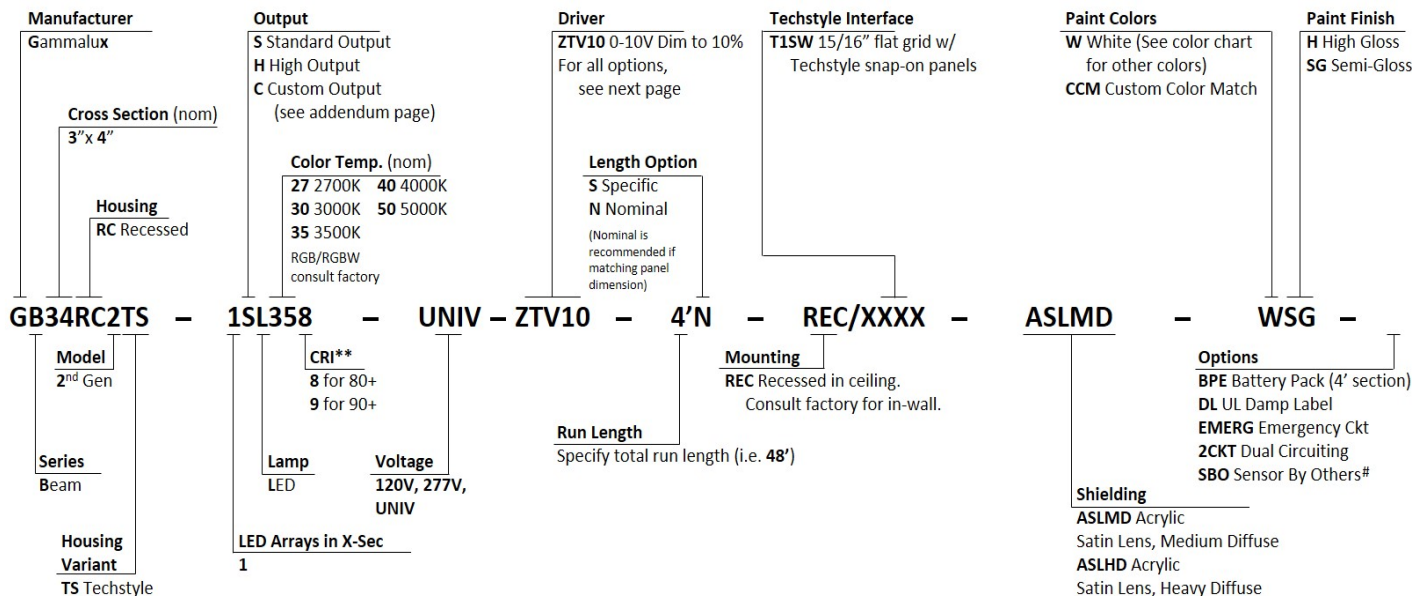
**Integration:** GAMMALUX GB34RC2TS is approved for use in CertainTeed Architectural Techstyle ceilings. GAMMALUX Premium fixtures are designed, engineered, & constructed for precise fit and finish for specific CertainTeed Architectural ceiling systems. GAMMALUX factory shop submittal drawings will be provided for each lighting fixture order. Construction maintains intended gap between fixture and adjacent panels.

**Construction:** I.C. rated. ARRA, RoHS, REACH and Prop 65 compliant. Runs can be built to match field conditions.

**Unbroken Illumination:** Continuous illumination via flush lenses available in medium or heavy diffusion, evenly illuminated.

**Electrical:** LED components by major manufacturers. Fixtures can be fitted with integral sensors, control interface devices and specialty LED components (consult factory). Standard Output, High Output and Custom Output options available.

## Standard Nomenclature



\*\* 90+ CRI option increases wattage by nom. 14.5%. # Sensor By Others, factory installed (consult factory).

## Specifications (continued on next page)

### Electrical

**Output:** Standard (**S**) and high (**H**) options deliver a pre-set lumen package (see chart below). Custom-programmed output (**C**) is specified as LPF, WPF or % of High Output (see Custom Programmed Output page).

**Static Driver:** Osram **Optotronic**\* programmable driver, wired for static operation (**DVR**).

**0-10V Dimming:** Osram **Optotronic**\* programmable driver, wired for 0-10v control and dimming to 10% (**ZTV10**) or to 1% (**ZTV1**). For 0-10v dimming to 1% in lengths other than 1' increments, consult factory.

**Step Dimming:** Generic step dimming driver, two hot inputs for 100% and 50% output (**SD2**).

**DALI Dimming:** Generic DALI driver with two loose control wires exiting fixture at power feed location (**DALI**).

**Lutron Dimming:** **Hi-lume LTE** dim to 1% 2-wire 120V forward phase (**LTEA2WA** for PWM providing smoothest dimming or **LTEA2WC** for CCR in applications with EMI requirements). **Hi-Lume** dim to 1% EcoSystem with Soft-On, Fade-to-Black (**LDE1**).

**White Emitter:** Nichia 757G emitters\* binned within 3 MacAdam ellipses in Osram or Gammalux proprietary array. 90+ CRI option with extended lead time (CRI code **9**) results in nominal 14.5% drop in efficacy; increase calculated wattage by 14.5%.

**Battery Pack:** Bodine **BSL310LP**\* (**BPE**). 4W max input, 10W initial output, delivers min. 27% of High Output value per 4' length.

**LED System:** 70% lumen output (L70) at max 85 degrees C calculated at >60k hours. Fixtures are shipped with anti-static gloves to minimize the risk of damage to LEDs during installation. [5 year limited warranty](#).

**Upgrade Capability:** LED assemblies can be replaced in the future with the latest factory-provided and fully warranted components. On-board sensors, control interface devices and alternate LED components may be specified (consult factory). Fixtures bear UL & cUL Dry Location label. Damp Location label available (**DL**).

\*Subject to availability; may be substituted by Gammalux. Components and specifications may be changed without notice.

LUMENS AND WATTS BY OUTPUT OPTION AND LED COLOR @ 80+ CRI*											
STANDARD OUTPUT LED						HIGH OUTPUT LED					
MEDIUM DIFFUSE LENS (ASLMD)			DELIVERS: <b>519.4 LPF</b>			MEDIUM DIFFUSE LENS (ASLMD)			DELIVERS: <b>692.5 LPF</b>		
HEAVY DIFFUSE (ASLHD)			DELIVERS: <b>446 LPF</b>			HEAVY DIFFUSE (ASLHD)			DELIVERS: <b>594.7 LPF</b>		
CCT	2700 K	3000 K	3500 K*	4000 K	5000 K	CCT	2700 K	3000 K	3500 K*	4000 K	5000 K
WATTS / FT.	5.9	5.7	5.6	5.3	5.2	WATTS / FT.	8.2	7.8	7.7	7.4	7.2
<small>* IES FILES WERE CREATED USING 3500 K DIODES @ 80+ CRI. WATTAGE IS MULTIPLIED BY 1.06 FOR 2700 K, 1.02 FOR 3000 K, .98 FOR 4000 K AND .93 FOR 5000 K DIODES TO MAINTAIN THE SAME DELIVERED LUMENS THROUGHOUT ALL COLOR TEMPERATURES. FOR 90+ CRI, INCREASE WATTAGE BY 14.5%. SEE ADDENDUM FOR CUSTOM PROGRAMMING.</small>											

### Construction

**Housing:** I.C. rated. ARRA, RoHS, REACH and Prop 65 compliant. Extruded aluminum body 2.75" wide x 3.50" high, 6063T5, 0.070" min thickness. Each housing is 12' max unless longer housings are pre-coordinated with the factory to reduce joints and installation labor. Fixtures are built per approved factory drawings and tested as a complete system at the factory. Continuous runs and patterns are ordered, built and shipped with a single item #. Fixtures ordered as individuals are not designed to be joined together in the field.

**Joiner System:** Automatic alignment, no loose parts, one tool to tighten factory installed bolts for hairline seam. No light leaks.

**Lamping:** Patterns are fully illuminated. Runs ordered in Specific Length (Length Option **S**) will be built to the exact dimension shown on signature-approved shop drawings. Runs ordered in Nominal Length (Option **N**) may be length-adjusted to accommodate standard mounting positions or grid centers. Factory drawings will show all dimensions for approval prior to production. Fixtures built to less than 4' may require master/satellite driver installation - consult factory.

**Mounting:** Recessed into CertainTeed Architectural Techstyle ceiling. Fixtures surrounded by grid should be ordered in Nominal length (Length Option **N**) and can be installed from below.

---

## Specifications (continued)

---

### Optical

**Reflectors:** Shall be formed diffuse high reflectance aluminum.

**Acrylic Satin Lens, Medium Diffuse:** Snap-in. Shall be 100% DR acrylic (**ASLMD**).

**Acrylic Satin Lens, Heavy Diffuse:** Snap-in. Shall be 100% DR acrylic (**ASLHD**).

See lens images on photometric pages.

---

### Finish

Acid etched or clear anodized housing electrostatically sprayed with high solids aliphatic two component polyurethane high (**H**) or semi-gloss (**SG**) to an avg. thickness of 2 mils. Custom finish, consult factory. Wood Finishes, back page.

---

### Packing and Shipping

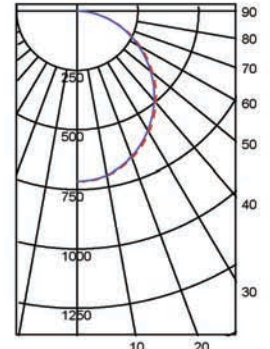
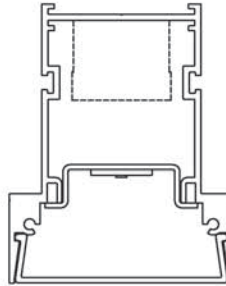
Fixtures built for continuous rows and patterns are given a specific location identifier, clearly identified on factory layout drawings, the fixture's ID Label, protective wrapping and on each end of fixture carton. Shipping pallets are built with 2" clearance, extending beyond the length and width of cartons, providing shipping protection.

Approx. weight of 4' module is 13 lbs. including carton. Weight of pallet and supplemental packing materials not factored in.

**Photometric Reports for  
STANDARD OUTPUT FIXTURES**

**FIXTURE USES LENS ASLMD (MEDIUM DIFFUSE) AND 3500 K BOARDS. @ 80+ CRI**

IESNA: LM 79-2008  
ISSUEDATE: 04/17/13  
TEST: ITL76971 mod to 2016 COMP  
TESTLAB: Photopia 3.2.6  
MANUFAC: GAMMALUX LIGHTING SYSTEMS  
LUMCAT: GB34D2-SOLED35-4'-ASLMD  
LAMPS: 73571 PLOG2-Bar-1100-835-289x38-DC



EFFICACY (Total): 86.8 LPW  
DISTRIBUTION % UP: 0%  
DISTRIBUTION % DOWN: 100%  
CIE CLASSIFICATION: DIRECT

Acrylic Satin Lens,  
Medium Diffuse  
(ASLMD)

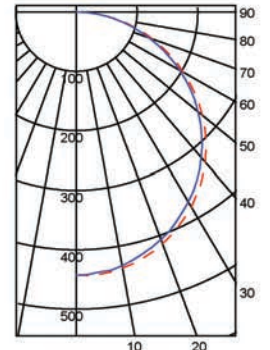
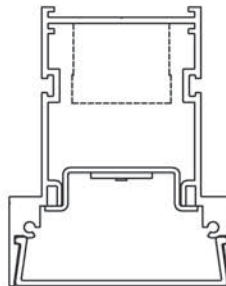
LUMINOUS OPENING: RECTANGULAR  
Width: 0.24 (Feet)  
Length: 3.96  
Height: 0.00  
INPUT WATTS: 25.4



Quadrilaterally Symmetric  
Dashed: 0 Degrees Solid: 90 Degrees

**FIXTURE USES LENS ASLHD (HEAVY DIFFUSE) AND 3500 K BOARDS. @ 80+ CRI**

IESNA: LM 79-2008  
ISSUEDATE: 04/18/13  
TEST: ITL76972 mod to 2016 COMP  
TESTLAB: ITL, INC  
MANUFAC: GAMMALUX LIGHTING SYSTEMS  
LUMCAT: GB34D2-SOLED35-4'-ASLHD  
LAMPS: 73571 PLOG2-Bar-1100-835-289x38-DC



EFFICACY (Total): 63.5 LPW  
DISTRIBUTION % UP: 0%  
DISTRIBUTION % DOWN: 100%  
CIE CLASSIFICATION: DIRECT

Acrylic Satin Lens,  
Heavy Diffuse  
(ASLHD)

LUMINOUS OPENING: RECTANGULAR  
Width: 0.24 (Feet)  
Length: 3.96  
Height: 0.00  
INPUT WATTS: 25.4



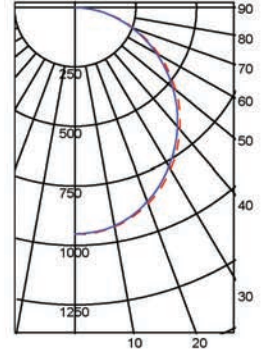
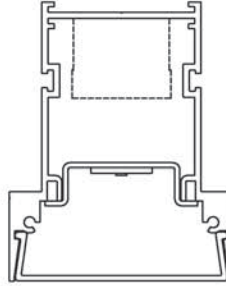
Quadrilaterally Symmetric  
Dashed: 0 Degrees Solid: 90 Degrees



**Photometric Reports for  
HIGH OUTPUT FIXTURES**

**FIXTURE USES LENS ASLMD (MEDIUM DIFFUSE) AND 3500 K BOARDS. @ 80+ CRI**

IESNA: LM 79-2008  
ISSUEDATE: 04/16/13  
TEST: ITL76971 mod to 2016 COMP  
TESTLAB: ITL, INC  
MANUFAC: GAMMALUX LIGHTING SYSTEMS  
LUMCAT: GB34D2-HOLED35-4'-ASLMD  
LAMPS: 73571 P LPG2-Bar-1100-835-289x38-DC



Quadralaterally Symmetric  
Dashed: 0 Degrees Solid: 90 Degrees

EFFICACY (Total): 86.5 LPW  
DISTRIBUTION % UP: 0%  
DISTRIBUTION % DOWN: 100%  
CIE CLASSIFICATION: DIRECT

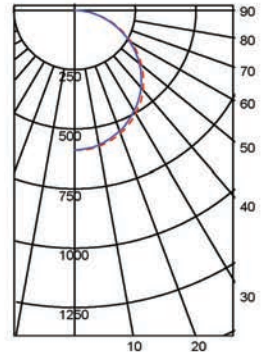
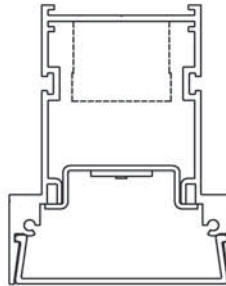
Acrylic Satin Lens,  
Medium Diffuse  
(ASLMD)

LUMINOUS OPENING: RECTANGULAR  
Width: 0.24 (Feet)  
Length: 3.96  
Height: 0.00  
INPUT WATTS: 35.3



**FIXTURE USES LENS ASLHD (HEAVY DIFFUSE) AND 3500 K BOARDS. @ 80+ CRI**

IESNA: LM 79-2008  
ISSUEDATE: 04/16/13  
TEST: ITL76972 mod to 2016 COMP  
TESTLAB: ITL, INC  
MANUFAC: GAMMALUX LIGHTING SYSTEMS  
LUMCAT: GB34D2-HOLED35-4'-ASLHD  
LAMPS: 73571 P LPG2-Bar-1100-835-289x38-DC



Quadralaterally Symmetric  
Dashed: 0 Degrees Solid: 90 Degrees

EFFICACY (Total): 60.9 LPW  
DISTRIBUTION % UP: 0%  
DISTRIBUTION % DOWN: 100%  
CIE CLASSIFICATION: DIRECT

Acrylic Satin Lens,  
Heavy Diffuse  
(ASLHD)

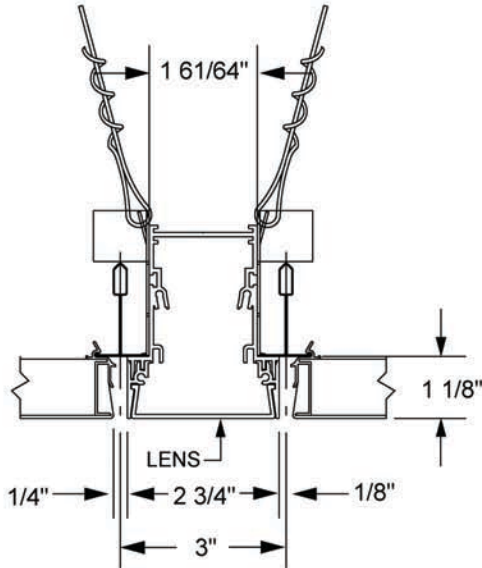
LUMINOUS OPENING: RECTANGULAR  
Width: 0.24 (Feet)  
Length: 3.96  
Height: 0.00  
INPUT WATTS: 35.3



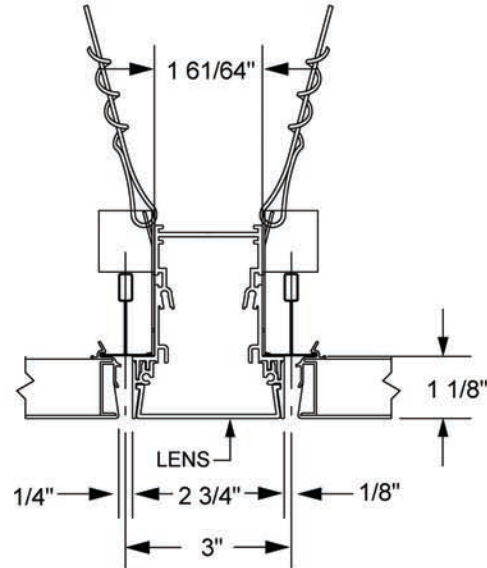
## Mounting Details

**Factory Drawings:** Fully dimensioned factory drawings will be provided upon receipt of purchase order.

**15/16" T Bar - 1 11/16":**  
Specify **T1SW** code in catalog #



**15/16" T Bar - 1 1/2":**  
Specify **T1SW** code in catalog #



Mounting bracket is field adjustable to accommodate both conditions.

Gammalux Lighting Systems reserves the right to change the details of fixture design and construction at any time.

---

## Custom Programmed Output

---

**Custom Programmed Output** can be specified to produce approximate Delivered Lumens per Foot, Percentage of High Output Value or Maximum Watts per Foot.

### Delivered Lumens Per Foot

Gammalux deals only in delivered lumens per foot. When working to match or exceed a competitor product's Lumens Per Foot package, be sure you are looking at their Delivered (through the lens) lumens per foot, not their System (bare board) lumens per foot.

In the Gammalux item #, use **C** as the Output designator and add a fixture description stating the required Lumens Per Foot value (ie: if you need 600 lumens per foot delivered by the fixture, the line note would read "Program = 600 LPF").

### Percentage of High Output Value

If the required delivered lumens per foot are not known, run lighting calculations using our High Output IES file and identify the percentage of increase or decrease required to produce the correct lighting in the space.

In the Gammalux item #, use **C** as the Output designator and add a fixture description stating the required percentage of decrease from our High Output value (ie: for 60% of our High Output value, the line note would read "Program = 60% of High Output").

### Maximum Watts Per Foot

In the Gammalux item #, use **C** as the Output designator and add a fixture description stating the required Maximum Watts per Foot (ie: if you need the fixtures capped at a maximum of 7 watts per foot, the line note would read "Program = 7 WPF").

For all three methods, custom programming capability is currently 25-200% of our High Output value. For requirements outside of this range, consult factory.