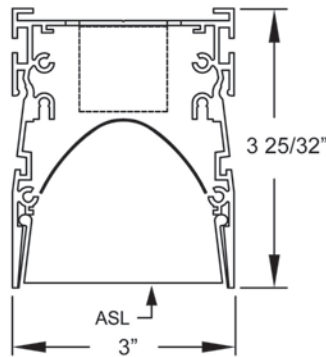




Click or scan QR code to view latest spec sheet



Revision Date: July 08, 2021
Gammalux Lighting Systems reserves the right to change details of fixture designs and construction at any time.



Fluorescent Lamping



Click photo to view product page
Page 1: Overview & Nomenclature
Pages 2-3: Specifications
Pages 4-5: Photometric Info / Downloads
Page 6: Mounting Details

Product Overview (for complete specifications, see pages 2 & 3)

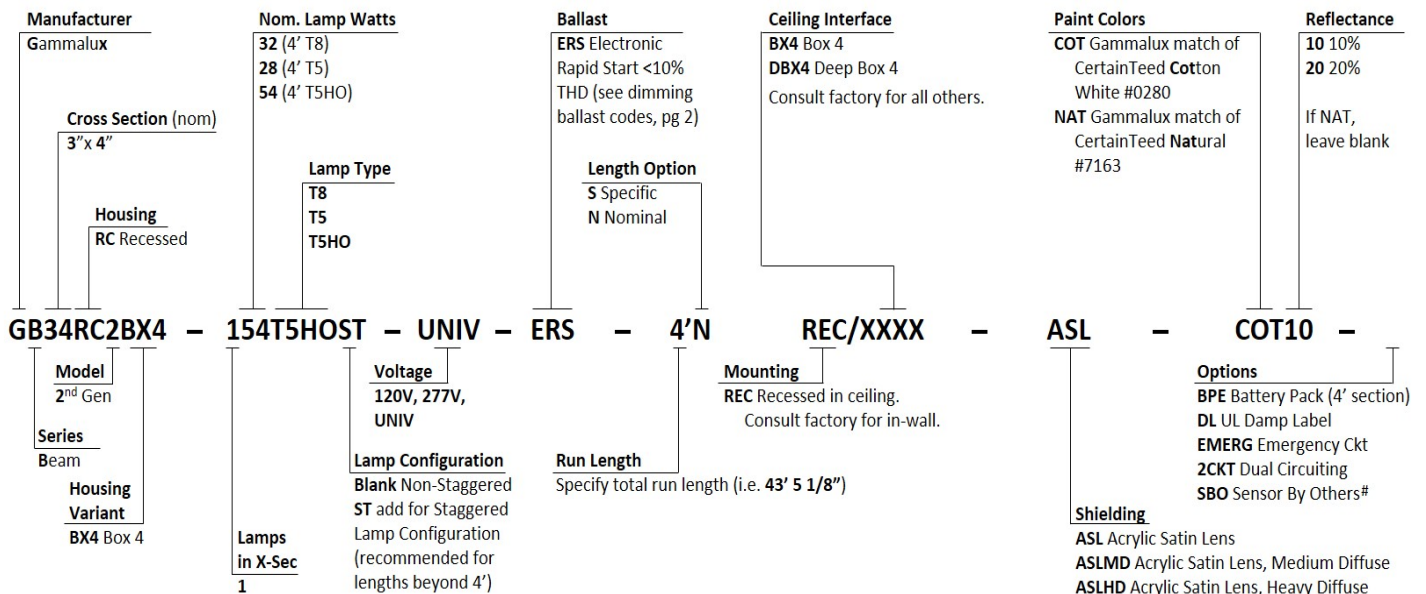
Integration: GAMMALUX GB34RC2BX4 is approved for use in the following CertainTeed Architectural ceilings: Box 4, Deep Box 4, Multi-Box. GAMMALUX Premium fixtures are designed, engineered, & constructed for precise fit and finish for specific CertainTeed Architectural ceiling systems. GAMMALUX factory shop submittal drawings will be provided for each lighting fixture order. Fixture end cap includes field-removable flange for interface with cut panel in line with fixture.

Construction: I.C. rated. ARRA, RoHS, REACH and Prop 65 compliant. Runs can be built to match field conditions.

Unbroken Illumination: Continuous illumination is possible with the use of staggered fluorescent lamps.

Electrical: Electrical components by major manufacturers. Fixtures can be fitted with integral sensors, control interface devices and other specialty components (consult factory).

Standard Nomenclature



* To better hide lamp image, medium or heavy diffuse lenses are recommended.

Specifications (continued on next page)

Electrical

Static Ballast*: Osram or equal Electronic Rapid Start with less than 10% Total Harmonic Distortion is default (**ERS**).

0-10V Dimming*: 0-10v dimming by Advance Mark 7 is default (**ZTV**).

Line Voltage Dimming*: Two-wire line voltage dimming by Advance Mark 10 is default (**TWR**).

DALI Dimming*: Dimming by generic DALI ballast (**DALI**).

Lutron Dimming: Dimming by Lutron EcoSystem, wired for EcoSystem control (**ECDE**). Dimming by Lutron EcoSystem, wired for 3-Wire control (**ECD3**). Dimming by Lutron EcoSystem H Series (**ECH**). Dimming by Lutron Hi-Lume 3D, wired for EcoSystem control (**H3DE**). Dimming by Lutron Hi-Lume 3D, wired for 3-Wire control (**H3D3**).

Step Dimming: Step Dimming availability is contingent upon multiple factors. Consult factory (**SDIM**).

On-board sensors, control interface devices may be specified (consult factory). Fixtures bear UL & cUL Dry Location label. Damp Location label available (**DL**).

*Subject to availability. May be substituted by Gammalux. Components and specifications may be changed without notice.

Construction

Housing: I.C. rated. ARRA, RoHS, REACH and Prop 65 compliant. Extruded aluminum body 3.00" wide x 3.71" high, 6063T5, 0.070" min thickness. Each housing is 12' max unless longer housings are pre-coordinated with the factory to reduce joints and installation labor. Fixtures are built per approved factory drawings and tested as a complete system at the factory. Continuous runs and patterns are ordered, built and shipped with a single item #. Fixtures ordered as individuals are not designed to be joined together in the field.

Joiner System: Automatic alignment, no loose parts, one tool to tighten factory installed bolts for hairline seam. No light leaks.

Lamping: Lamps are set end-to-end or single-lamp cross section of T5 lamps can be custom-staggered per exact run length (**ST**). Factory-engineered drawings indicate the location and wattage of each lamp in continuous runs.

Mounting: Recessed into a Box 4 (**REC/BX4**) or Deep Box 4 (**REC/DBX4**) ceiling system by CertainTeed Architectural. Fixture end cap includes field-removable flange for interface with cut panel inline with fixture.

Specifications (continued)

Optical

Reflectors: Shall be formed diffuse high reflectance aluminum.

Acrylic Satin Lens: Snap-in. Shall be 100% DR acrylic (**ASL**).

Acrylic Satin Lens, Medium Diffuse: Snap-in. Shall be 100% DR acrylic (**ASLMD**). Multiply efficiency by .93.

Acrylic Satin Lens, Heavy Diffuse: Snap-in. Shall be 100% DR acrylic (**ASLHD**). Multiply efficiency by .68.

See lens images on page 5.

Finish

Acid etched or clear anodized housing electrostatically sprayed with high solids aliphatic two component polyurethane to an avg. thickness of 2 mils. Gammalux match of CertainTeed finish. For custom finish, consult factory. Wood Finishes, back page.

Packing and Shipping

Fixtures built for continuous rows and patterns are given a specific location identifier, clearly identified on factory layout drawings, the fixture's ID Label, protective wrapping and on each end of fixture carton. Shipping pallets are built with 2" clearance, extending beyond the length and width of cartons, providing shipping protection.

Approx. weight of 4' module is 12 lbs. including carton. Weight of pallet and supplemental packing materials not factored in.

ATTENTION

Fixture, or run of fixtures, must interface with at least two ceiling Universal Carriers.

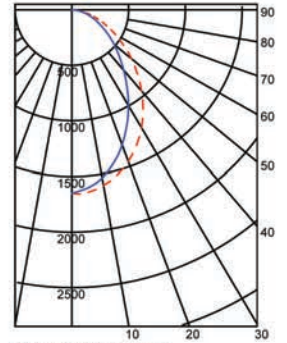
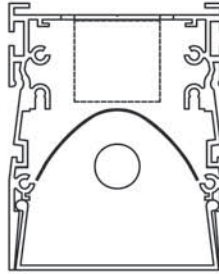
Photometric Info / Downloads

Fixtures with T5 or T5HO lamping

(One lamp using Standard Diffuse lens. For Medium and Heavy diffuse lenses, use multiplier on page 2.)

IESNA: LM-63-2002
ISSUEDATE: 02/06/07
TEST: ITL58194
TESTLAB: ITL, INC.
MANUFAC: GAMMALUX LIGHTING SYSTEMS
LUMCAT: GB34BX4-154T5-ASL
LAMPS: 1 54-WATT T-5 FP54/835 FLUOR.

EFFICIENCY (Total): 63.9%
EFFICIENCY (Downlight): 63.9%
EFFICIENCY (Uplight): 0.0%
CIE CLASSIFICATION: DIRECT
LUMENS/LAMP: 5000
NO. OF LAMPS: 1
LUMINOUS OPENING: RECTANGULAR
Width: 0.24 (Feet)
Length: 3.90
Height: 0.00
INPUT WATTS: 55.2



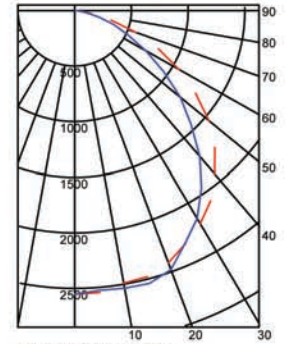
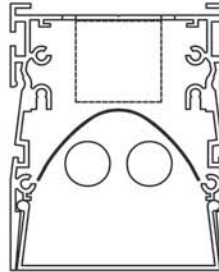
Quadrilaterally Symmetric
Dashed: 0 Degrees Solid: 90 Degrees

Fixtures with T5 or T5HO lamping

(Two lamp using Standard Diffuse lens. For Medium and Heavy diffuse lenses, use multiplier on page 2.)

IESNA: LM-63-2002
ISSUEDATE: 06/25/12
TEST: GB33RC22T5HOASL.ies
TESTLAB: PHOTOPIA 3.2.6
MANUFAC: GAMMALUX LIGHTING SYSTEMS
LUMCAT: GB34BX4-254T5-ASL
LAMPS: 1 54-WATT T-5 FP54/835 FLUOR.

EFFICIENCY (Total): 65.1%
EFFICIENCY (Downlight): 65.1%
EFFICIENCY (Uplight): 0.0%
CIE CLASSIFICATION: DIRECT
LUMENS/LAMP: 5000
NO. OF LAMPS: 2
LUMINOUS OPENING: RECTANGULAR
Width: 4.00 (Feet)
Length: 0.26
Height: 0.17
INPUT WATTS: 118



Quadrilaterally Symmetric
Dashed: 0 Degrees Solid: 90 Degrees

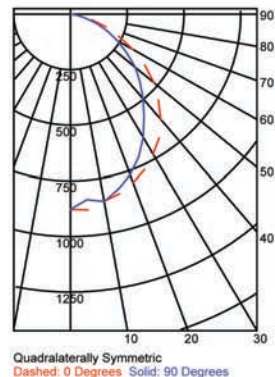
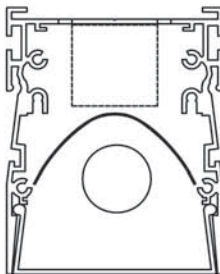
Photometric Info / Downloads

Fixtures with T8 lamping

(One lamp using Standard Diffuse lens. For Medium and Heavy diffuse lenses, use multiplier on page 2.)

IESNA: LM-63-2002
ISSUEDATE: 02/25/12
TEST: GB33RC21T8ASL.ies
TESTLAB: PHOTOPIA 3.2.6
MANUFAC: GAMMALUX LIGHTING SYSTEMS
LUMCAT: GB34BX4-132T8-ASL
LAMPS: 1 32-WATT T-8 FLUOR.

EFFICIENCY (Total): 69.3%
EFFICIENCY (Downlight): 69.3%
EFFICIENCY (Uplight): 0.0%
CIE CLASSIFICATION: DIRECT
LUMENS/LAMP: 2900
NO. OF LAMPS: 1
LUMINOUS OPENING: RECTANGULAR
Width: 0.25(Feet)
Length: 4.00
Height: 0.27
INPUT WATTS: 35

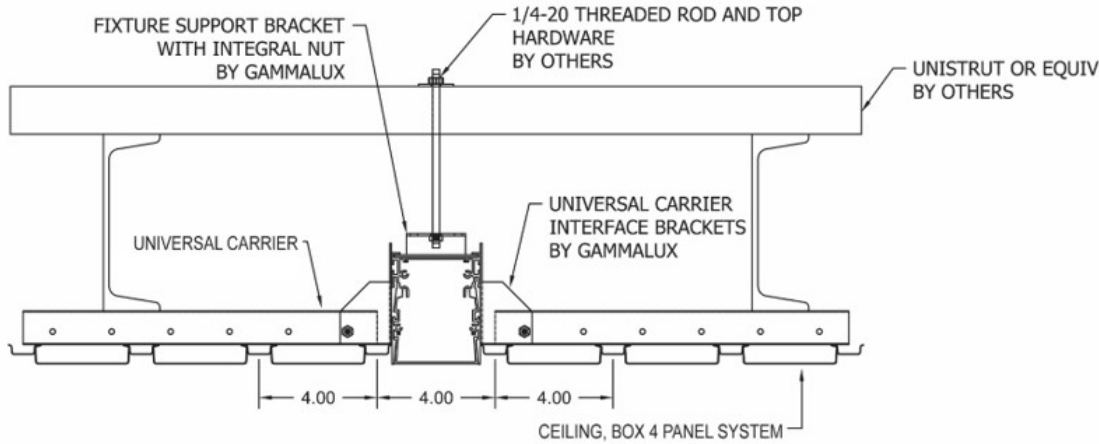


Mounting Details

Factory Drawings: Fully dimensioned factory drawings will be provided upon receipt of purchase order.

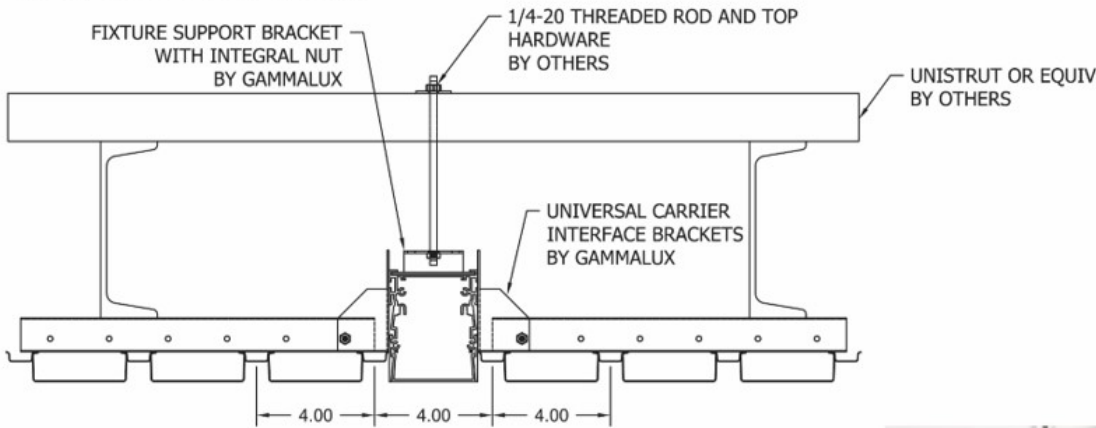
Box 4 Ceiling:

Specify **BX4** code in catalog #

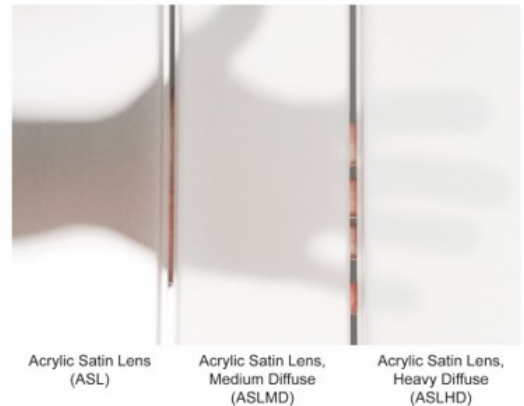


Deep Box 4 Ceiling:

Specify **DBX4** code in catalog #



Mounting bracket is field adjustable to accommodate Box 4 or Deep 4



Gammalux Lighting Systems reserves the right to change the details of fixture design and construction at any time.