

5015 Oakbrook Parkway, Suite 100
Norcross, GA 30093
O 800 366 4327
F 770 806 0214
www.certainteed.com/architectural

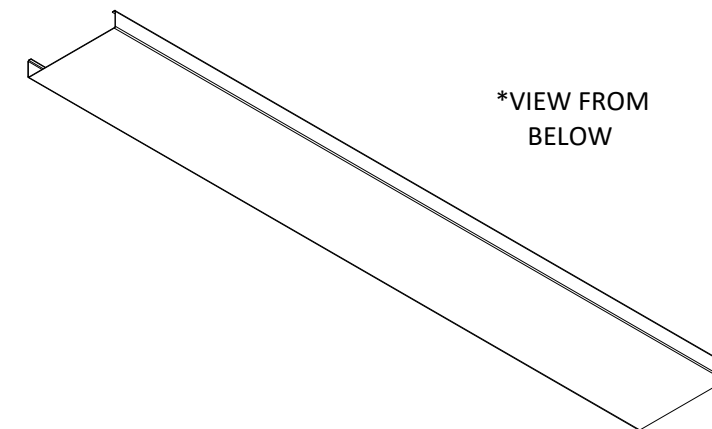
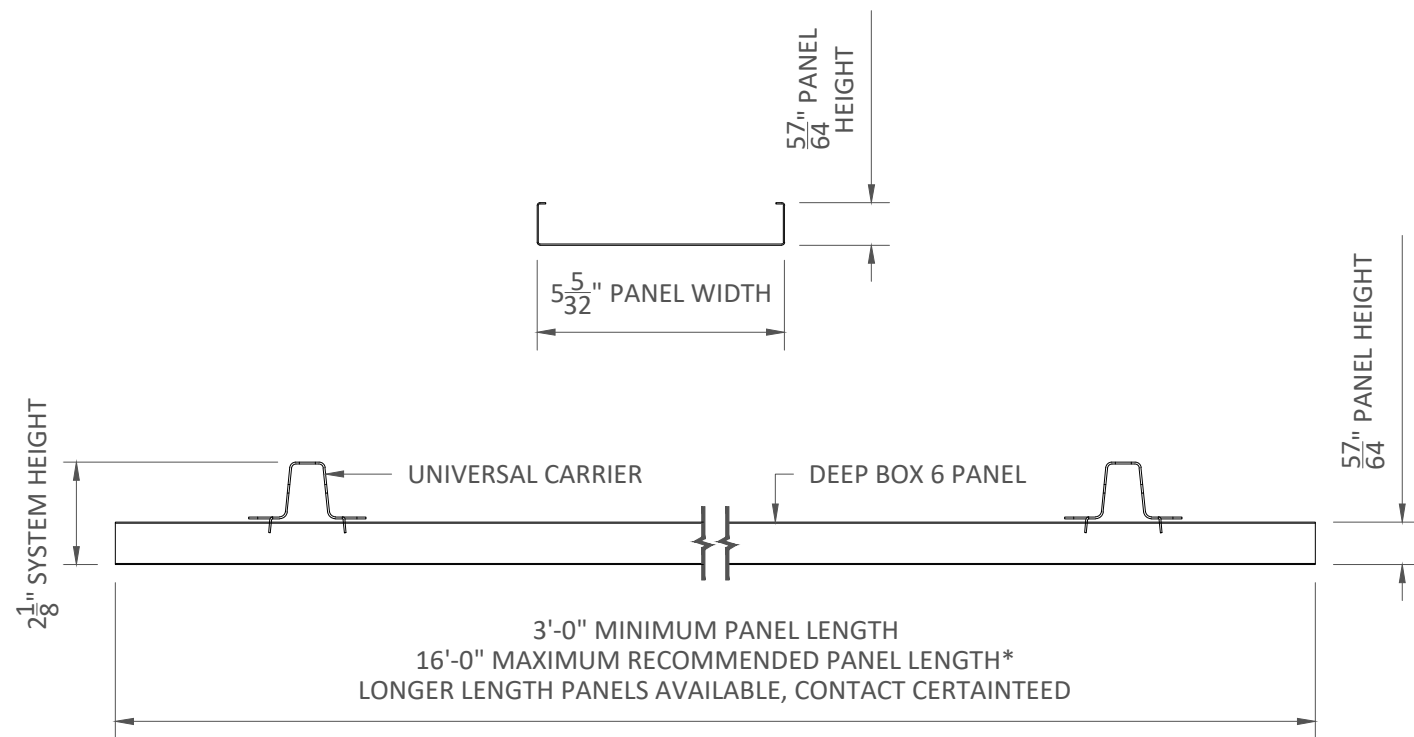
SPECIFICATIONS

(unless noted otherwise)
MATERIAL: .020" | .025" | .032" | .040" ALUMINUM DEEP BOX 6 PANEL | .040" ALUMINUM UNIVERSAL CARRIER
FINISH: PAINT | POWDER COAT | DECORATED WOOD FINISH | WOOD VENEER | LUXACOTE
PERFORATION: NOT AVAILABLE

OVERALL ISOMETRIC VIEW

PROJECT: DEEP BOX 6 PRODUCT SPECIFICATIONS
DRAWING NUMBER: DBOX6-A1.0
SCALE: AS SHOWN
DRAWN BY: CTA ENGINEERING
DATE: 6/1/21

These drawings show typical conditions for installing the CertainTeed product shown. They should not be construed as a substitute for an architectural or engineering design and do not reflect the unique requirements of local codes, laws, statutes or regulations that may be applicable for a specific installation. CertainTeed assumes no liability for the accuracy or completeness of the drawings for a specific installation or the fitness of the drawings for a particular purpose. The user is advised to consult with local licensed design professionals in order to assure compliance with all legal requirements. CertainTeed is not licensed to provide professional engineering or architectural services.



MATERIAL THICKNESS

DEEP BOX 6: .020", .025", .032", .040" ALUMINUM

PANEL FINISHES

PAINTED & POWDER COATED - INTERIOR & EXTERIOR

LUXACOTE - INTERIOR & EXTERIOR

DECORATED WOOD FINISH (POWDER COATED) - INTERIOR & EXTERIOR

WOOD VENEER - RECOMMENDED INTERIOR ONLY

10'-0" MAXIMUM RECOMMENDED PANEL LENGTH WITHOUT FINGER-JOINTING OF VENEER

16'-0" MAXIMUM RECOMMENDED PANEL LENGTH WITH FINGER-JOINTING OF VENEER

FACTORY END & SIDE PANEL VIEW

SCALE: 3" = 1'-0"

*PANEL LENGTHS AVAILABLE IN ± 1/8" TOLERANCE, MINIMUM QUANTITIES MAY APPLY

PANEL MATERIALS & FINISHES

SCALE: NOT TO SCALE

ARCHITECTURAL

CertainTeed
SAINT-GOBAIN

5015 Oakbrook Parkway, Suite 100
Norcross, GA 30093
O 800 366 4327
F 770 806 0214
www.certainteed.com/architectural

SPECIFICATIONS

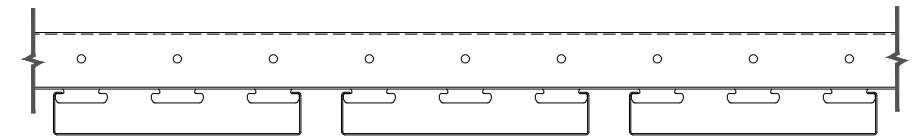
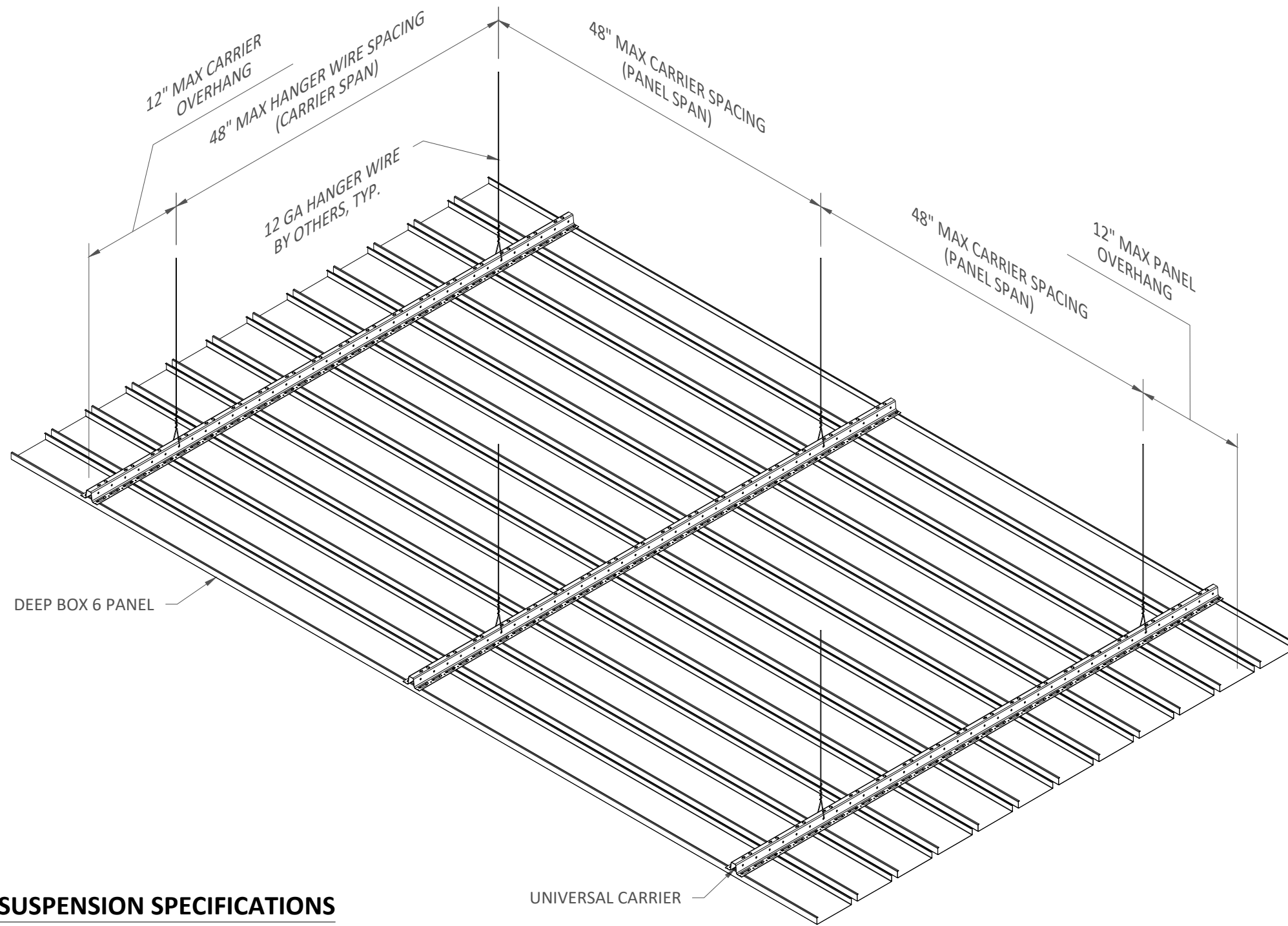
(unless noted otherwise)

MATERIAL: .020" | .025" | .032" | .040" ALUMINUM DEEP BOX 6 PANEL | .040" ALUMINUM UNIVERSAL CARRIER
FINISH: PAINT | POWDER COAT | DECORATED WOOD FINISH | WOOD VENEER | LUXACOTE
PERFORATION: NOT AVAILABLE

PANEL SPECIFICATIONS

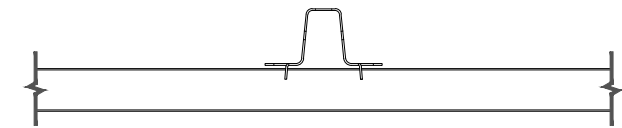
PROJECT: DEEP BOX 6 PRODUCT SPECIFICATIONS
DRAWING NUMBER: DBOX6-A1.1
SCALE: AS SHOWN
DRAWN BY: CTA ENGINEERING
DATE: 6/1/21

These drawings show typical conditions for installing the CertainTeed product shown. They should not be construed as a substitute for an architectural or engineering design and do not reflect the unique requirements of local codes, laws, statutes or regulations that may be applicable for a specific installation. CertainTeed assumes no liability for the accuracy or completeness of the drawings for a specific installation or the fitness of the drawings for a particular purpose. The user is advised to consult with local licensed design professionals in order to assure compliance with all legal requirements. CertainTeed is not licensed to provide professional engineering or architectural services.



SIDE VIEW OF UNIVERSAL CARRIER WITH PANEL

SCALE: 3" = 1'-0"



END VIEW OF UNIVERSAL CARRIER WITH PANEL

SCALE: 3" = 1'-0"

SUSPENSION SPECIFICATIONS

SCALE: NOT TO SCALE

INTERIOR INSTALLATION

UNIVERSAL CARRIER*

MATERIAL: 0.040" ALUMINUM

FINISH: MATTE BLACK

PART LENGTH: 16'-0"

*CARRIER SPLICE REQUIRED, SEE DETAIL A1.5

ARCHITECTURAL

CertainTeed
SAINT-GOBAIN

5015 Oakbrook Parkway, Suite 100
Norcross, GA 30093
O 800 366 4327
F 770 806 0214
www.certainteed.com/architectural

SPECIFICATIONS

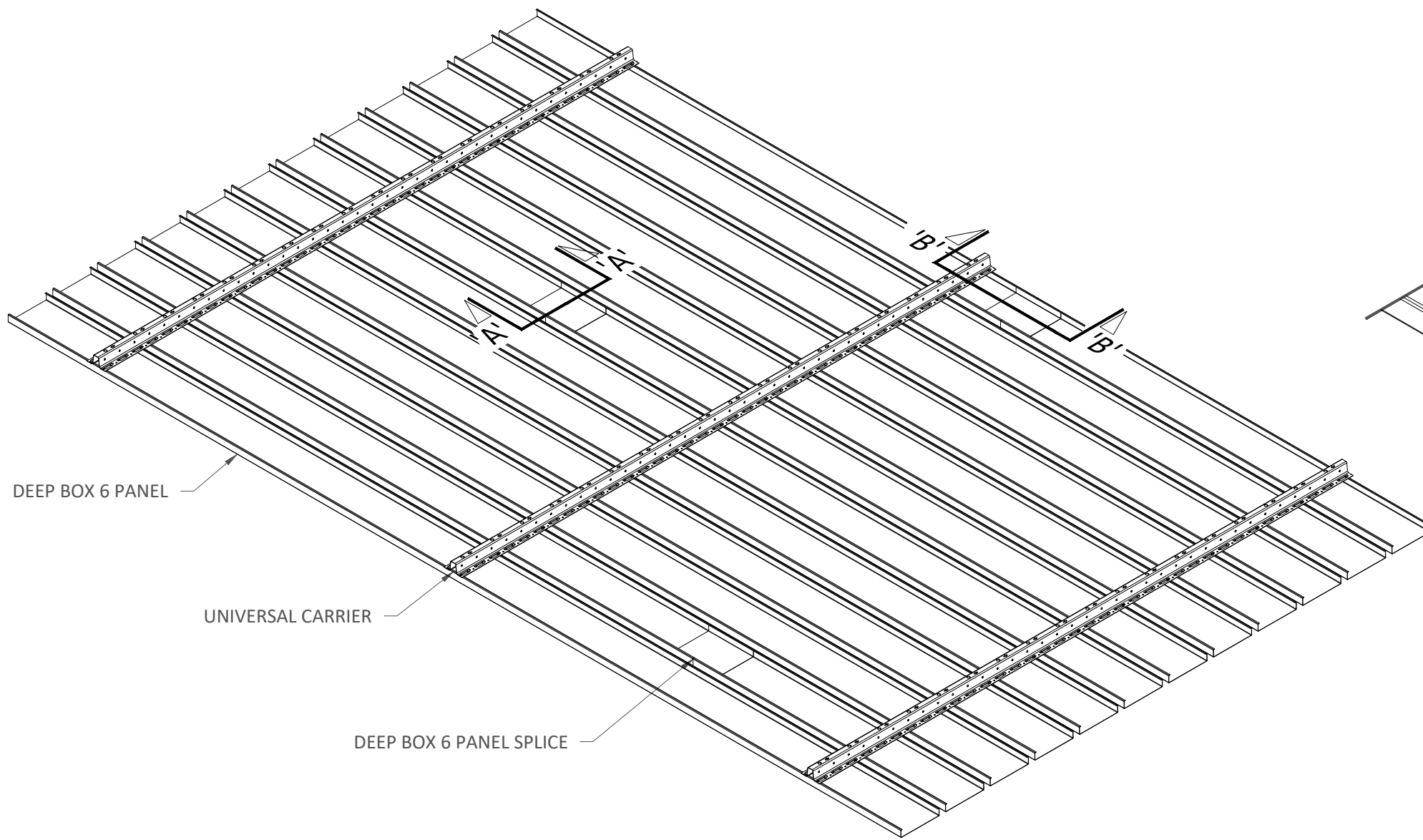
(unless noted otherwise)

MATERIAL: .020" | .025" | .032" | .040" ALUMINUM DEEP BOX 6 PANEL | .040"
ALUMINUM UNIVERSAL CARRIER
FINISH: PAINT | POWDER COAT | DECORATED WOOD FINISH | WOOD
VENEER | LUXACOTE
PERFORATION: NOT AVAILABLE

CARRIER SPECIFICATIONS

PROJECT: DEEP BOX 6 PRODUCT SPECIFICATIONS
DRAWING NUMBER: DBOX6-A1.2
SCALE: AS SHOWN
DRAWN BY: CTA ENGINEERING
DATE: 6/1/21

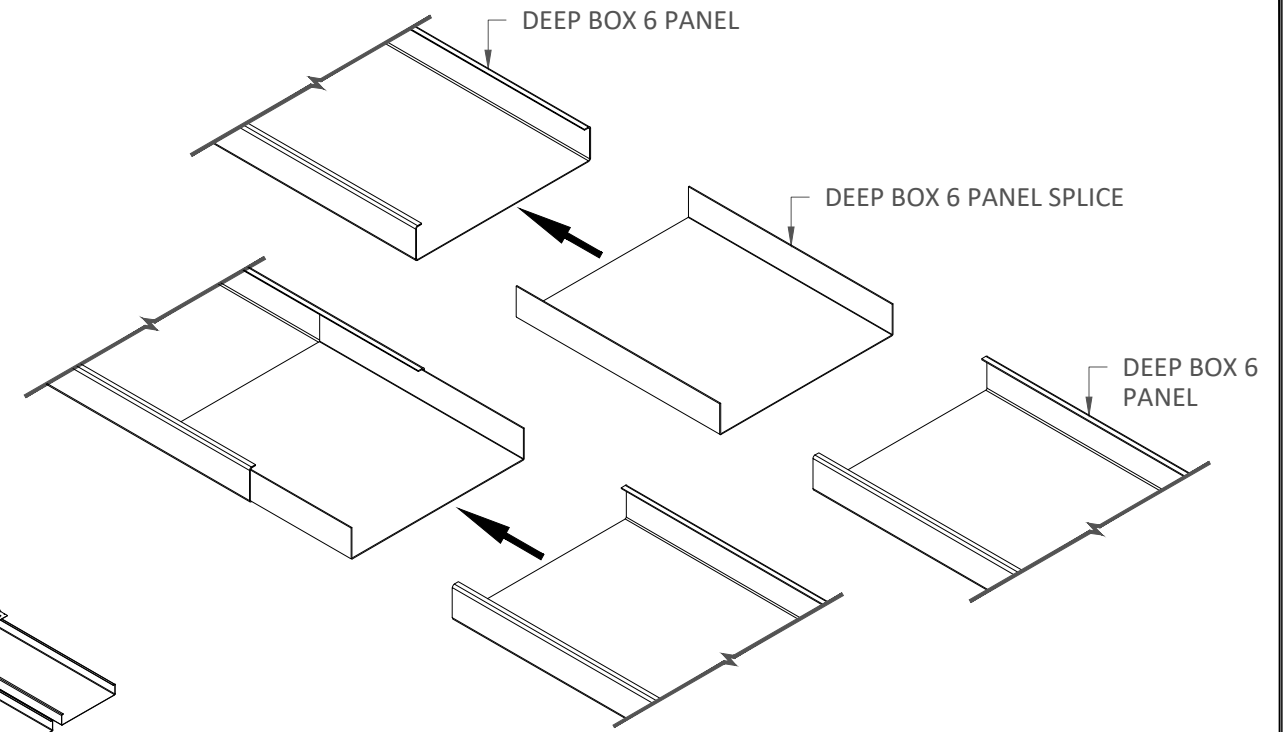
These drawings show typical conditions for installing the CertainTeed product shown. They should not be construed as a substitute for an architectural or engineering design and do not reflect the unique requirements of local codes, laws, statutes or regulations that may be applicable for a specific installation. CertainTeed assumes no liability for the accuracy or completeness of the drawings for a specific installation or the fitness of the drawings for a particular purpose. The user is advised to consult with local licensed design professionals in order to assure compliance with all legal requirements. CertainTeed is not licensed to provide professional engineering or architectural services.



DEEP BOX 6 PANEL

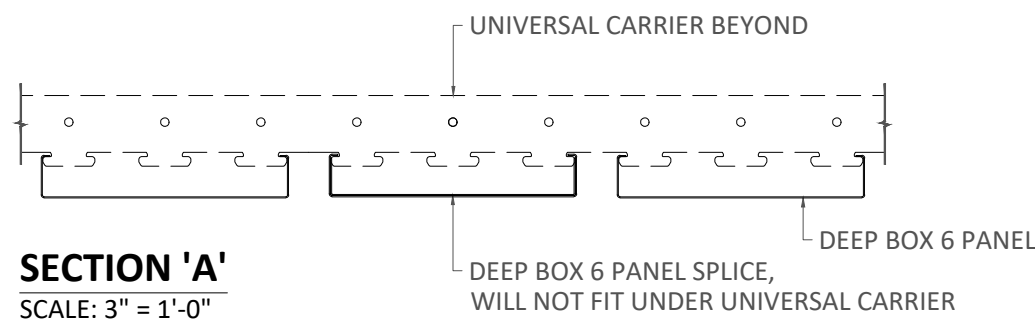
UNIVERSAL CARRIER

DEEP BOX 6 PANEL SPLICE



NOTE 1:
DO NOT SPLICE PANELS DIRECTLY BELOW UNIVERSAL CARRIERS.
PANEL SPLICES DO NOT FIT UNDER CARRIERS.

NOTE 2:
FIELD CUT PANELS AS REQUIRED TO CREATE A RANDOM
STAGGERED SEAM PATTERN. AVOID ALIGNED SEAMS.

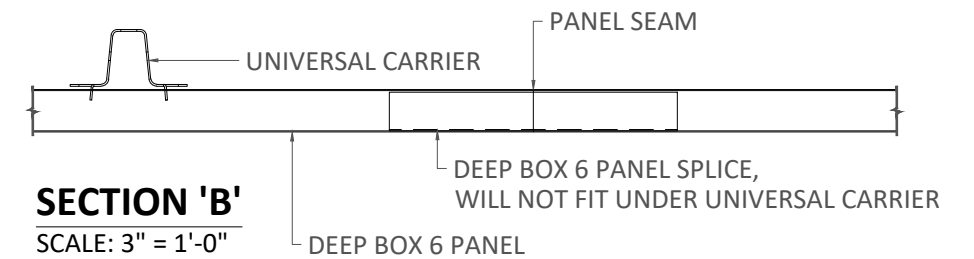


SECTION 'A'
SCALE: 3" = 1'-0"

UNIVERSAL CARRIER BEYOND

DEEP BOX 6 PANEL SPLICE,
WILL NOT FIT UNDER UNIVERSAL CARRIER

DEEP BOX 6 PANEL



SECTION 'B'
SCALE: 3" = 1'-0"

UNIVERSAL CARRIER

PANEL SEAM

DEEP BOX 6 PANEL SPLICE,
WILL NOT FIT UNDER UNIVERSAL CARRIER

DEEP BOX 6 PANEL

INTERIOR INSTALLATION

*HANGER WIRE OMITTED FOR CLARITY

ARCHITECTURAL

CertainTeed
SAINT-GOBAIN

5015 Oakbrook Parkway, Suite 100
Norcross, GA 30093
O 800 366 4327
F 770 806 0214
www.certainteed.com/architectural

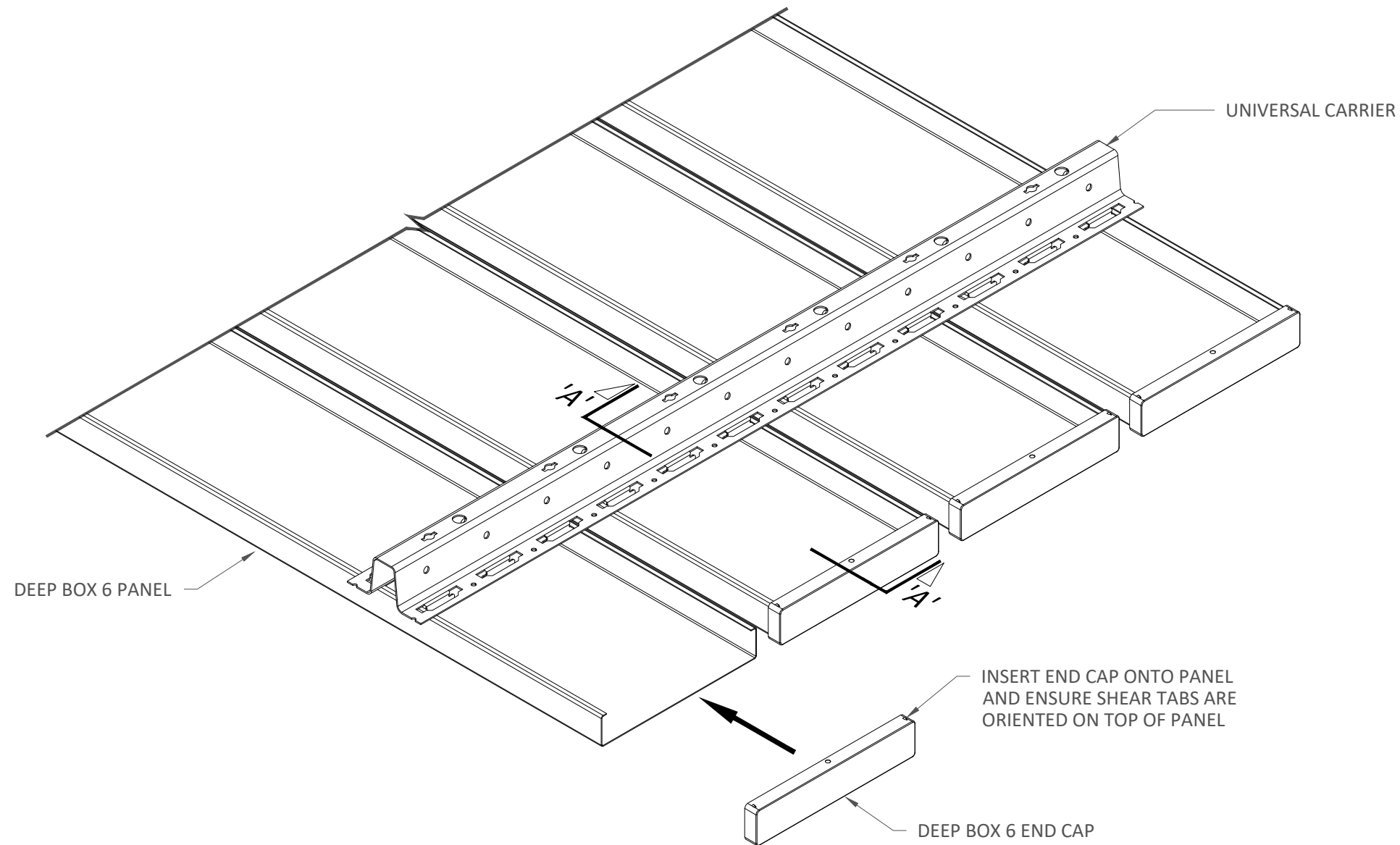
SPECIFICATIONS
(unless noted otherwise)

MATERIAL: .020" | .025" | .032" | .040" ALUMINUM DEEP BOX 6 PANEL | .040"
ALUMINUM UNIVERSAL CARRIER
FINISH: PAINT | POWDER COAT | DECORATED WOOD FINISH | WOOD
VENEER | LUXACOTE
PERFORATION: NOT AVAILABLE

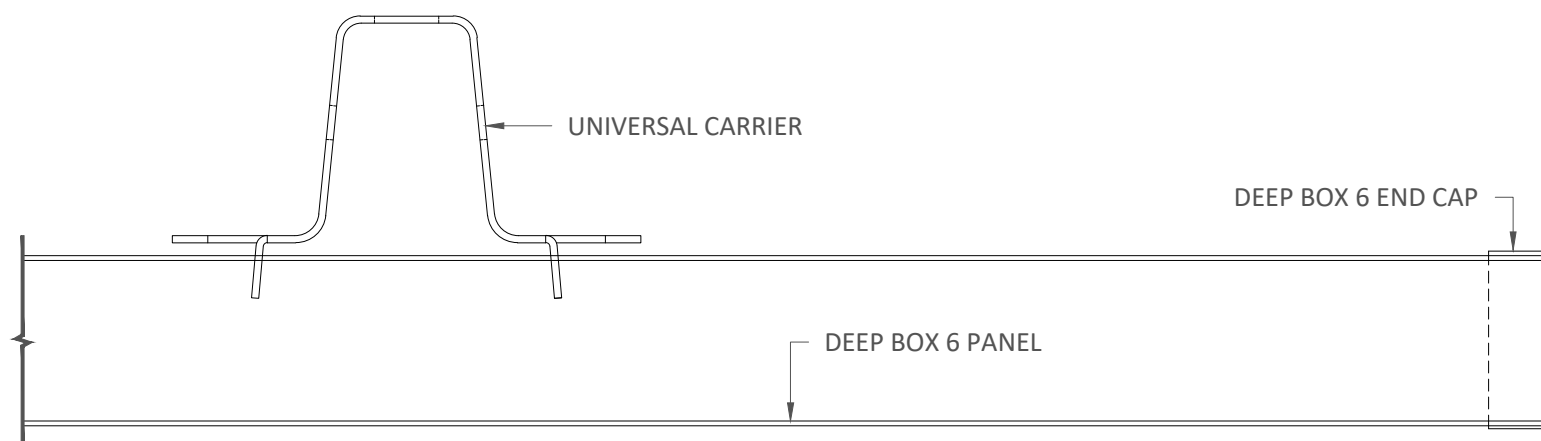
PANEL SPLICE

PROJECT: DEEP BOX 6 PRODUCT SPECIFICATIONS
DRAWING NUMBER: DBOX6-A1.3
SCALE: AS SHOWN
DRAWN BY: CTA ENGINEERING
DATE: 6/1/21

These drawings show typical conditions for installing the CertainTeed product shown. They should not be construed as a substitute for an architectural or engineering design and do not reflect the unique requirements of local codes, laws, statutes or regulations that may be applicable for a specific installation. CertainTeed assumes no liability for the accuracy or completeness of the drawings for a specific installation or the fitness of the drawings for a particular purpose. The user is advised to consult with local licensed design professionals in order to assure compliance with all legal requirements. CertainTeed is not licensed to provide professional engineering or architectural services.



SECTION 'A'
SCALE: FULL (1:1)



*HANGER WIRE OMITTED FOR CLARITY

ARCHITECTURAL

CertainTeed
SAINT-GOBAIN

5015 Oakbrook Parkway, Suite 100
Norcross, GA 30093
O 800 366 4327
F 770 806 0214
www.certainteed.com/architectural

SPECIFICATIONS

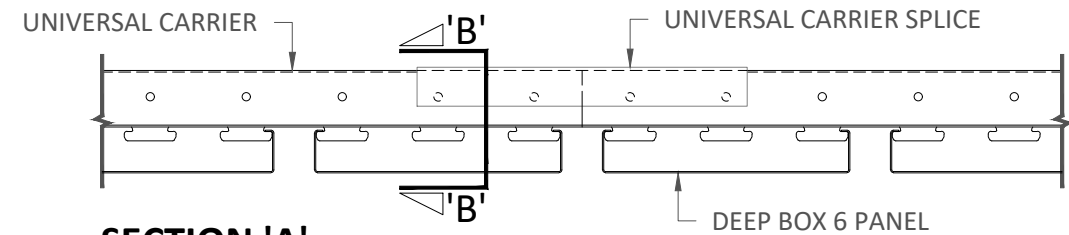
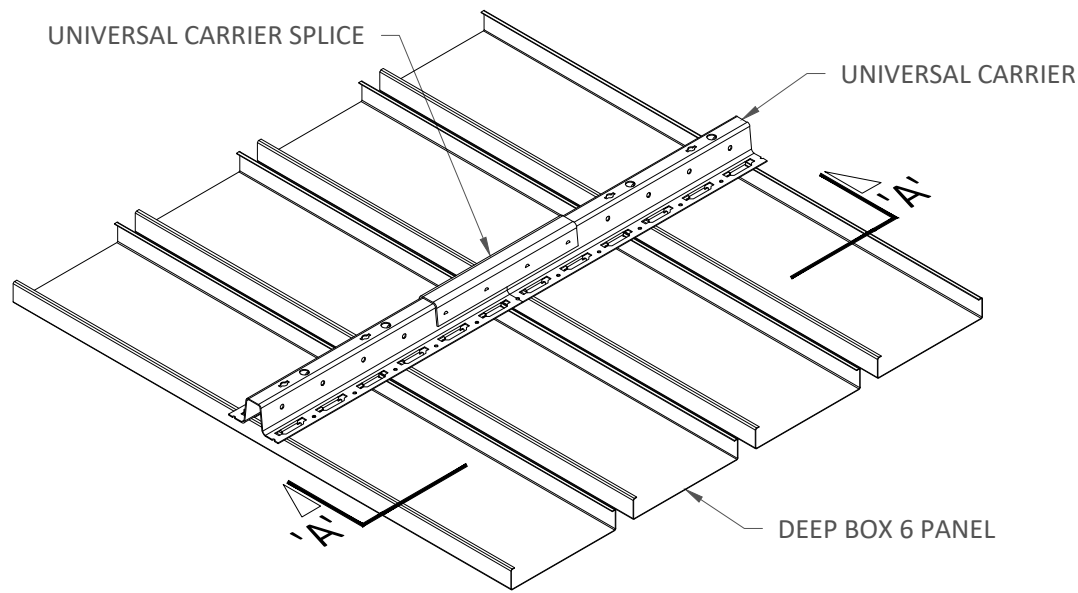
(unless noted otherwise)

MATERIAL: .020" | .025" | .032" | .040" ALUMINUM DEEP BOX 6 PANEL | .040"
ALUMINUM UNIVERSAL CARRIER
FINISH: PAINT | POWDER COAT | DECORATED WOOD FINISH | WOOD
VENEER | LUXACOTE
PERFORATION: NOT AVAILABLE

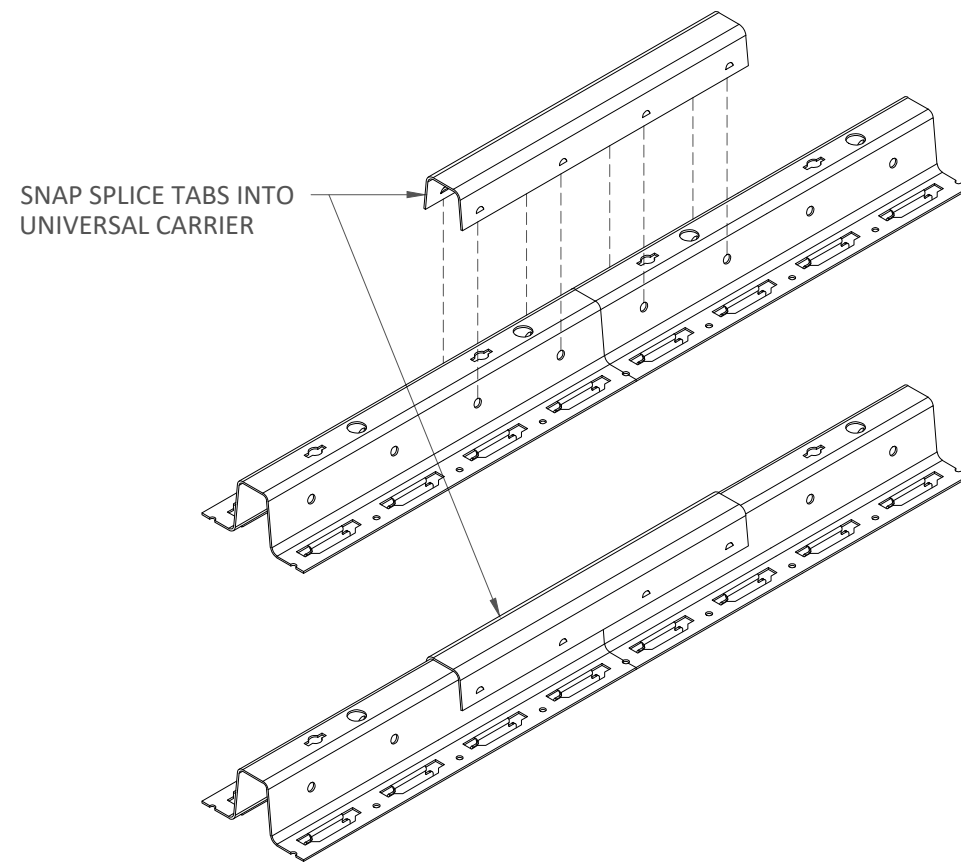
PANEL END CAP

PROJECT: DEEP BOX 6 PRODUCT SPECIFICATIONS
DRAWING NUMBER: DBOX6-A1.4
SCALE: AS SHOWN
DRAWN BY: CTA ENGINEERING
DATE: 6/1/21

These drawings show typical conditions for installing the CertainTeed product shown. They should not be construed as a substitute for an architectural or engineering design and do not reflect the unique requirements of local codes, laws, statutes or regulations that may be applicable for a specific installation. CertainTeed assumes no liability for the accuracy or completeness of the drawings for a specific installation or the fitness of the drawings for a particular purpose. The user is advised to consult with local licensed design professionals in order to assure compliance with all legal requirements. CertainTeed is not licensed to provide professional engineering or architectural services.

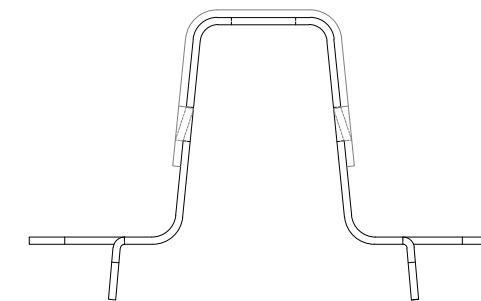


SECTION 'A'
SCALE: 3" = 1'-0"



IF THE DESIRED CARRIER LENGTH EXCEEDS THE MAXIMUM OF 16'-0", USE A LUXALON CARRIER SPLICE TO CONNECT THE FACTORY CARRIER ENDS.

THE TABS OF THE SPLICE SNAP INTO THE HOLES IN THE CARRIER AND ADDITIONAL FIXING IS NOT NECESSARY. THE MODULE IS CONTINUED AUTOMATICALLY.



SECTION 'B'
SCALE: FULL (1:1)

INTERIOR INSTALLATION

*HANGER WIRE OMITTED FOR CLARITY

ARCHITECTURAL

CertainTeed
SAINT-GOBAIN

5015 Oakbrook Parkway, Suite 100
Norcross, GA 30093
O 800 366 4327
F 770 806 0214
www.certainteed.com/architectural

SPECIFICATIONS

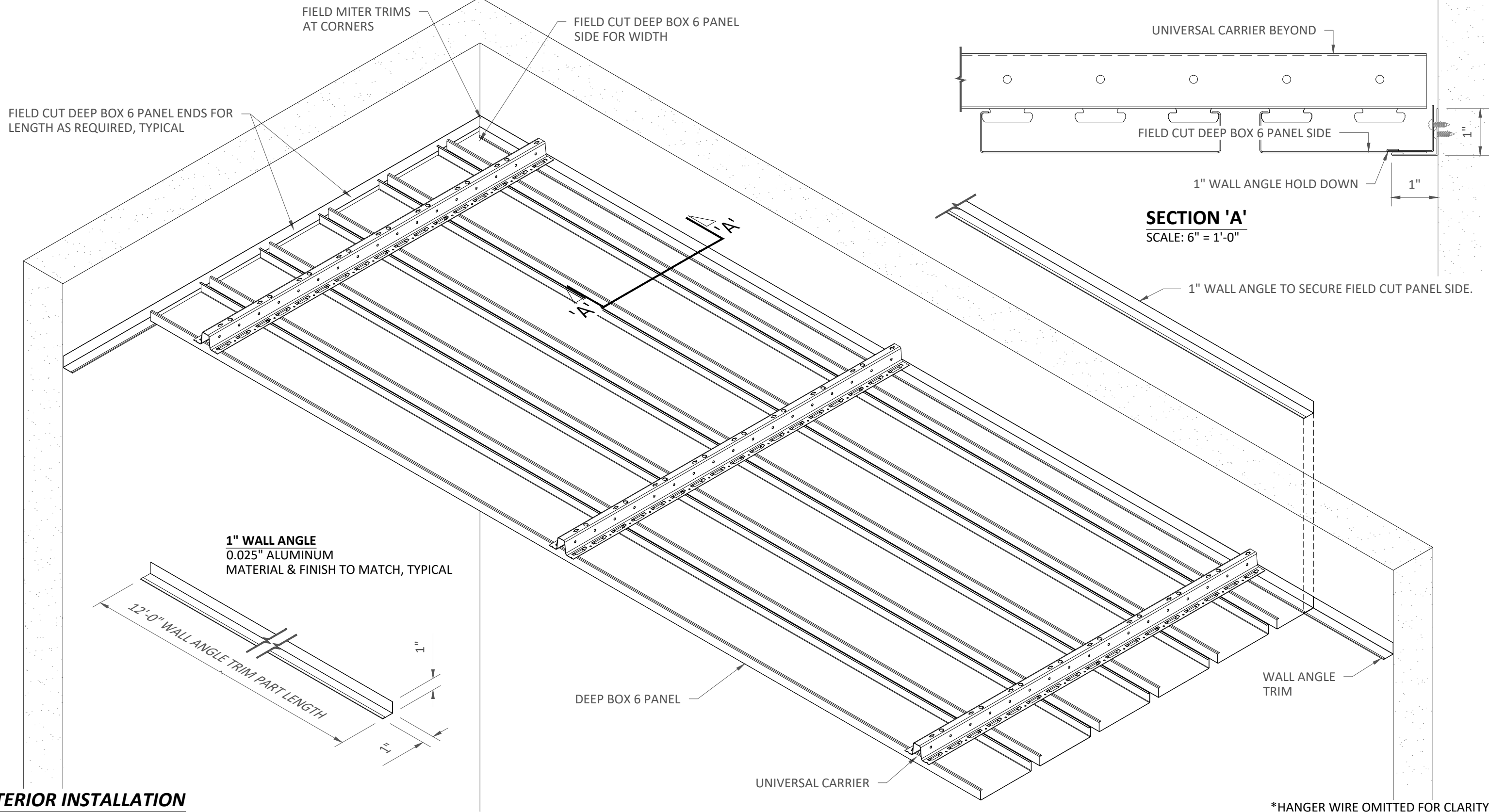
(unless noted otherwise)

MATERIAL: .020" | .025" | .032" | .040" ALUMINUM DEEP BOX 6 PANEL | .040"
ALUMINUM UNIVERSAL CARRIER
FINISH: PAINT | POWDER COAT | DECORATED WOOD FINISH | WOOD
VENEER | LUXACOTE
PERFORATION: NOT AVAILABLE

UNIVERSAL CARRIER SPLICE

PROJECT: DEEP BOX 6 PRODUCT SPECIFICATIONS
DRAWING NUMBER: DBOX6-A1.5
SCALE: AS SHOWN
DRAWN BY: CTA ENGINEERING
DATE: 6/1/21

These drawings show typical conditions for installing the CertainTeed product shown. They should not be construed as a substitute for an architectural or engineering design and do not reflect the unique requirements of local codes, laws, statutes or regulations that may be applicable for a specific installation. CertainTeed assumes no liability for the accuracy or completeness of the drawings for a specific installation or the fitness of the drawings for a particular purpose. The user is advised to consult with local licensed design professionals in order to assure compliance with all legal requirements. CertainTeed is not licensed to provide professional engineering or architectural services.



INTERIOR INSTALLATION

*HANGER WIRE OMITTED FOR CLARITY

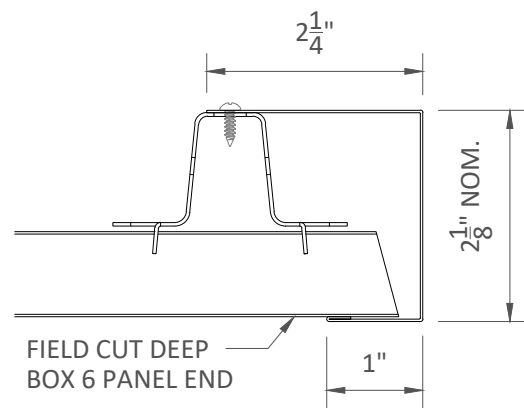


5015 Oakbrook Parkway, Suite 100
 Norcross, GA 30093
 O 800 366 4327
 F 770 806 0214
www.certainteed.com/architectural

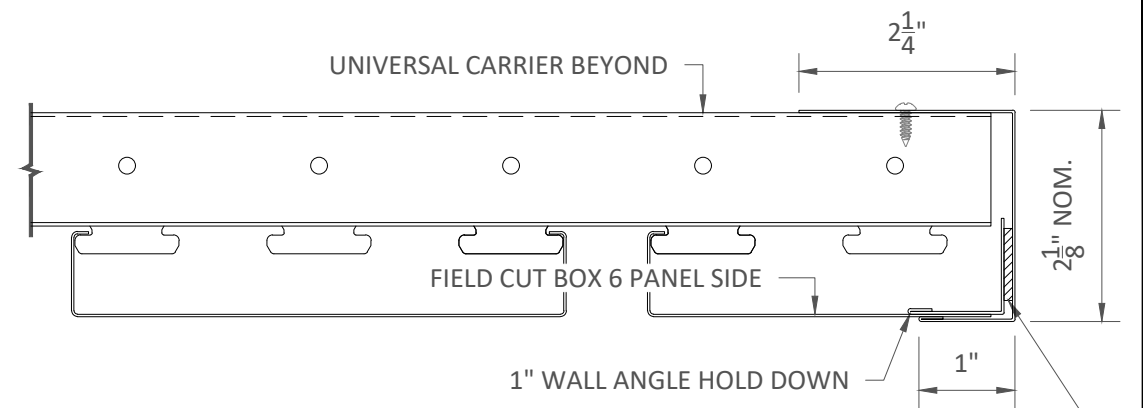
SPECIFICATIONS
 (unless noted otherwise)
 MATERIAL: .020" | .025" | .032" | .040" ALUMINUM DEEP BOX 6 PANEL | .040"
 ALUMINUM UNIVERSAL CARRIER
 FINISH: PAINT | POWDER COAT | DECORATED WOOD FINISH | WOOD
 VENEER | LUXACOTE
 PERFORATION: NOT AVAILABLE

WALL ANGLE TRIM
 PROJECT: DEEP BOX 6 PRODUCT SPECIFICATIONS
 DRAWING NUMBER: DBOX6-A1.6
 SCALE: AS SHOWN
 DRAWN BY: CTA ENGINEERING
 DATE: 6/1/21

These drawings show typical conditions for installing the CertainTeed product shown. They should not be construed as a substitute for an architectural or engineering design and do not reflect the unique requirements of local codes, laws, statutes or regulations that may be applicable for a specific installation. CertainTeed assumes no liability for the accuracy or completeness of the drawings for a specific installation or the fitness of the drawings for a particular purpose. The user is advised to consult with local licensed design professionals in order to assure compliance with all legal requirements. CertainTeed is not licensed to provide professional engineering or architectural services.

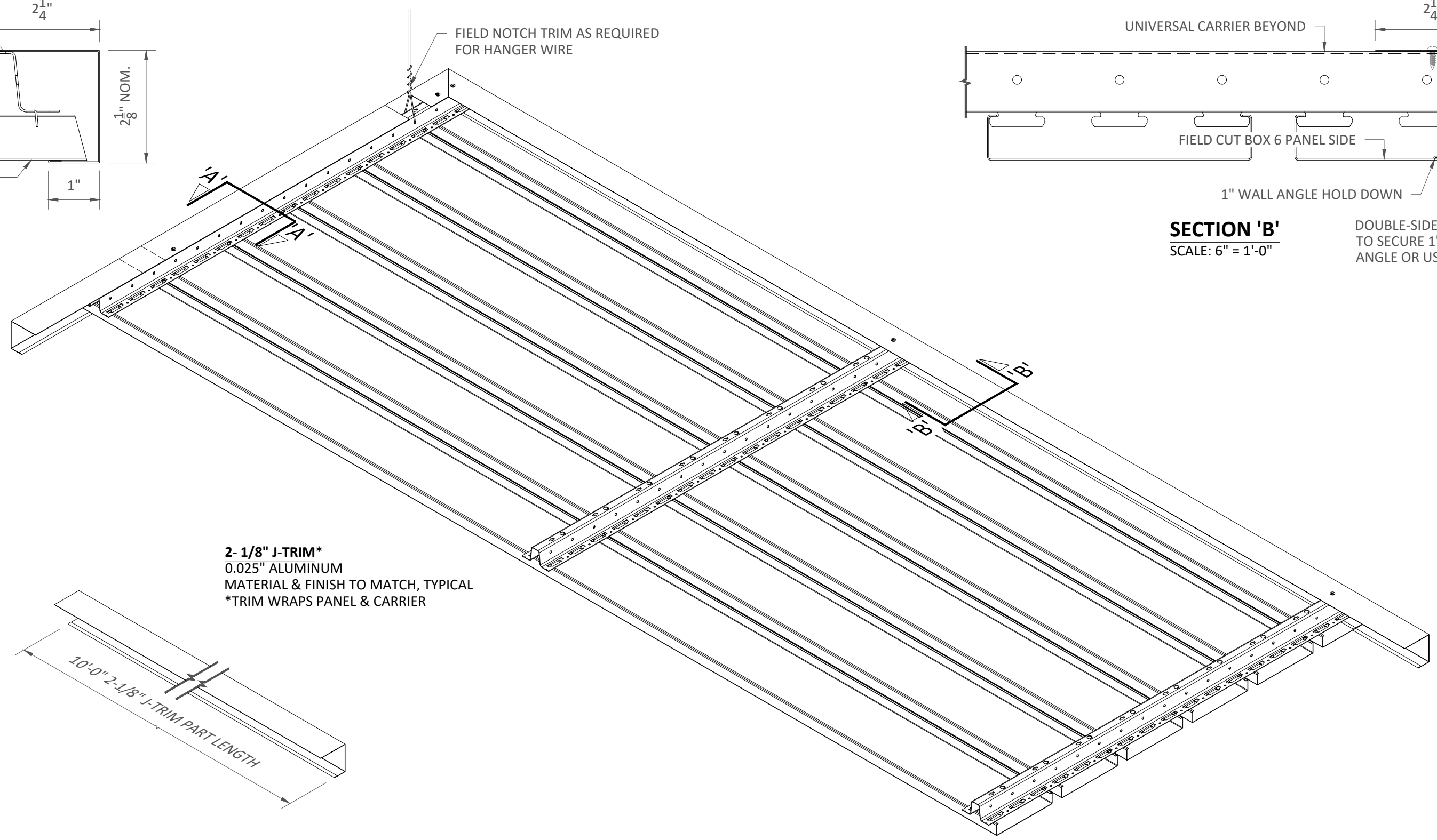


SECTION 'A'
SCALE: 6" = 1'-0"

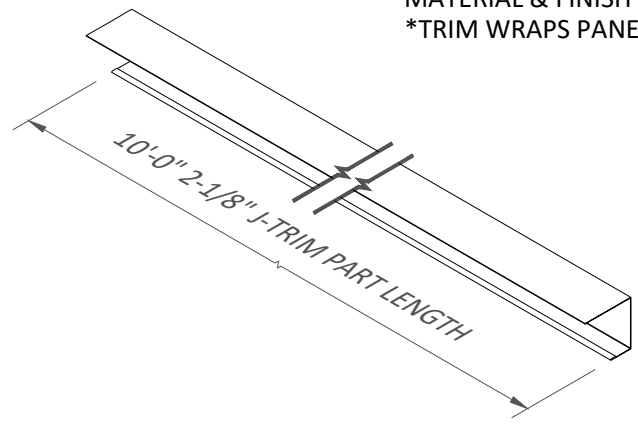


SECTION 'B'
SCALE: 6" = 1'-0"

DOUBLE-SIDED ADHESIVE TO SECURE 1" WALL ANGLE OR USE POP-RIVET



2- 1/8" J-TRIM*
0.025" ALUMINUM
MATERIAL & FINISH TO MATCH, TYPICAL
*TRIM WRAPS PANEL & CARRIER



INTERIOR INSTALLATION

*SOME HANGER WIRE OMITTED FOR CLARITY

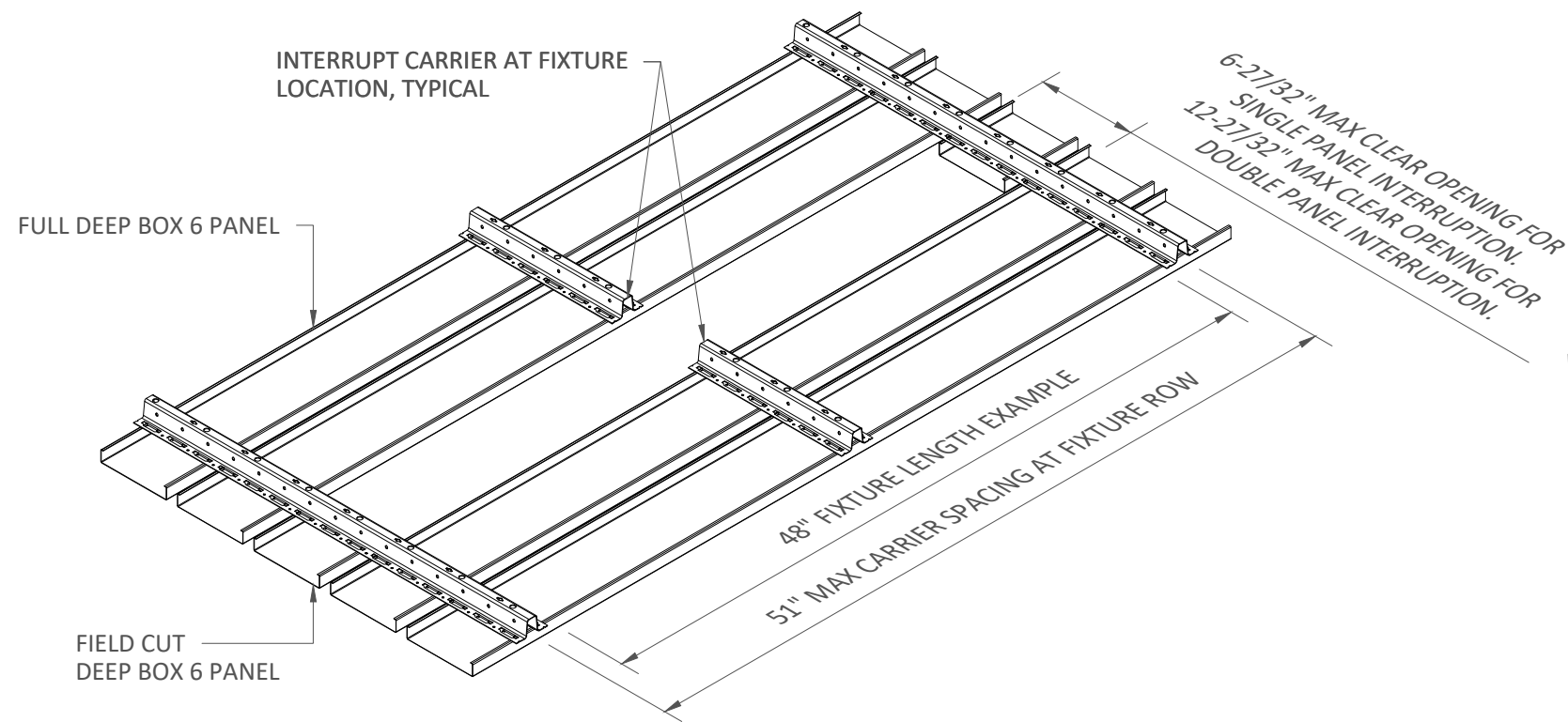


5015 Oakbrook Parkway, Suite 100
Norcross, GA 30093
O 800 366 4327
F 770 806 0214
www.certainteed.com/architectural

SPECIFICATIONS
(unless noted otherwise)
MATERIAL: .020" | .025" | .032" | .040" ALUMINUM DEEP BOX 6 PANEL | .040" ALUMINUM UNIVERSAL CARRIER
FINISH: PAINT | POWDER COAT | DECORATED WOOD FINISH | WOOD VENEER | LUXACOTE
PERFORATION: NOT AVAILABLE

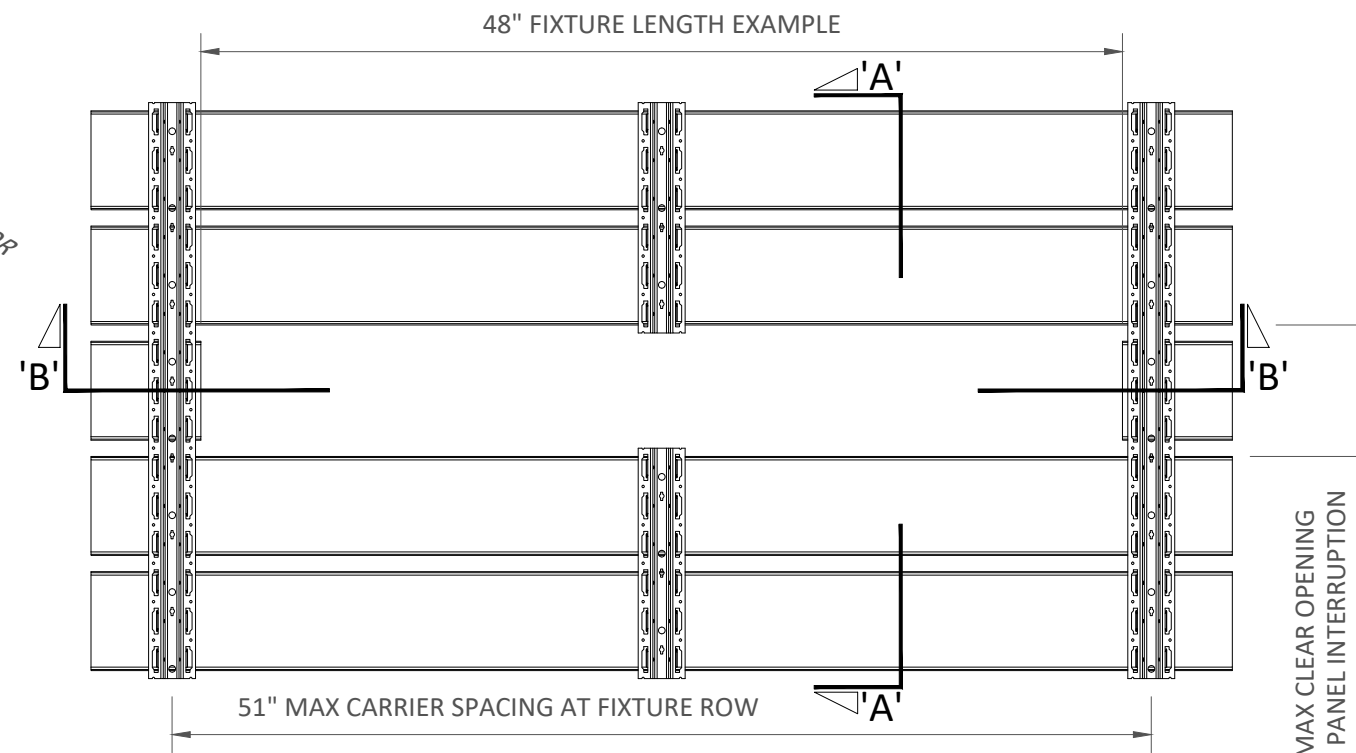
FLOATING TRIM
PROJECT: DEEP BOX 6 PRODUCT SPECIFICATIONS
DRAWING NUMBER: DBOX6-A1.7
SCALE: AS SHOWN
DRAWN BY: CTA ENGINEERING
DATE: 6/1/21

These drawings show typical conditions for installing the CertainTeed product shown. They should not be construed as a substitute for an architectural or engineering design and do not reflect the unique requirements of local codes, laws, statutes or regulations that may be applicable for a specific installation. CertainTeed assumes no liability for the accuracy or completeness of the drawings for a specific installation or the fitness of the drawings for a particular purpose. The user is advised to consult with local licensed design professionals in order to assure compliance with all legal requirements. CertainTeed is not licensed to provide professional engineering or architectural services.



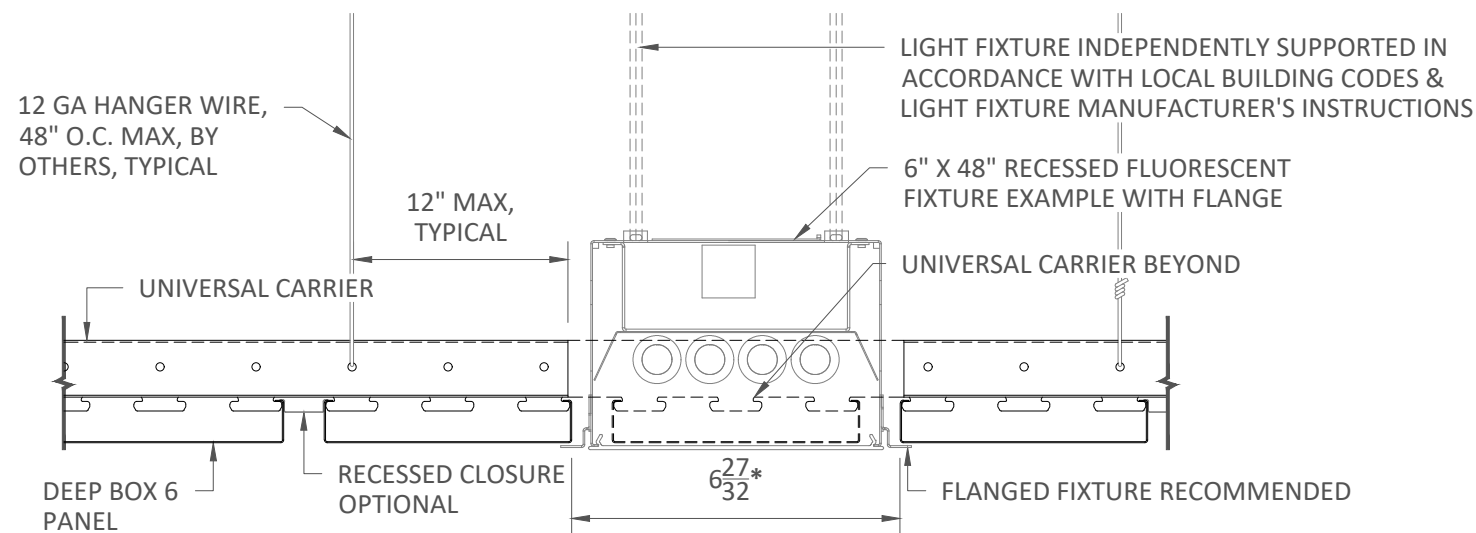
TYPICAL ISOMETRIC

SCALE: NOT TO SCALE



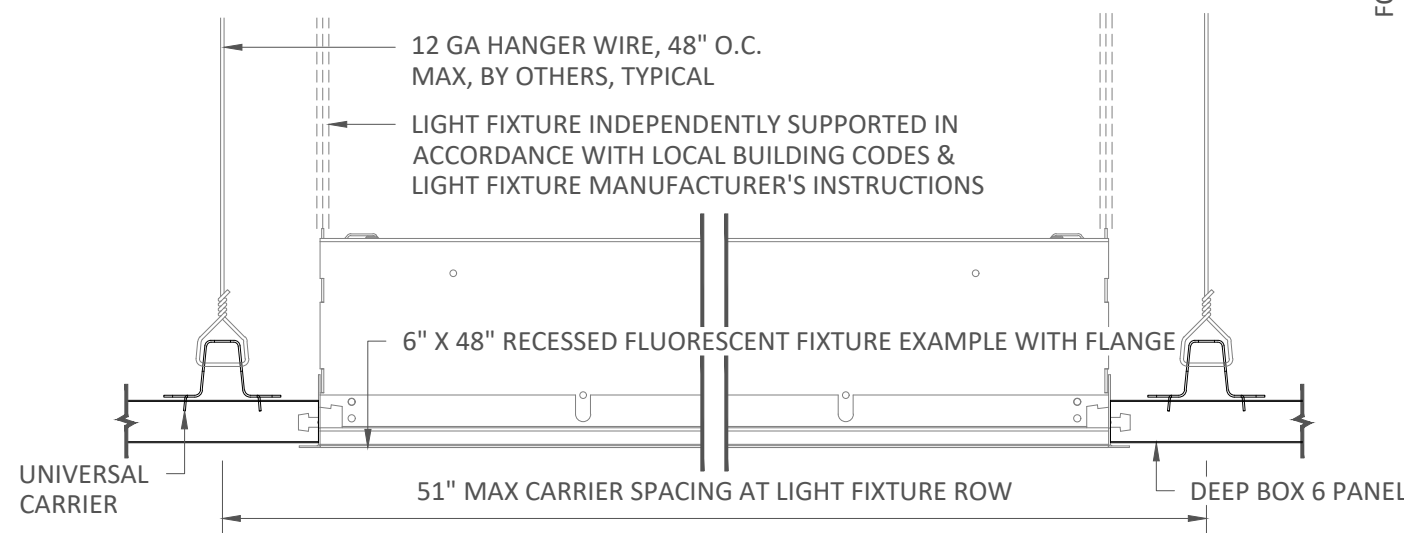
TOP VIEW

SCALE: NOT TO SCALE



SECTION 'A'
SCALE: 3" = 1'-0"

*6-27/32" MAX CLEAR OPENING, PANEL EDGE TO PANEL EDGE, FOR SINGLE PANEL INTERRUPTION.
12-27/32" MAX CLEAR OPENING, PANEL EDGE TO PANEL EDGE, FOR DOUBLE PANEL INTERRUPTION.



SECTION 'B'
SCALE: 3" = 1'-0"

NOTE: FIXTURE WITH TRIM FLANGE NOT BY CERTAINTEED

ARCHITECTURAL

CertainTeed
SAINT-GOBAIN

5015 Oakbrook Parkway, Suite 100
Norcross, GA 30093
O 800 366 4327
F 770 806 0214
www.certainteed.com/architectural

SPECIFICATIONS

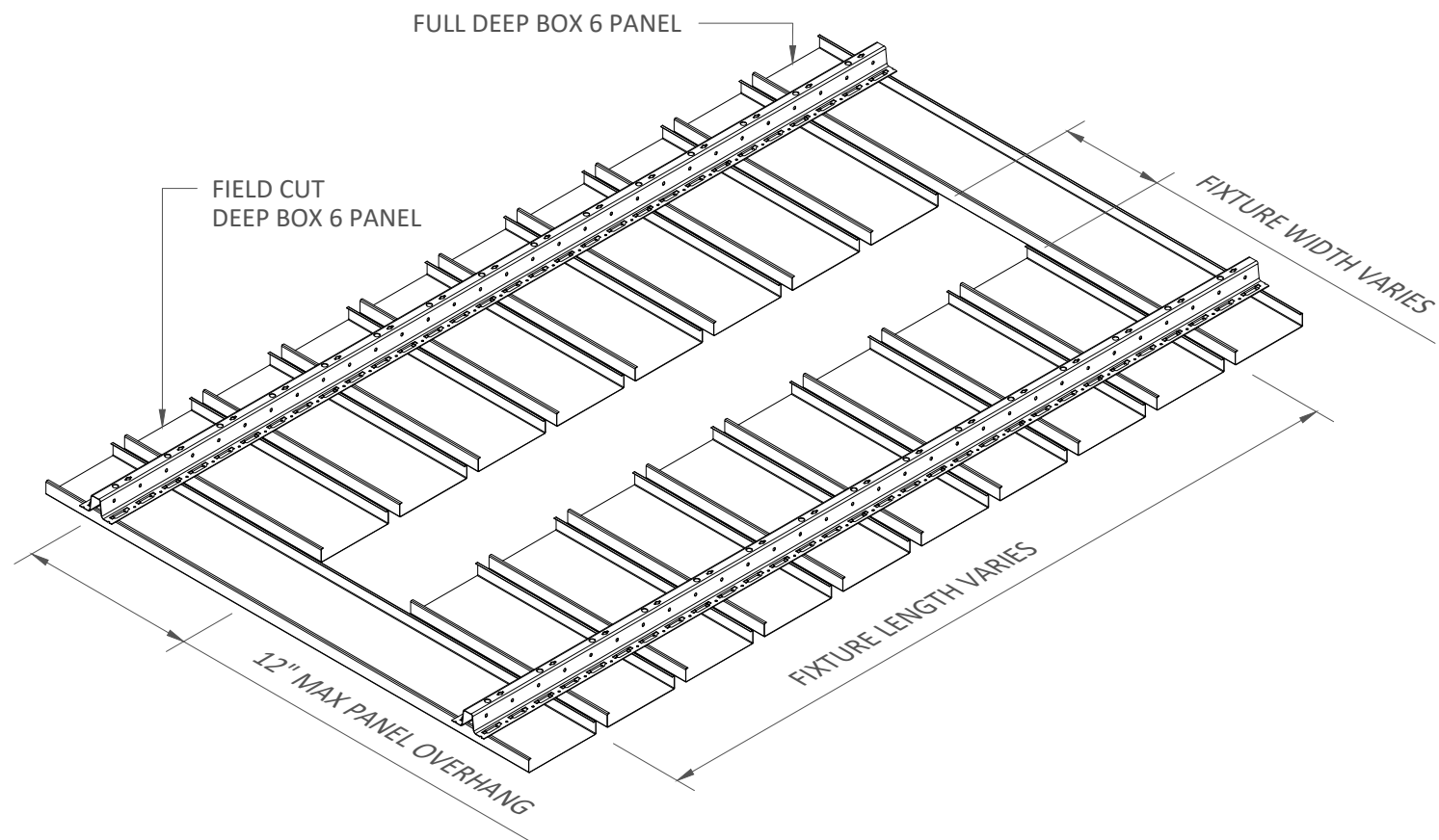
(unless noted otherwise)

MATERIAL: .020" | .025" | .032" | .040" ALUMINUM DEEP BOX 6 PANEL | .040"
ALUMINUM UNIVERSAL CARRIER
FINISH: PAINT | POWDER COAT | DECORATED WOOD FINISH | WOOD
VENEER | LUXACOTE
PERFORATION: NOT AVAILABLE

INTERRUPTED PANEL FOR TYPICAL FIXTURE

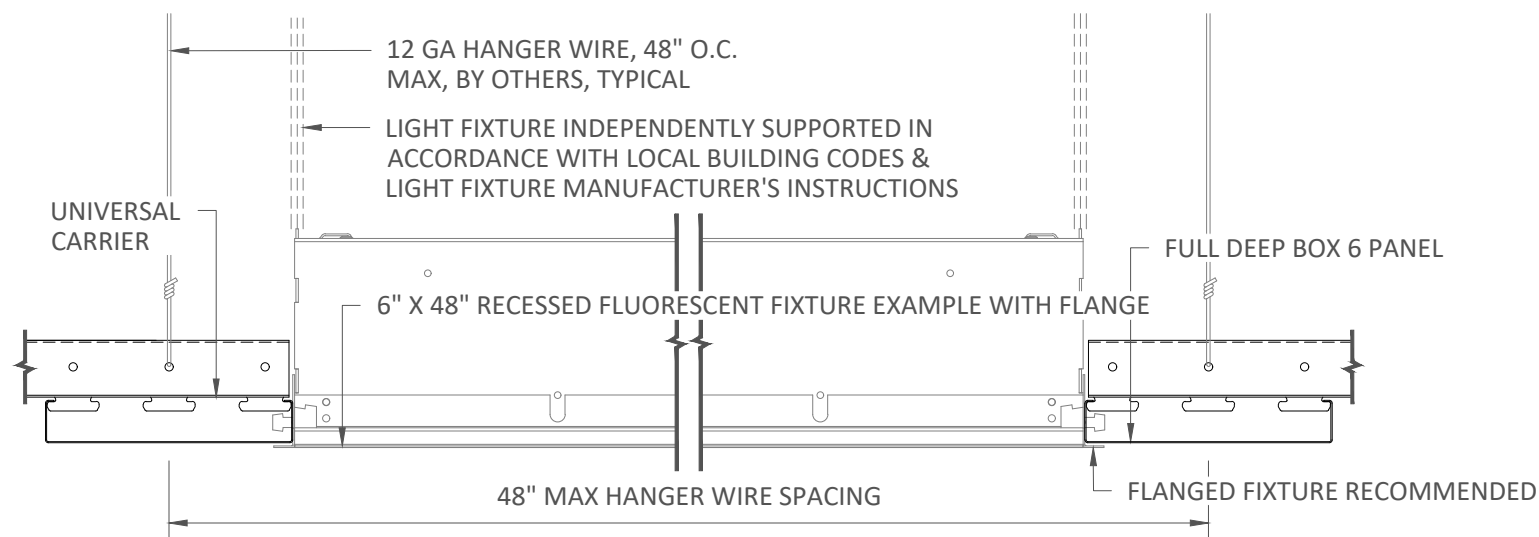
PROJECT: DEEP BOX 6 PRODUCT SPECIFICATIONS
DRAWING NUMBER: DBOX6-A1.8
SCALE: AS SHOWN
DRAWN BY: CTA ENGINEERING
DATE: 6/1/21

These drawings show typical conditions for installing the CertainTeed product shown. They should not be construed as a substitute for an architectural or engineering design and do not reflect the unique requirements of local codes, laws, statutes or regulations that may be applicable for a specific installation. CertainTeed assumes no liability for the accuracy or completeness of the drawings for a specific installation or the fitness of the drawings for a particular purpose. The user is advised to consult with local licensed design professionals in order to assure compliance with all legal requirements. CertainTeed is not licensed to provide professional engineering or architectural services.



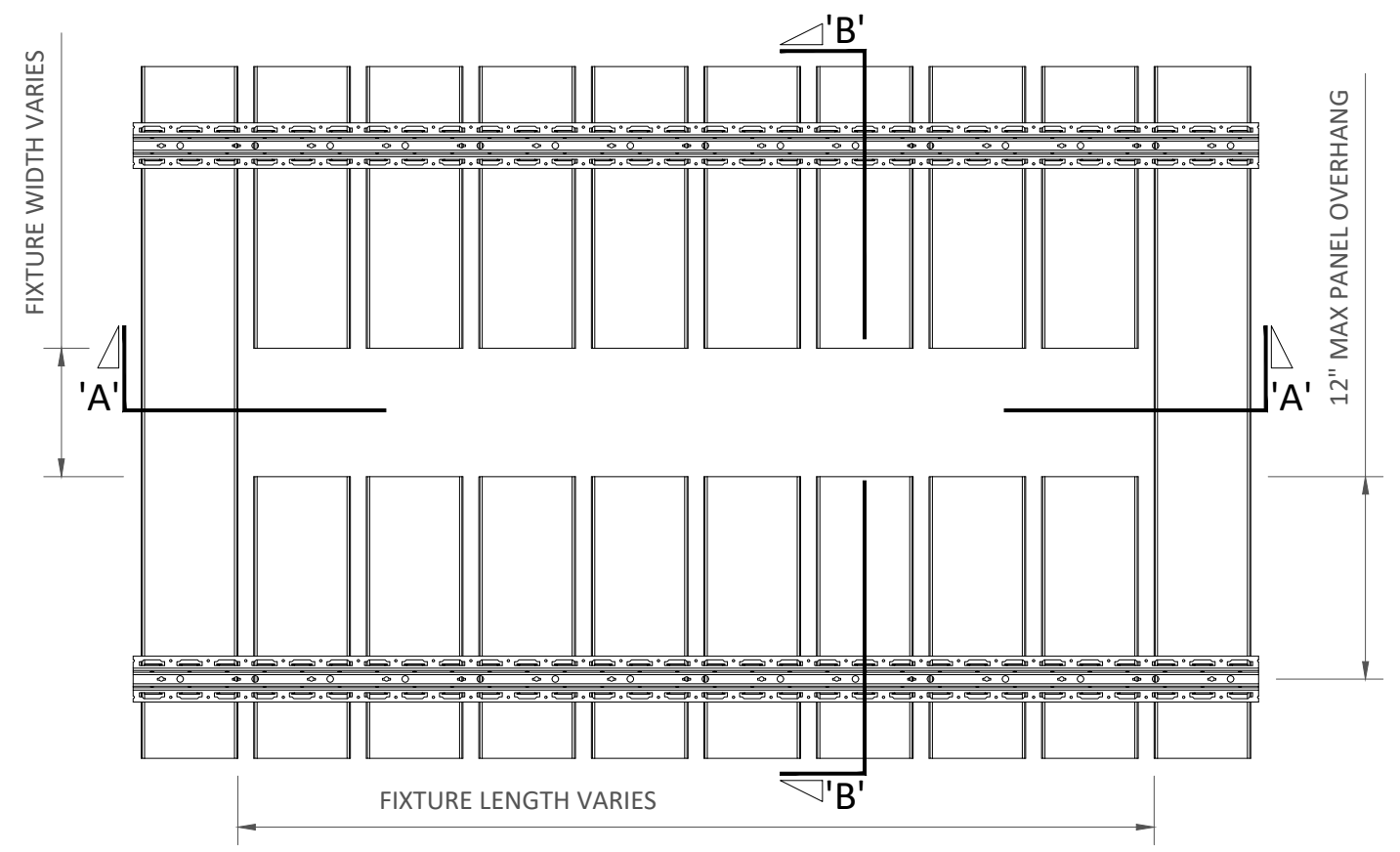
TYPICAL ISOMETRIC

SCALE: NOT TO SCALE



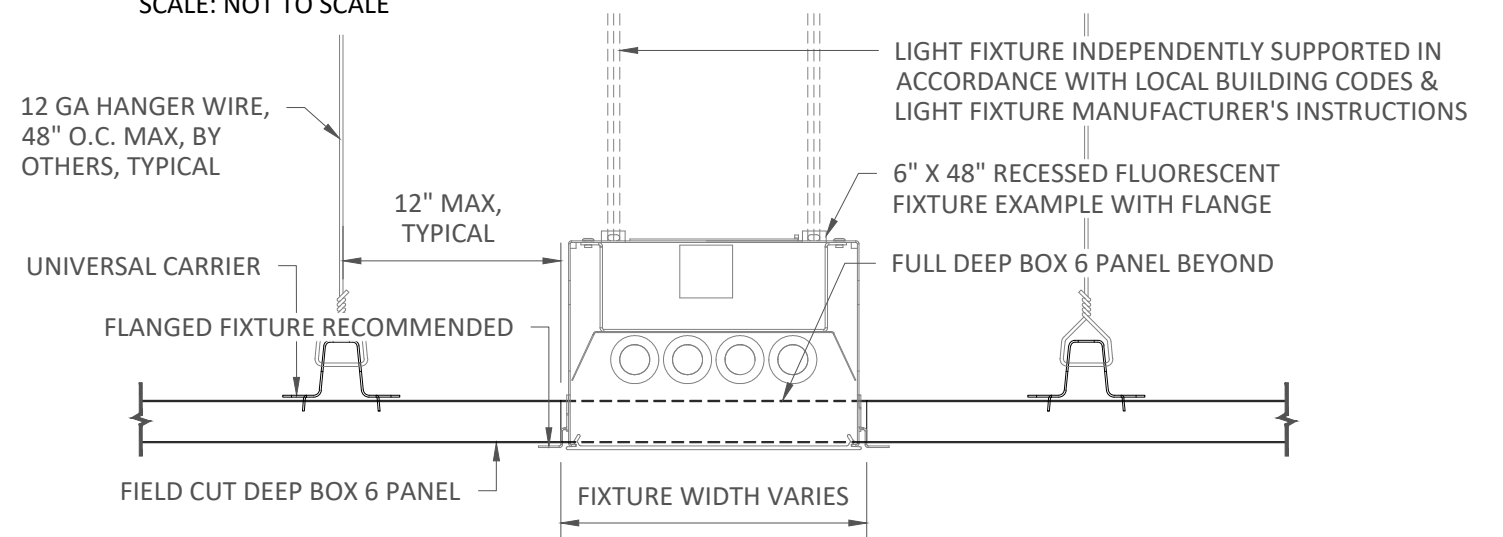
SECTION 'A'

SCALE: 3" = 1'-0"



TOP VIEW

SCALE: NOT TO SCALE



SECTION 'B'

SCALE: 3" = 1'-0"

NOTE: FIXTURE WITH TRIM FLANGE NOT BY CERTAINTEED



5015 Oakbrook Parkway, Suite 100
 Norcross, GA 30093
 O 800 366 4327
 F 770 806 0214
www.certainteed.com/architectural

SPECIFICATIONS

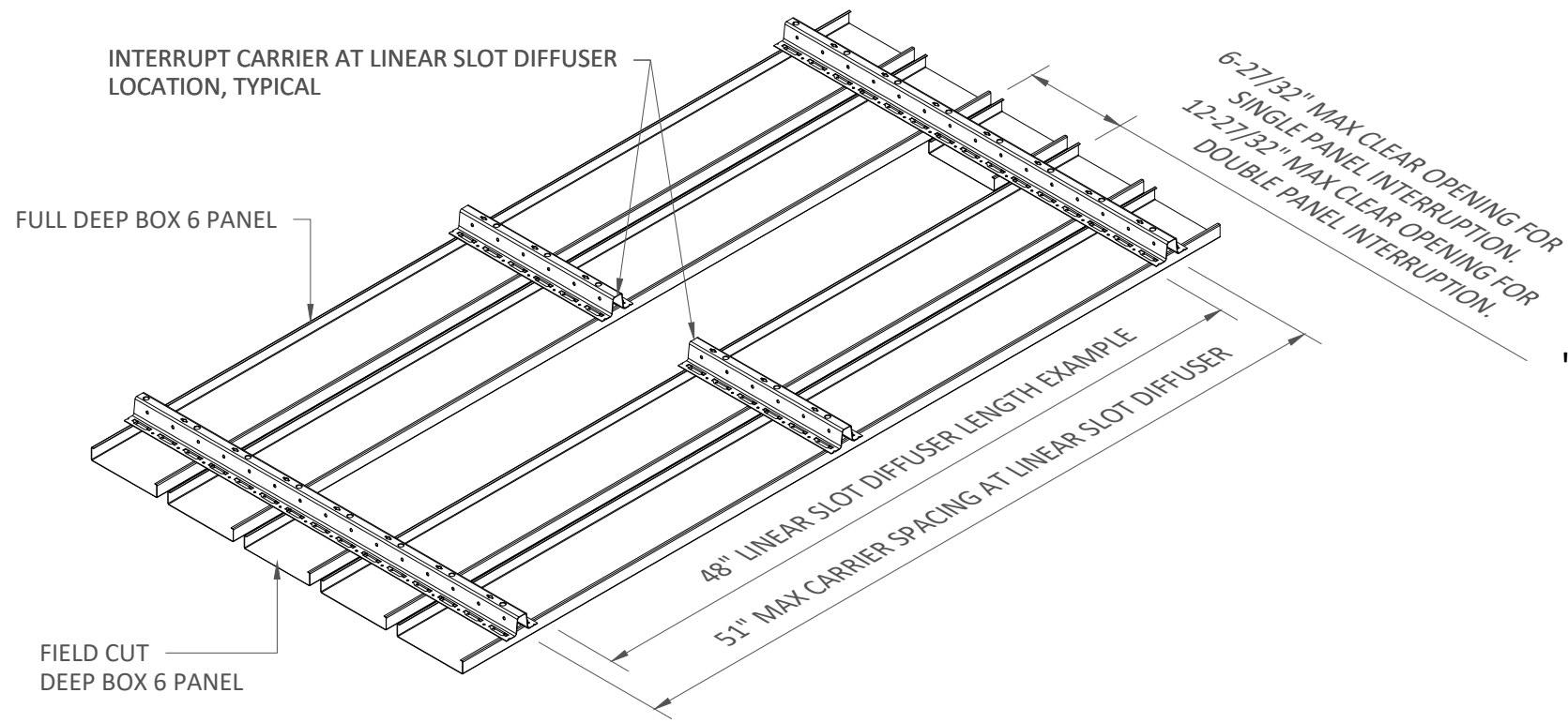
(unless noted otherwise)

MATERIAL: .020" | .025" | .032" | .040" ALUMINUM DEEP BOX 6 PANEL | .040" ALUMINUM UNIVERSAL CARRIER
 FINISH: PAINT | POWDER COAT | DECORATED WOOD FINISH | WOOD VENEER | LUXACOTE
 PERFORATION: NOT AVAILABLE

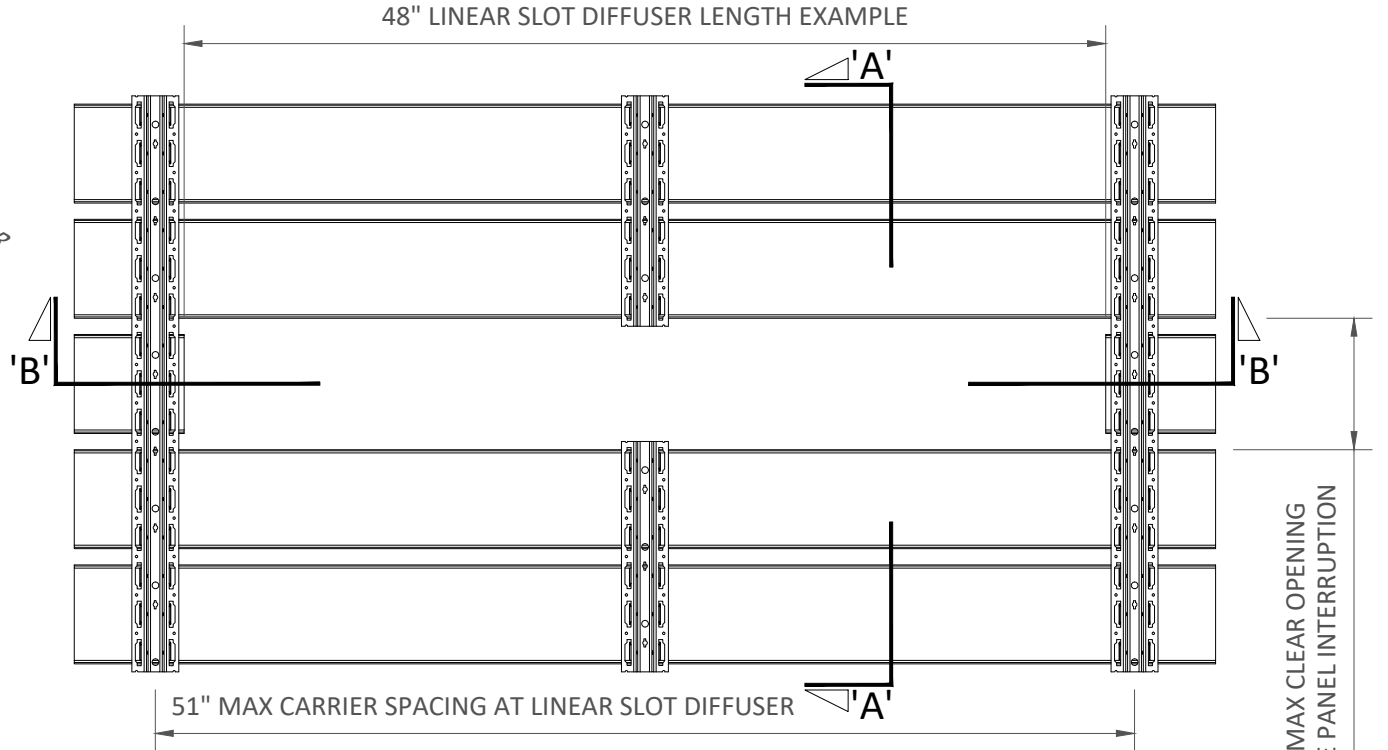
FIELD CUT PANEL FOR TYPICAL FIXTURE

PROJECT: DEEP BOX 6 PRODUCT SPECIFICATIONS
 DRAWING NUMBER: DBOX6-A1.9
 SCALE: AS SHOWN
 DRAWN BY: CTA ENGINEERING
 DATE: 6/1/21

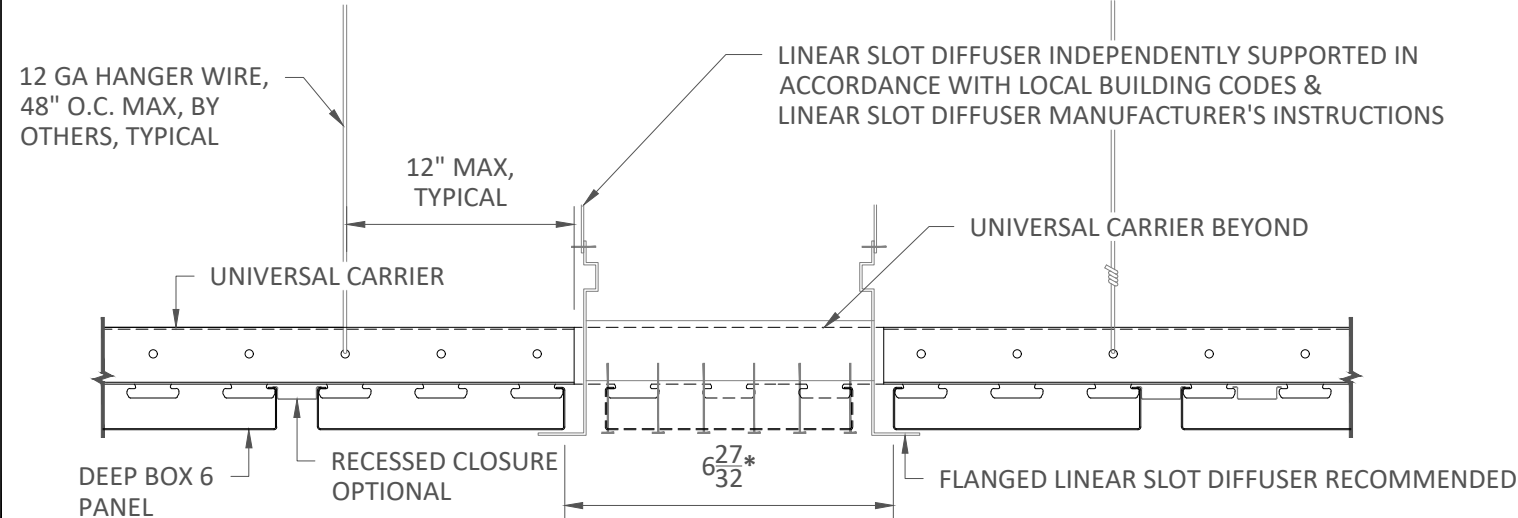
These drawings show typical conditions for installing the CertainTeed product shown. They should not be construed as a substitute for an architectural or engineering design and do not reflect the unique requirements of local codes, laws, statutes or regulations that may be applicable for a specific installation. CertainTeed assumes no liability for the accuracy or completeness of the drawings for a specific installation or the fitness of the drawings for a particular purpose. The user is advised to consult with local licensed design professionals in order to assure compliance with all legal requirements. CertainTeed is not licensed to provide professional engineering or architectural services.



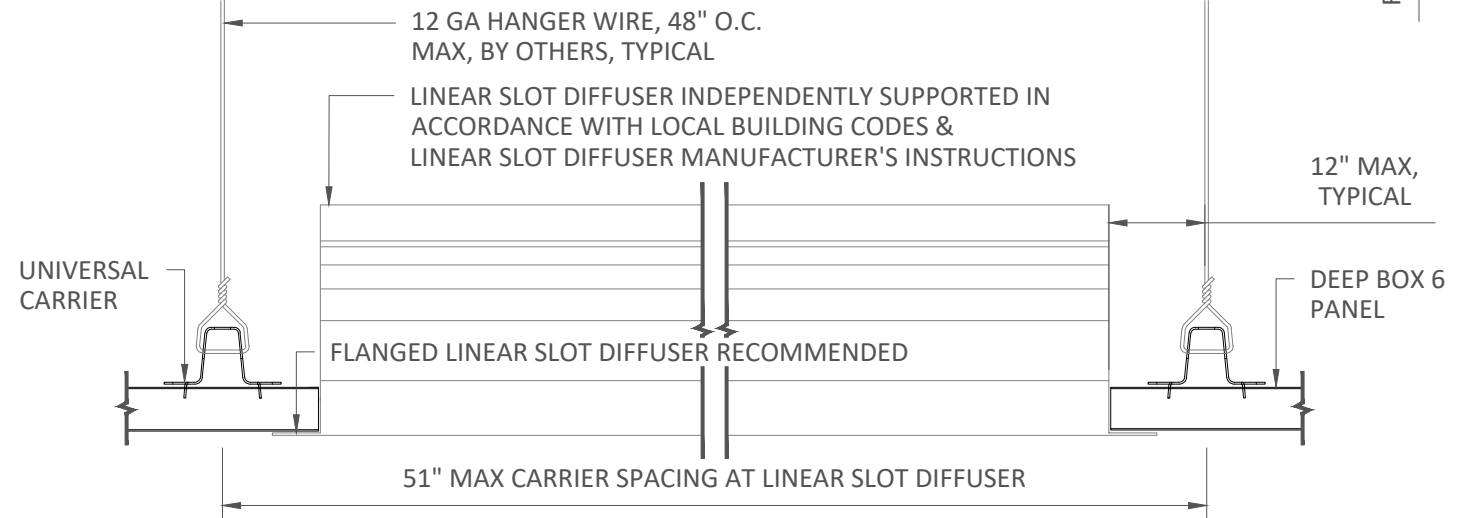
TYPICAL ISOMETRIC
SCALE: NOT TO SCALE



TOP VIEW
SCALE: NOT TO SCALE



SECTION 'A'
SCALE: 3" = 1'-0"
*6-27/32" MAX CLEAR OPENING, PANEL EDGE TO PANEL EDGE, FOR SINGLE PANEL INTERRUPTION.
12-27/32" MAX CLEAR OPENING, PANEL EDGE TO PANEL EDGE, FOR DOUBLE PANEL INTERRUPTION.



SECTION 'B'
SCALE: 3" = 1'-0"

NOTE: DIFFUSER WITH TRIM FLANGE NOT BY CERTAINTEED

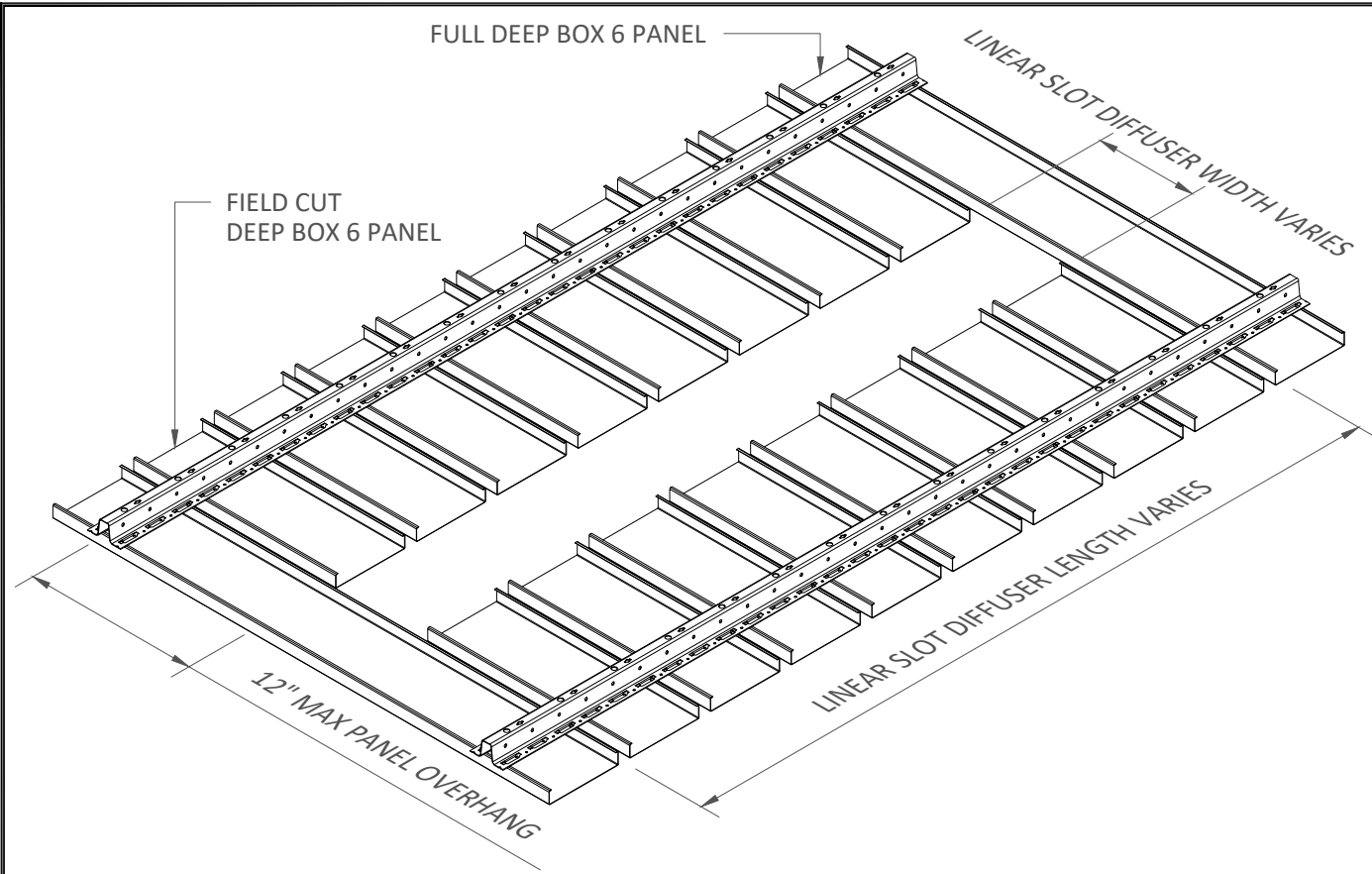


5015 Oakbrook Parkway, Suite 100
Norcross, GA 30093
O 800 366 4327
F 770 806 0214
www.certainteed.com/architectural

SPECIFICATIONS
(unless noted otherwise)
MATERIAL: .020" | .025" | .032" | .040" ALUMINUM DEEP BOX 6 PANEL | .040" ALUMINUM UNIVERSAL CARRIER
FINISH: PAINT | POWDER COAT | DECORATED WOOD FINISH | WOOD VENEER | LUXACOTE
PERFORATION: NOT AVAILABLE

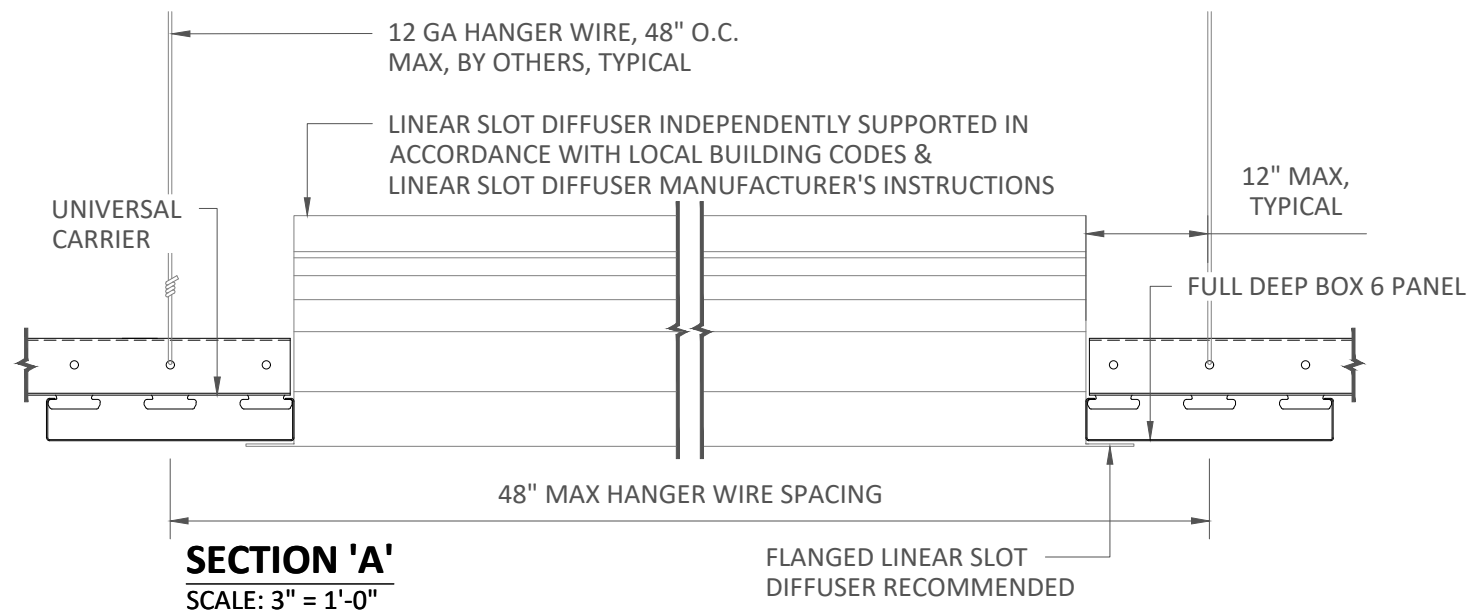
INTERRUPTED PANEL FOR TYPICAL DIFFUSER
PROJECT: DEEP BOX 6 PRODUCT SPECIFICATIONS
DRAWING NUMBER: DBOX6-A1.10
SCALE: AS SHOWN
DRAWN BY: CTA ENGINEERING
DATE: 6/1/21

These drawings show typical conditions for installing the CertainTeed product shown. They should not be construed as a substitute for an architectural or engineering design and do not reflect the unique requirements of local codes, laws, statutes or regulations that may be applicable for a specific installation. CertainTeed assumes no liability for the accuracy or completeness of the drawings for a specific installation or the fitness of the drawings for a particular purpose. The user is advised to consult with local licensed design professionals in order to assure compliance with all legal requirements. CertainTeed is not licensed to provide professional engineering or architectural services.

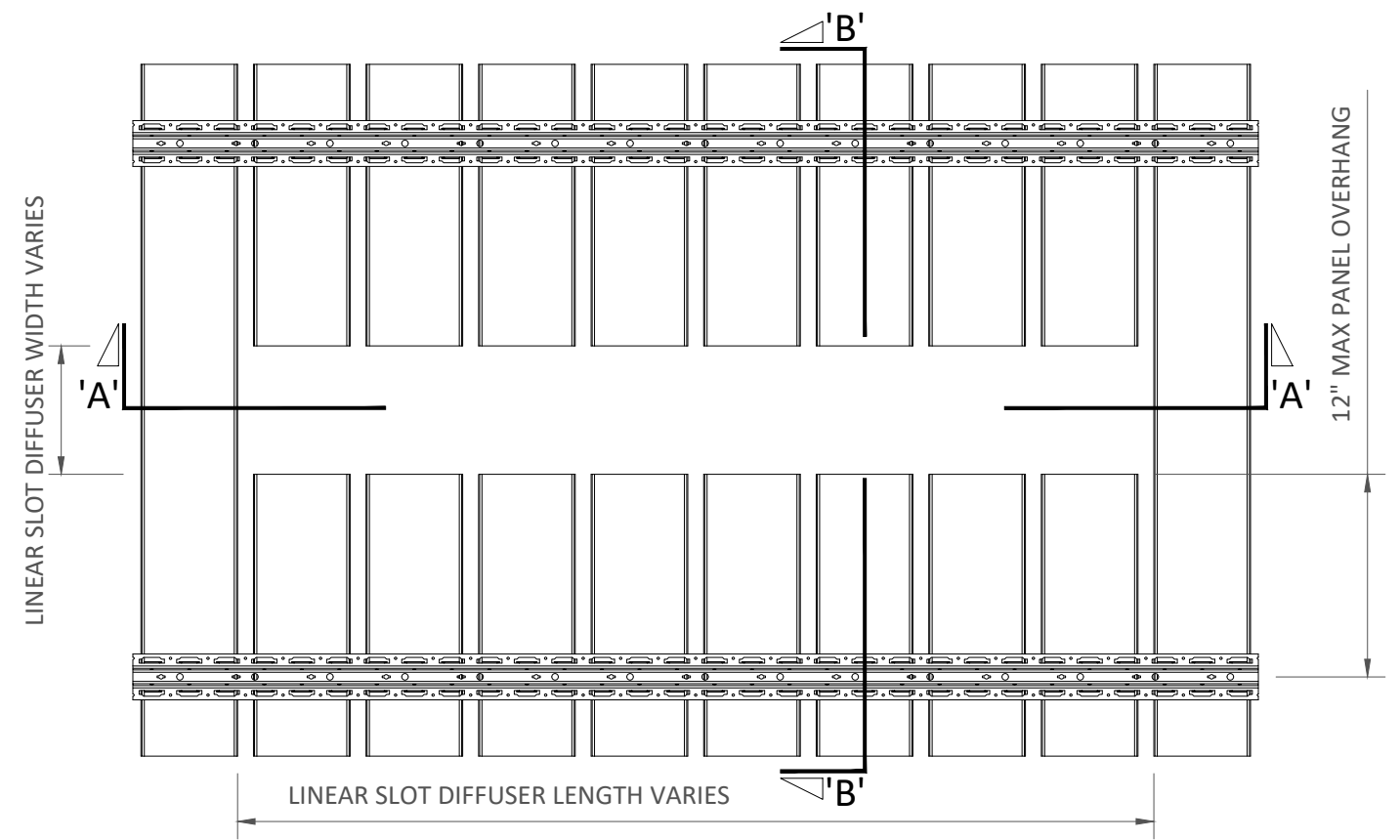


TYPICAL ISOMETRIC

SCALE: NOT TO SCALE

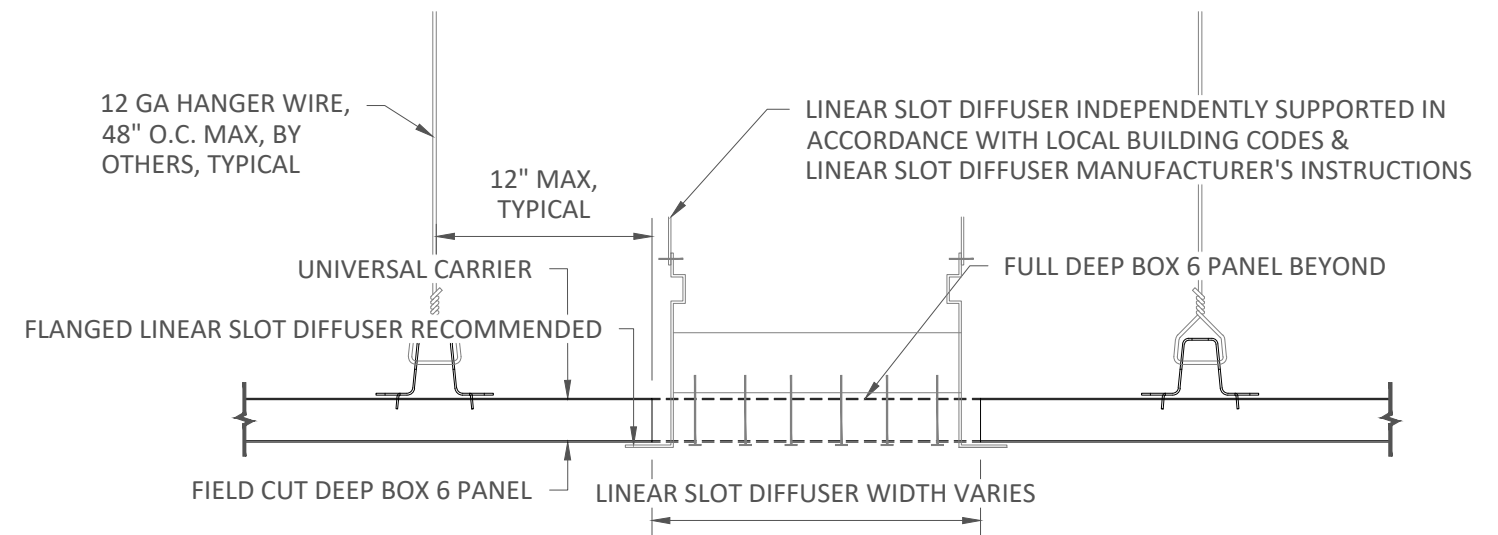


SECTION 'A'
SCALE: 3" = 1'-0"



TOP VIEW

SCALE: NOT TO SCALE



SECTION 'B'
SCALE: 3" = 1'-0"

NOTE: DIFFUSER WITH TRIM FLANGE NOT BY CERTAINTEED



5015 Oakbrook Parkway, Suite 100
Norcross, GA 30093
O 800 366 4327
F 770 806 0214
www.certainteed.com/architectural

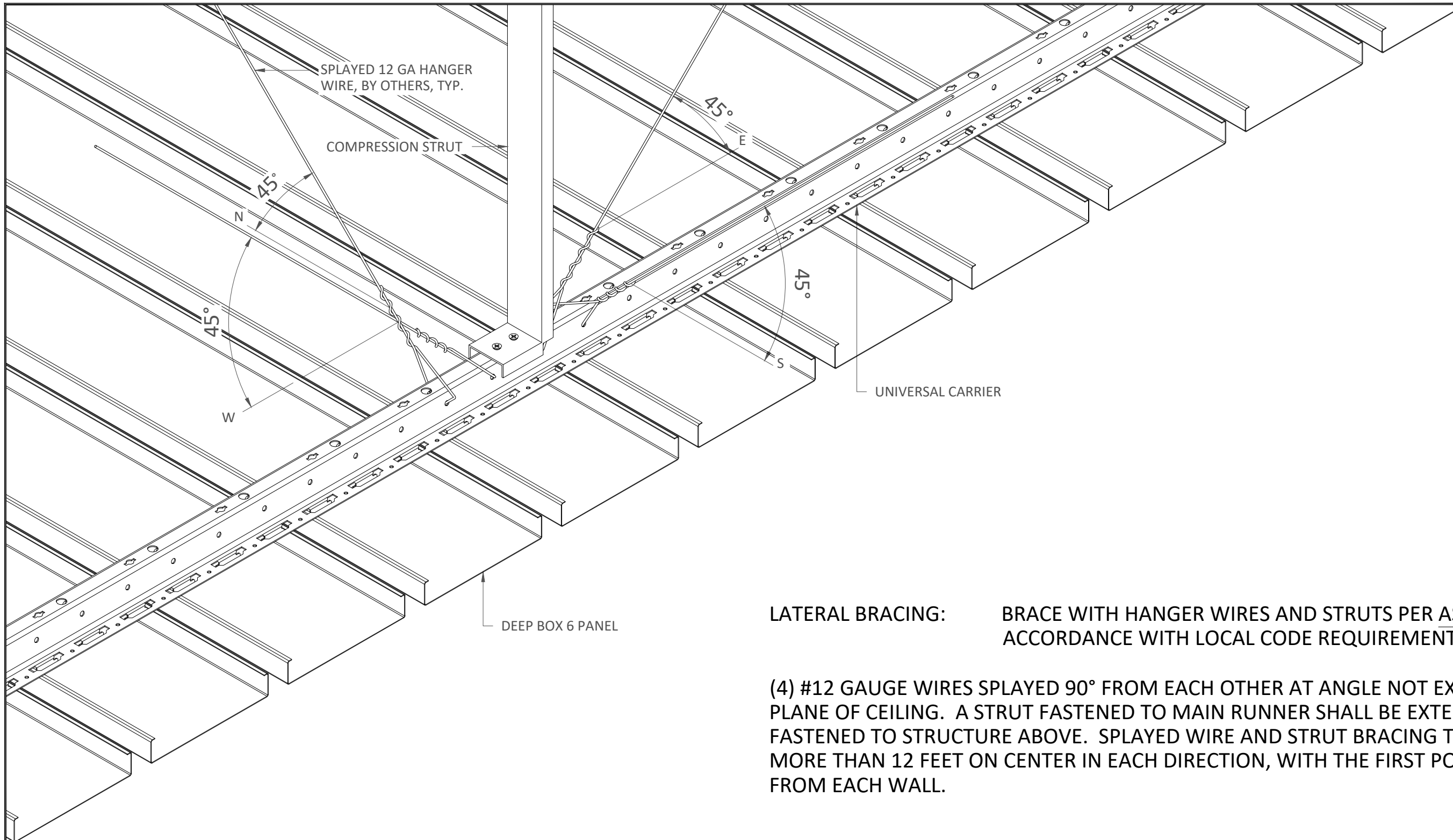
SPECIFICATIONS
(unless noted otherwise)

MATERIAL: .020" | .025" | .032" | .040" ALUMINUM DEEP BOX 6 PANEL | .040"
ALUMINUM UNIVERSAL CARRIER
FINISH: PAINT | POWDER COAT | DECORATED WOOD FINISH | WOOD
VENEER | LUXACOTE
PERFORATION: NOT AVAILABLE

FIELD CUT PANEL FOR TYPICAL DIFFUSER

PROJECT: DEEP BOX 6 PRODUCT SPECIFICATIONS
DRAWING NUMBER: DBOX6-A1.11
SCALE: AS SHOWN
DRAWN BY: CTA ENGINEERING
DATE: 6/1/21

These drawings show typical conditions for installing the CertainTeed product shown. They should not be construed as a substitute for an architectural or engineering design and do not reflect the unique requirements of local codes, laws, statutes or regulations that may be applicable for a specific installation. CertainTeed assumes no liability for the accuracy or completeness of the drawings for a specific installation or the fitness of the drawings for a particular purpose. The user is advised to consult with local licensed design professionals in order to assure compliance with all legal requirements. CertainTeed is not licensed to provide professional engineering or architectural services.



LATERAL BRACING: BRACE WITH HANGER WIRES AND STRUTS PER ASTM E-580 AND IN ACCORDANCE WITH LOCAL CODE REQUIREMENTS.

(4) #12 GAUGE WIRES SPLAYED 90° FROM EACH OTHER AT ANGLE NOT EXCEEDING 45° FROM PLANE OF CEILING. A STRUT FASTENED TO MAIN RUNNER SHALL BE EXTENDED TO AND FASTENED TO STRUCTURE ABOVE. SPLAYED WIRE AND STRUT BRACING TO BE PLACED NOT MORE THAN 12 FEET ON CENTER IN EACH DIRECTION, WITH THE FIRST POINT WITHIN 6 FEET FROM EACH WALL.

INTERIOR INSTALLATION



5015 Oakbrook Parkway, Suite 100
 Norcross, GA 30093
 O 800 366 4327
 F 770 806 0214
www.certainteed.com/architectural

SPECIFICATIONS

(unless noted otherwise)

MATERIAL: .020" | .025" | .032" | .040" ALUMINUM DEEP BOX 6 PANEL | .040" ALUMINUM UNIVERSAL CARRIER
 FINISH: PAINT | POWDER COAT | DECORATED WOOD FINISH | WOOD VENEER | LUXACOTE
 PERFORATION: NOT AVAILABLE

SEISMIC SPECIFICATIONS

PROJECT: DEEP BOX 6 PRODUCT SPECIFICATIONS
 DRAWING NUMBER: DBOX6-A1.12
 SCALE: AS SHOWN
 DRAWN BY: CTA ENGINEERING
 DATE: 6/1/21

These drawings show typical conditions for installing the CertainTeed product shown. They should not be construed as a substitute for an architectural or engineering design and do not reflect the unique requirements of local codes, laws, statutes or regulations that may be applicable for a specific installation. CertainTeed assumes no liability for the accuracy or completeness of the drawings for a specific installation or the fitness of the drawings for a particular purpose. The user is advised to consult with local licensed design professionals in order to assure compliance with all legal requirements. CertainTeed is not licensed to provide professional engineering or architectural services.