

NOTE: This detail is intended to illustrate outside corner cuts and application. See appropriate parapet wall detail for Base Flashing application instructions.

Base & Cap Field Corner Cuts

In order to allow a flat fit into the corner, make a cut from the bottom point of the cant strip out through the top edge of the roll; the cut will be parallel to the length of the roll. Repeat with a second cut from the top point of the cant strip.

Base Sheet Base Flashing Corner Cuts

Base Sheet Base Flashing folds over the outer edge of the wall, top inner corner of the wall, and bottom inner corner of the wall onto the field. Several cuts are necessary to allow for a flat fit. Cut the membrane to the required length: The total length of the sheet equals 2 (2" turn over) + width of top of wall + wall height + length of cant strip surface + 4 (4" into the field).

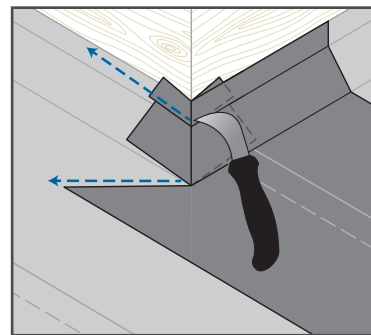
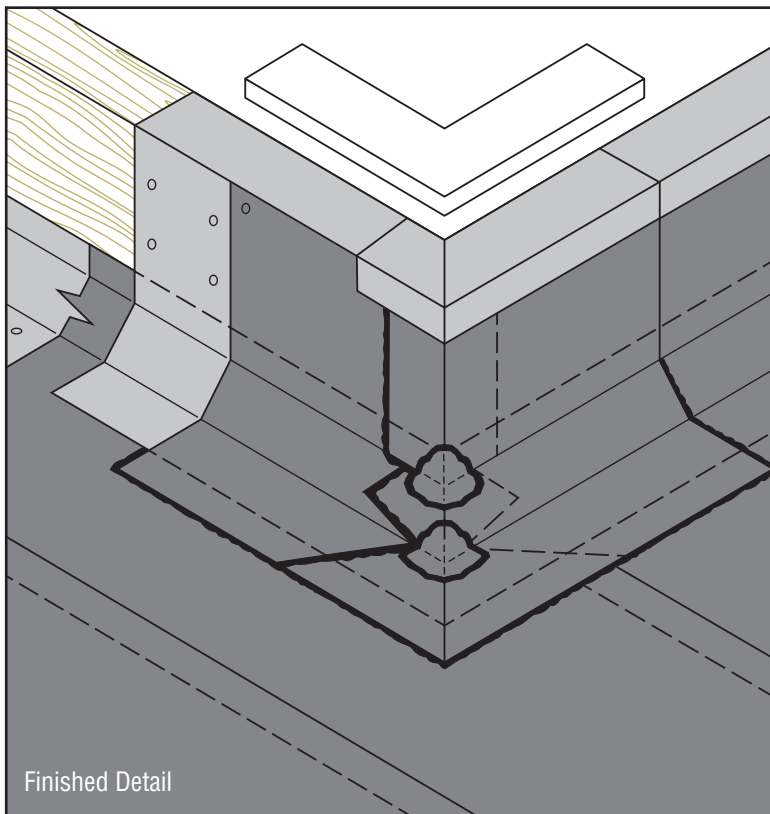
- Lay sheet with selvage edge perpendicular to the parapet wall so 2" of the roll extends beyond the top

outer edge of the wall. First, make a 45° cut from the top outer corner of the wall through the outer corner of the roll. This will allow you to turn the roll down over the top edges of the wall.

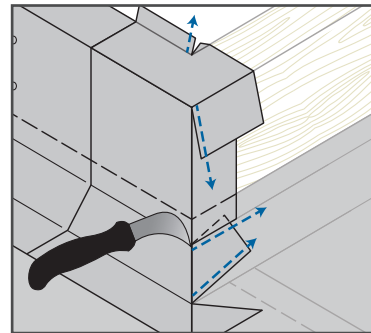
- Second, make a cut from the inner top corner of the wall through the side edge of the roll; cut perpendicular to the roll's length. The roll will drop down and lay flat against the wall surface.
- Third, make a cut from the top point of the cant strip on a 45° angle upwards through the side edge of the roll.
- Fourth, cut from the bottom point of the cant strip. These two cuts will allow the roll to conform to the wall and cant and extend into the field.

Cap Sheet Base Flashing Corner Cuts

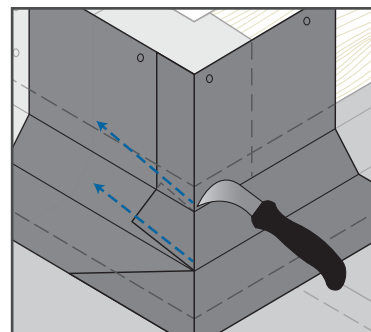
Repeat the third and fourth cuts from Base Sheet Base Flashing to allow the roll to conform to the wall and cant and extend into the field.



Field Membrane,
Corner Cuts



Base Sheet
Base Flashing,
Corner Cuts



Cap Sheet
Base Flashing,
Corner Cuts

NOT DRAWN TO SCALE