

**Release Tape - Horizontal Seam  
(as determined to be needed or beneficial)**

On horizontal seams with potential for large movement, affix a minimum 2" wide release tape, such as painter's tape. This tape will not permanently adhere but rather will serve to allow movement while deflecting some strain from the subsequent layer of 3-course reinforced mastic.

**Reinforced Mastic (3-Course) - Horizontal Seam**

When included, apply atop the Release Tape and extending a minimum 2" on either side, apply SMARTCOAT 300/350 Mastic with a brush, trowel or gloved hand at a maximum thickness of 1/8" for 300 Acrylic Mastic and 1/4" for 350 Silicone Mastic. Immediately embed SMARTFAB 500 Polyester Reinforcement, minimum 4" width when no release tape is utilized; minimum 6" width and sufficient to ensure a minimum 2" on either side of the tape when present, into wet mastic followed by a second coat of

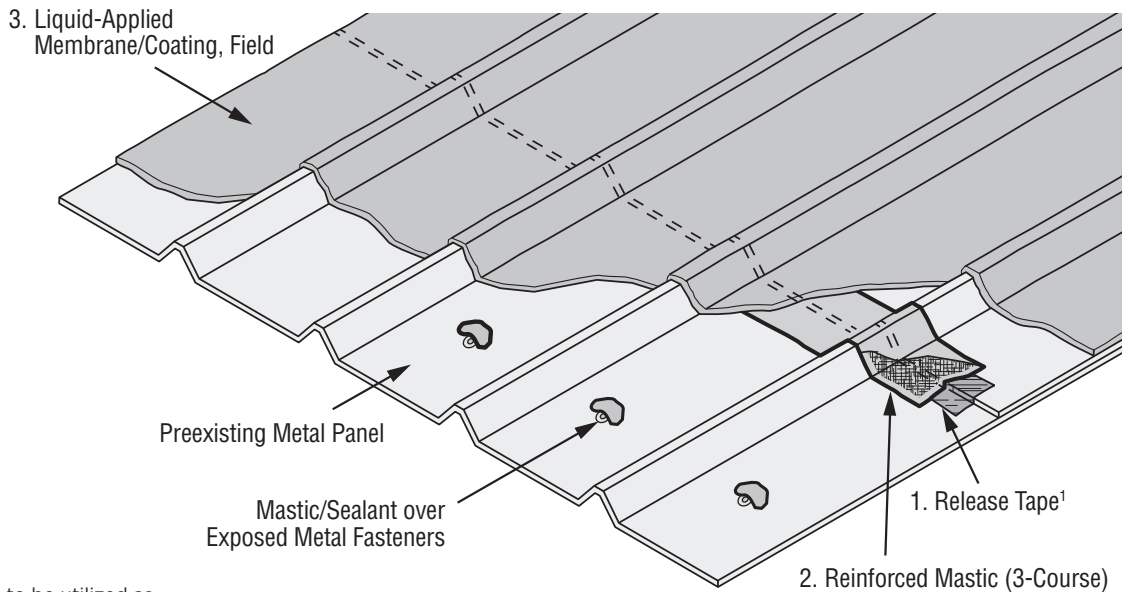
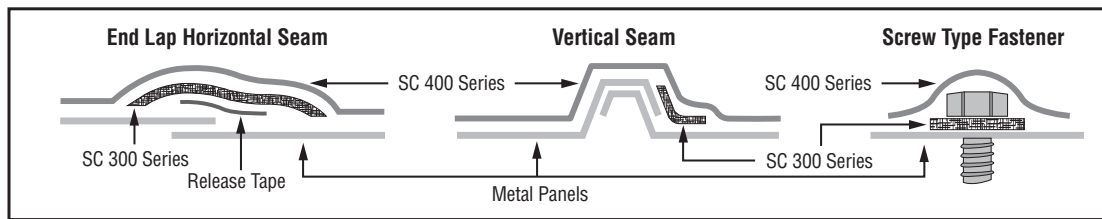
mastic at prescribed thickness to encapsulate edges and surface of polyester. Ensure the polyester is evenly covered and the edges of the detail are properly feathered.

**Mastic/Sealant - Fasteners**

Remove and replace damaged fasteners, seal all exposed metal fasteners with SMARTCOAT 300 Series Mastic by brush, trowel or gloved hand or gun SMARTCOAT 370 UltraSeal.

**Liquid-Applied Coating/Membrane, Field**

Once mastic is cured, apply coating in accordance with specified SMARTCOAT application. Multiple coats will be required to achieve specified mil thickness on roofs with greater than 3:12 slope or on vertical surfaces; it is not recommended to apply more than 1G per 100 sq. ft. in a single coat to avoid material sagging.



<sup>1</sup>Release Tape to be utilized as determined to be needed or beneficial

NOT DRAWN TO SCALE

NOTE: Never repair or coat-over silicone-based mastic or coating with anything other than a compatible silicone-based product; acrylic materials will not bond to silicone.

NOTE: When portions of the detail have undergone previous repairs and if the repairs have been made with compatible materials and are sound, repair can be left in place and reinforced mastic (3-course) applied atop; if the repair was made with incompatible materials, is failing or has potential for high movement, remove these materials and proceed with reinforced mastic (3-course/5-course as appropriate).

For additional questions or support contact CertainTeed Commercial Roofing Technical Services Department 1-800-396-8134 x2 or rpg@saint-gobain.com