

NOTE: This detail assumes a preexisting roof membrane and base flashing and wall covering are left in place.

Mastic or Reinforced Mastic (3-Course)

Tight, well-bonded seams: Apply SMARTCOAT 300 Series Mastic with a brush, trowel or gloved hand at a maximum thickness of 1/8" for 300/301 Acrylic Mastic and 1/4" for 350/365 Silicone Mastic. Seams with visual strain, open or weak bonds, previous repairs or potential for large movement/vibration: After mastic is applied immediately embed SMARTFAB 500 Polyester Reinforcement, minimum 6" width, into wet mastic followed by a second coat of mastic at prescribed thickness to encapsulate polyester.

Liquid-Applied Membrane, Base Flashing/Wall Covering

Once mastic is cured, apply coating in accordance with specified SMARTCOAT application. As possible, extend coating up beneath metal coping to protect the preexisting

membrane; be cautious to avoid sealing the bottom edge of the metal to the membrane.

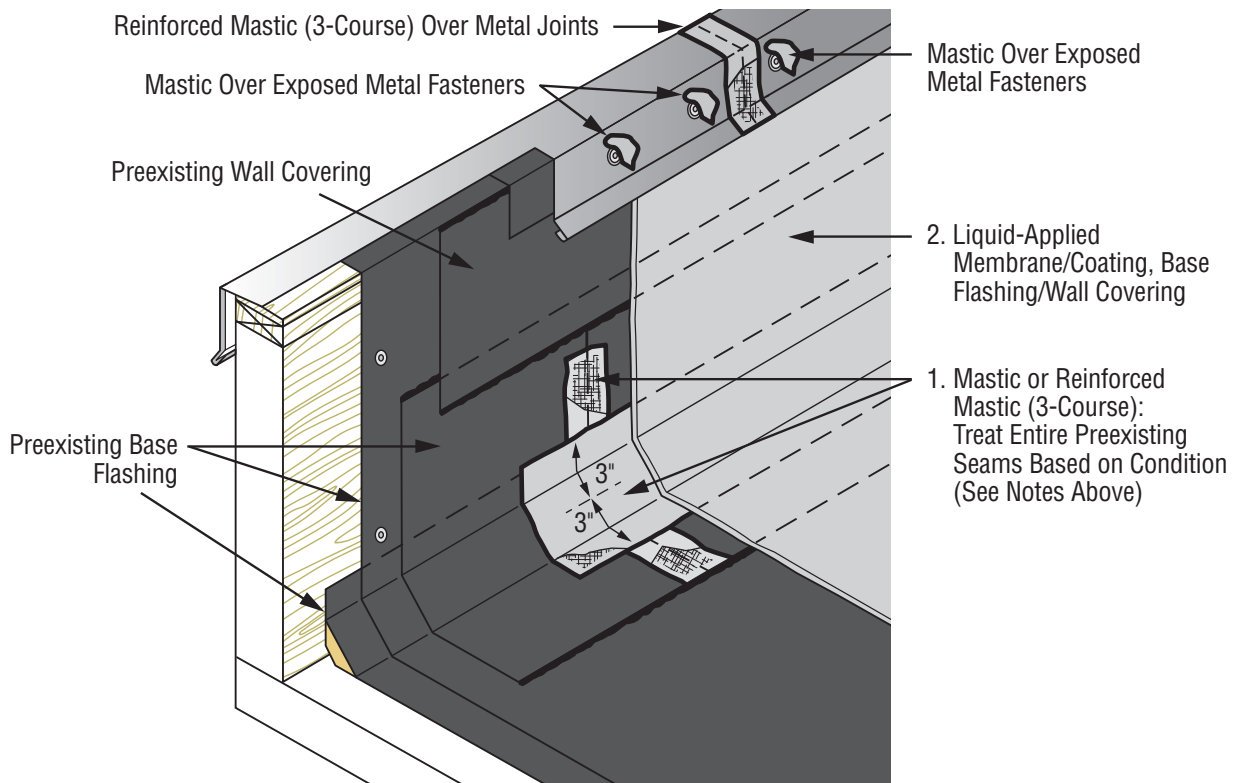
Multiple coats will be required to achieve specified mil thickness on vertical surfaces; it is not recommended to apply more than 1G per 100 sq. ft. in a single coat to avoid material sagging.

Mastic/Sealant

Remove and replace damaged fasteners, seal all exposed metal fasteners with SMARTCOAT 300 Series Mastic or Sealant.

Reinforced Mastic (3-Course) Corners/Metal Joints

Reinforce SMARTCOAT 300 Series Mastics, applied with a brush, trowel or gloved hand at a maximum thickness of 1/8" for 300 Acrylic Mastic and 1/4" for 350 Silicone Mastic, with SMARTFAB 500 Reinforcement, at all corners and metal joints.



NOT DRAWN TO SCALE

NOTE: Never repair or coat-over silicone-based mastic or coating with anything other than a compatible silicone-based product; acrylic materials will not bond to silicone.

NOTE: When portions of the detail have undergone previous repairs and if the repairs have been made with compatible materials and are sound, repair can be left in place and reinforced mastic (3-course) applied atop; if the repair was made with incompatible materials, is failing or has potential for high movement, remove these materials and proceed with reinforced mastic (3-course/5-course as appropriate).