

5015 Oakbrook Parkway, Suite 100  
 Norcross, GA 30093  
 O 800 366 4327  
 F 770 806 0214  
[www.certainteed.com/architectural](http://www.certainteed.com/architectural)

**SPECIFICATIONS**  
 (unless noted otherwise)

MATERIAL: .020" | .025" | .032" | .040" ALUMINUM BOX 6 PANEL | .040"  
 ALUMINUM UNIVERSAL CARRIER

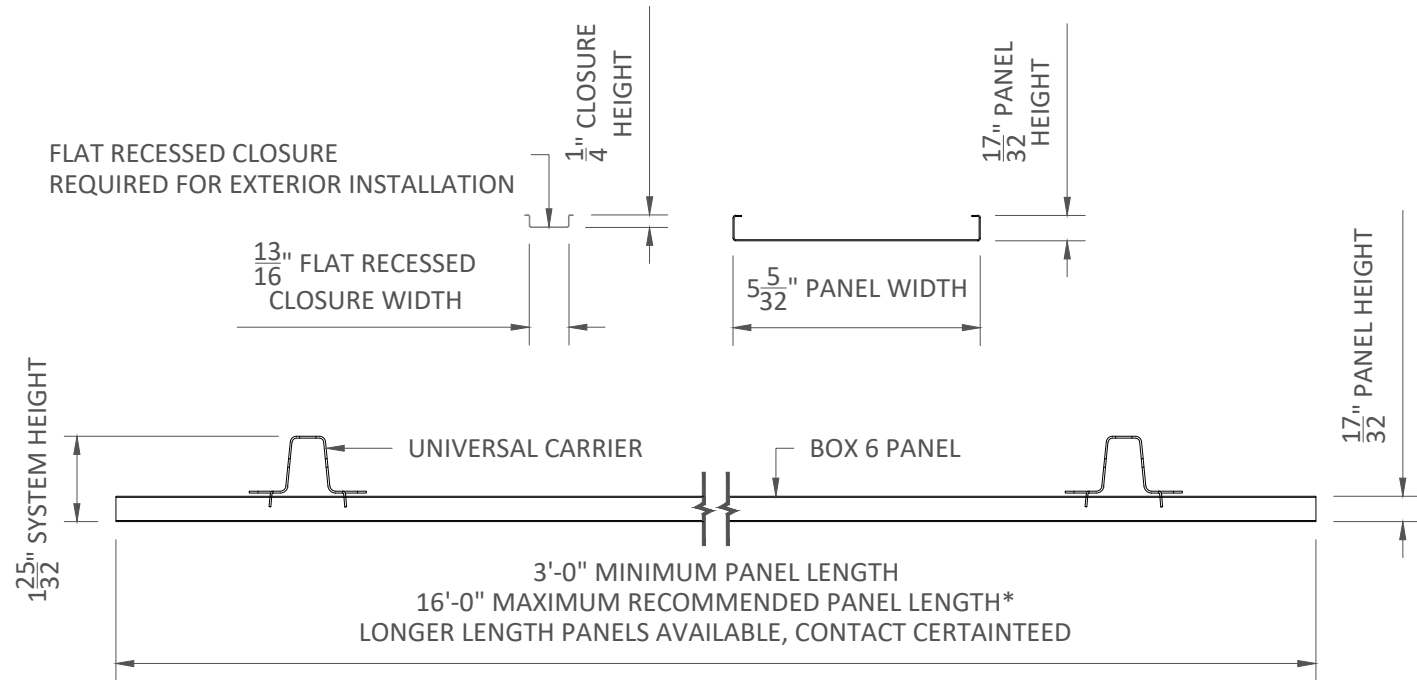
FINISH: PAINT | POWDER COAT | DECORATED WOOD FINISH | LUXACOTE

PERFORATION: NON-PERFORATED | #160

**OVERALL ISOMETRIC VIEW**

PROJECT: EXTERIOR BOX 6 PRODUCT SPECIFICATIONS  
 DRAWING NUMBER: EXT-BOX6-B1.0  
 SCALE: AS SHOWN  
 DRAWN BY: CTA ENGINEERING  
 DATE: 6/1/21

These drawings show typical conditions for installing the CertainTeed product shown. They should not be construed as a substitute for an architectural or engineering design and do not reflect the unique requirements of local codes, laws, statutes or regulations that may be applicable for a specific installation. CertainTeed assumes no liability for the accuracy or completeness of the drawings for a specific installation or the fitness of the drawings for a particular purpose. The user is advised to consult with local licensed design professionals in order to assure compliance with all legal requirements. CertainTeed is not licensed to provide professional engineering or architectural services.



**FACTORY END & SIDE PANEL VIEW**

SCALE: 3" = 1'-0"

\*PANEL LENGTHS AVAILABLE IN ± 1/8" TOLERANCE,  
MINIMUM QUANTITIES MAY APPLY

**MATERIAL THICKNESS**

BOX 6: .020", .025", .032", .040" ALUMINUM

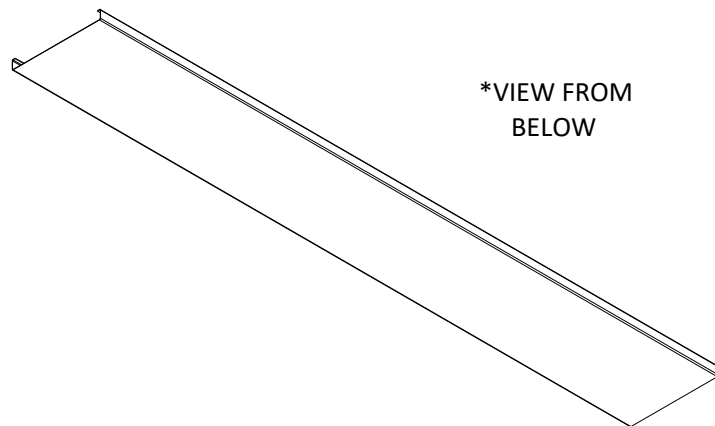
**PANEL FINISHES**

PAINTED & POWDER COATED - INTERIOR & EXTERIOR

LUXACOTE - INTERIOR & EXTERIOR

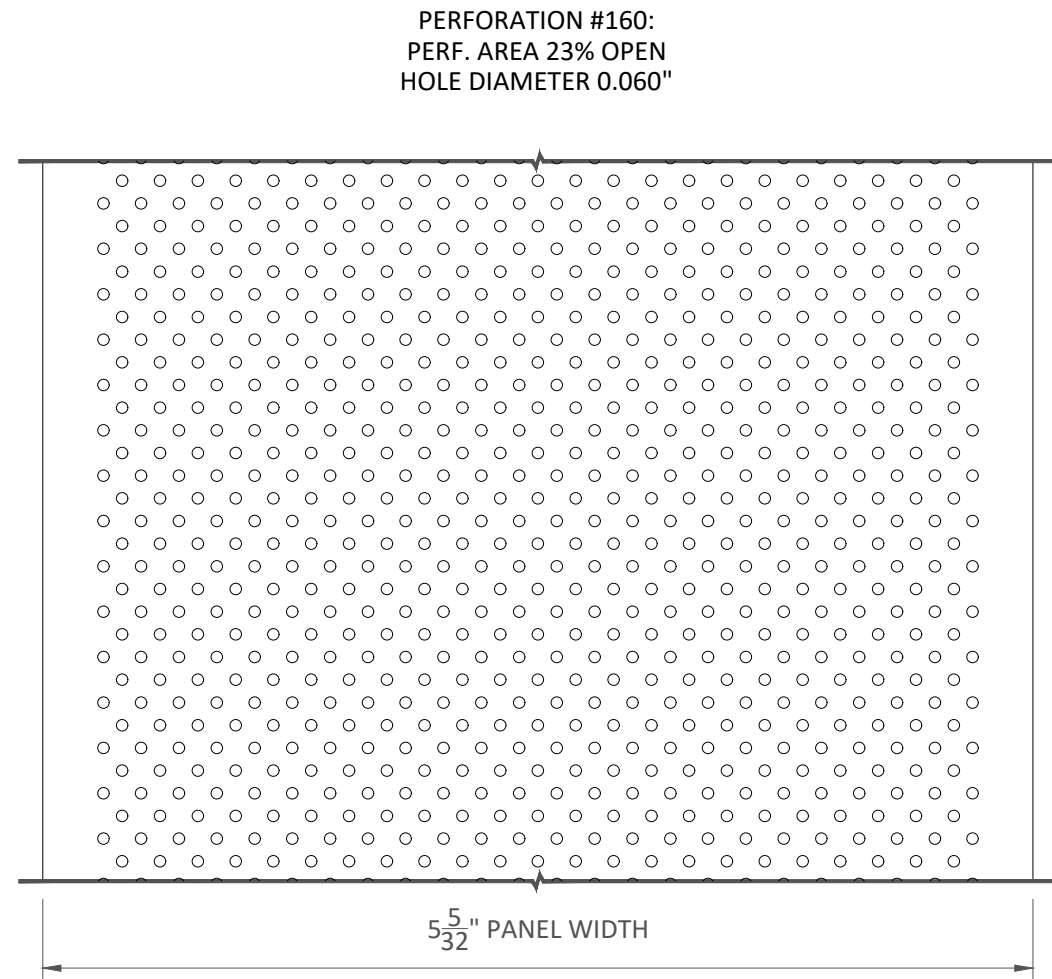
DECORATED WOOD FINISH (POWDER COATED) - INTERIOR & EXTERIOR

\*VIEW FROM  
BELOW



**PANEL MATERIALS & FINISHES**

SCALE: NOT TO SCALE



**AVAILABLE PERFORATIONS**

SCALE: FULL (1:1)

ARCHITECTURAL

**CertainTeed**  
SAINT-GOBAIN

5015 Oakbrook Parkway, Suite 100  
Norcross, GA 30093  
O 800 366 4327  
F 770 806 0214  
[www.certainteed.com/architectural](http://www.certainteed.com/architectural)

**SPECIFICATIONS**

(unless noted otherwise)

MATERIAL: .020" | .025" | .032" | .040" ALUMINUM BOX 6 PANEL | .040"

ALUMINUM UNIVERSAL CARRIER

FINISH: PAINT | POWDER COAT | DECORATED WOOD FINISH | LUXACOTE

PERFORATION: NON-PERFORATED | #160

**PANEL SPECIFICATIONS**

PROJECT: EXTERIOR BOX 6 PRODUCT SPECIFICATIONS

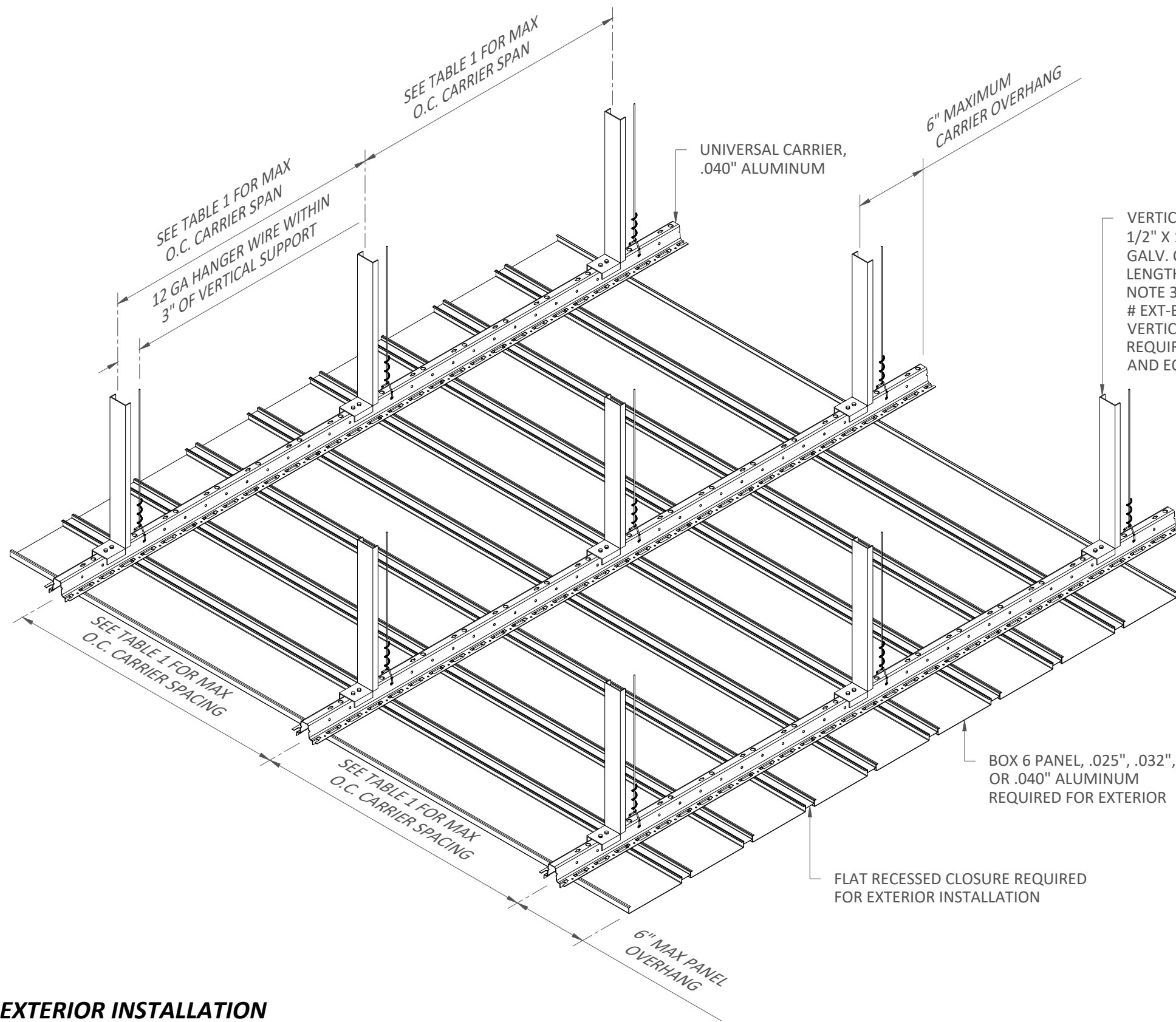
DRAWING NUMBER: EXT-BOX6-B1.1

SCALE: AS SHOWN

DRAWN BY: CTA ENGINEERING

DATE: 6/1/21

These drawings show typical conditions for installing the CertainTeed product shown. They should not be construed as a substitute for an architectural or engineering design and do not reflect the unique requirements of local codes, laws, statutes or regulations that may be applicable for a specific installation. CertainTeed assumes no liability for the accuracy or completeness of the drawings for a specific installation or the fitness of the drawings for a particular purpose. The user is advised to consult with local licensed design professionals in order to assure compliance with all legal requirements. CertainTeed is not licensed to provide professional engineering or architectural services.



**NOTE A:**

CARRIER SPACING (PANEL SPAN) AND CARRIER SPAN (HANGER WIRE & VERTICAL SUPPORT SPACING) VARIES DEPENDING ON DESIGN WIND PRESSURE (POUNDS PER SQUARE FOOT). AS A GENERAL GUIDE, REFER TO THE DETAIL AND WIND LOAD TABLE 1 BELOW FOR CARRIER SPACING AND CARRIER SPAN. THE WIND LOAD CRITERIA IS BASED ON USING 3 OR MORE ROWS OF CARRIER. MAXIMUM PANEL OVERHANG = 6". MAXIMUM CARRIER OVERHANG = 6".

HANGER WIRE (12 GA MIN.) MUST BE LOCATED AT EACH VERTICAL SUPPORT STRUT. VERTICAL SUPPORT STRUT MUST NOT EXCEED SPACING SHOWN FOR A GIVEN DESIGN WIND PRESSURE. SEE DRAWING # EXT-BOX6-B1.3 FOR VERTICAL SUPPORT SPECIFICATION. HANGER WIRE AND VERTICAL SUPPORT STRUT MUST BE ATTACHED TO STRUCTURE ABOVE TO SAFELY SUPPORT ALL LOADS IMPOSED BY SOFFIT SYSTEM. ATTACHMENT TO STRUCTURE DESIGNED AND PROVIDED BY OTHERS, NOT BY CERTAINTED.

**NOTE B:**

ALL PENETRATIONS IN CEILING TO BE FIELD LOCATED AND FIELD CUT. TRIM FOR THESE ITEMS NOT BY CERTAINTED.

**NOTE C:**

ATTACHMENT TO STRUCTURE DESIGNED AND PROVIDED BY OTHERS, NOT BY CERTAINTED.

**TABLE 1 - DESIGN WIND LOAD - LINEAR BOX EXTERIOR CEILING SYSTEM**

PANEL TYPE: .025", .032", OR .040" ALUMINUM, BOX 6 PANEL  
 CARRIER TYPE: .040" ALUMINUM, UNIVERSAL CARRIER

ALLOWABLE CARRIER SPACING (PANEL SPAN)  
 ALLOWABLE CARRIER SUPPORT SPACING (HANGER WIRE/VERTICAL SUPPORT SPACING)

\* NOTE: CARRIER SPACING BASED ON USING 3 OR MORE CARRIERS

\*\* POUNDS PER SQUARE FOOT

DESIGN WIND PRESSURE (POSITIVE OR NEGATIVE PSF**)	CARRIER SPACING * (PANEL SPAN)	CARRIER SPAN (VERTICAL SUPPORT SPACING)
20	2'-8"	2'-2"
25	2'-5"	2'-1"
30	2'-2"	1'-11"
35	2'-0"	1'-10"
40	1'-11"	1'-9"
45	1'-10"	1'-9"

**EXTERIOR INSTALLATION**



5015 Oakbrook Parkway, Suite 100  
 Norcross, GA 30093  
 O 800 366 4327  
 F 770 806 0214  
[www.certainteed.com/architectural](http://www.certainteed.com/architectural)

**SPECIFICATIONS**

(unless noted otherwise)

MATERIAL: .020" | .025" | .032" | .040" ALUMINUM BOX 6 PANEL | .040"

ALUMINUM UNIVERSAL CARRIER

FINISH: PAINT | POWDER COAT | DECORATED WOOD FINISH | LUXACOTE

PERFORATION: NON-PERFORATED | #160

**EXTERIOR SUSPENSION SPECIFICATIONS**

PROJECT: EXTERIOR BOX 6 PRODUCT SPECIFICATIONS

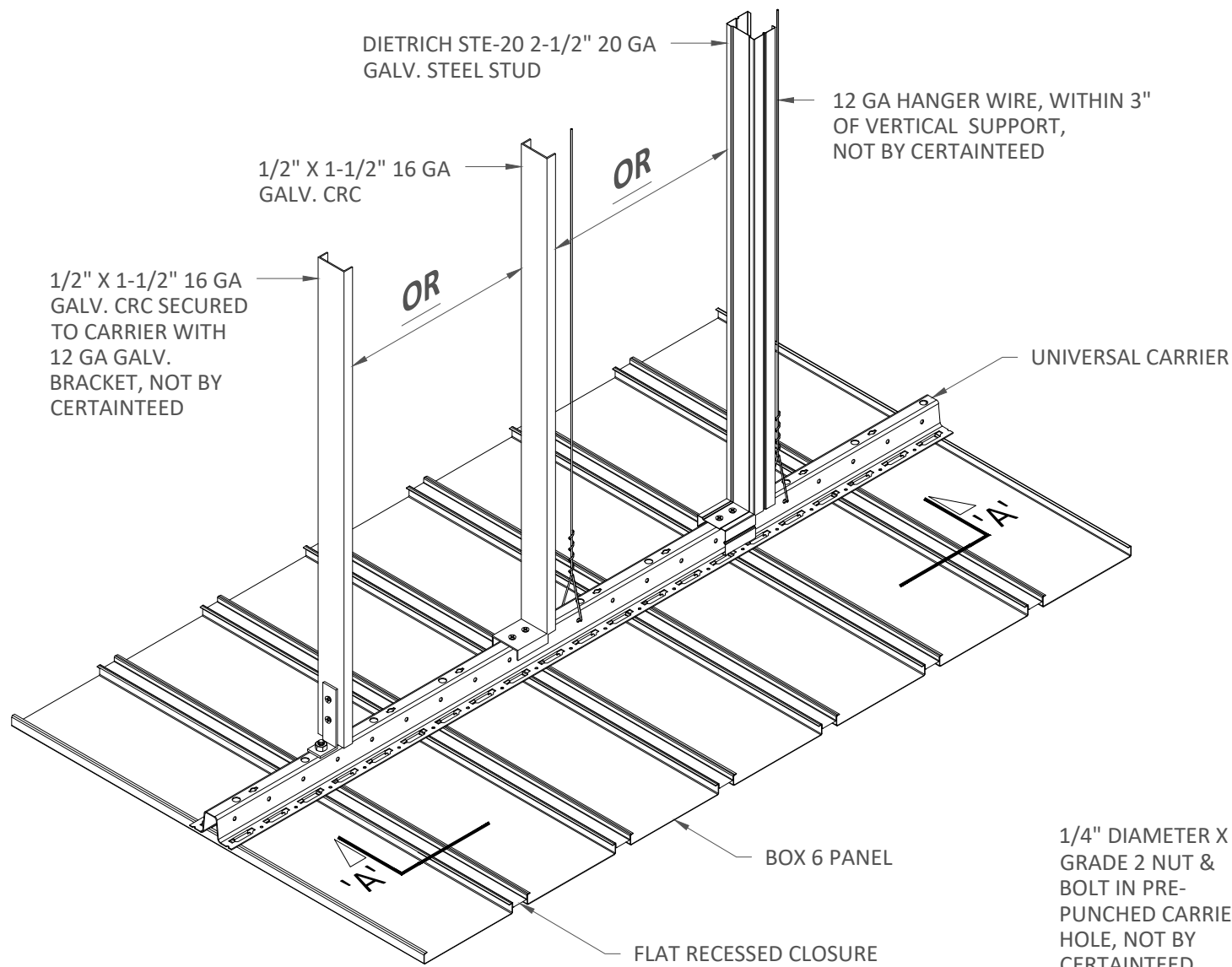
DRAWING NUMBER: EXT-BOX6-B1.2

SCALE: AS SHOWN

DRAWN BY: CTA ENGINEERING

DATE: 6/1/21

These drawings show typical conditions for installing the CertainTeed product shown. They should not be construed as a substitute for an architectural or engineering design and do not reflect the unique requirements of local codes, laws, statutes or regulations that may be applicable for a specific installation. CertainTeed assumes no liability for the accuracy or completeness of the drawings for a specific installation or the fitness of the drawings for a particular purpose. The user is advised to consult with local licensed design professionals in order to assure compliance with all legal requirements. CertainTeed is not licensed to provide professional engineering or architectural services.



**NOTE A:**

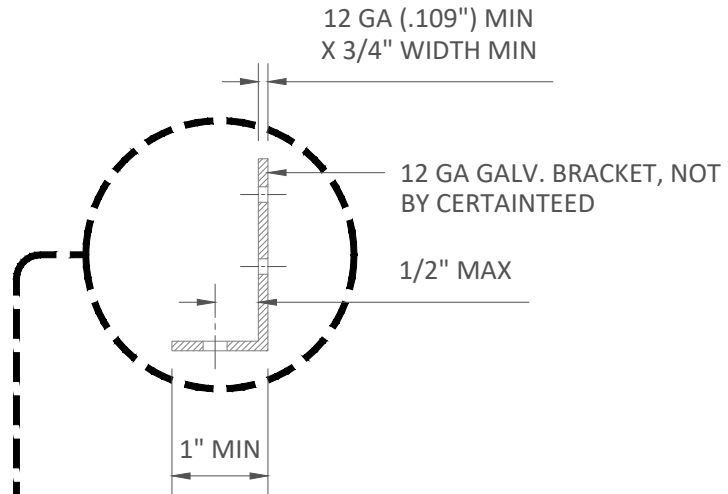
VERTICAL SUPPORT STRUTS (MINIMUM 1-1/2" 16 GA GALV. 'C' CHANNEL OR EQUAL, MAX LENGTH OF 28"). SEE DRAWING # EXT-BOX6-B1.2 FOR EXTERIOR SUSPENSION REQUIREMENTS. VERTICAL SUPPORTS SHALL BE LOCATED WITHIN 6" OF THE ENDS OF EACH CARRIER AND WITHIN 6" ON BOTH SIDES OF A CARRIER SPLICE.

VERTICAL SUPPORT EQUALS:

DIETRICH STE-20 2-1/2" 20 GA GALV. MAX LENGTH OF 85"

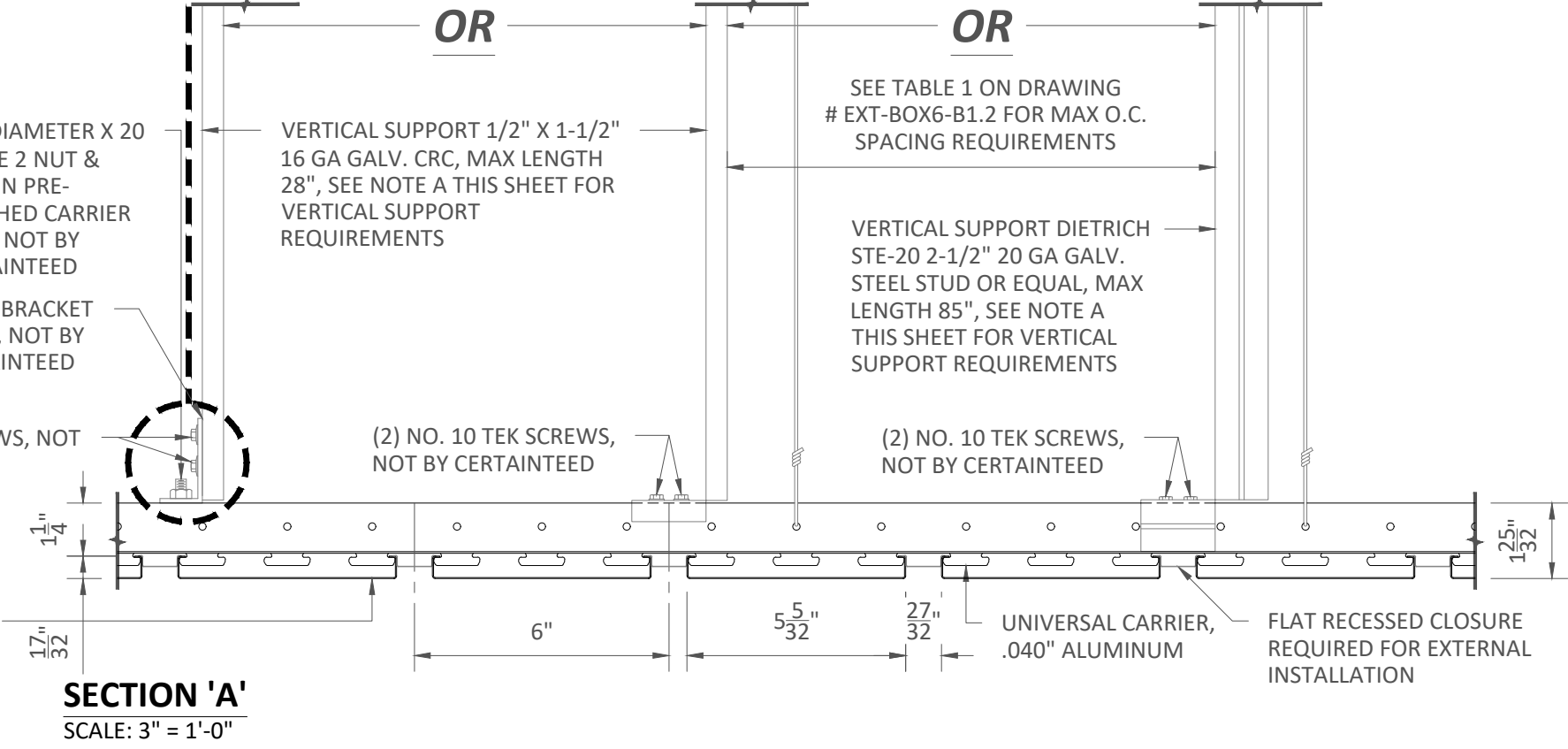
DIETRICH TRNB-25 MAX LENGTH OF 78"

\*\*\* ATTACHMENT TO STRUCTURE ABOVE SHALL BE DESIGNED AND PROVIDED BY OTHERS TO SUPPORT ALL LOADS IMPOSED BY CEILING SOFFIT SYSTEM \*\*\*



1/4" DIAMETER X 20 GRADE 2 NUT & BOLT IN PRE-PUNCHED CARRIER HOLE, NOT BY CERTAINTEED

12 GA BRACKET GALV., NOT BY CERTAINTEED



**NOTE B:**  
ALL PENETRATIONS IN CEILING TO BE FIELD LOCATED AND FIELD CUT. TRIM FOR THESE ITEMS NOT BY CERTAINTEED.

**NOTE C:**  
ATTACHMENT TO STRUCTURE DESIGNED AND PROVIDED BY OTHERS, NOT BY CERTAINTEED.

**EXTERIOR INSTALLATION**



5015 Oakbrook Parkway, Suite 100  
Norcross, GA 30093  
O 800 366 4327  
F 770 806 0214  
[www.certainteed.com/architectural](http://www.certainteed.com/architectural)

**SPECIFICATIONS**

(unless noted otherwise)

MATERIAL: .020" | .025" | .032" | .040" ALUMINUM BOX 6 PANEL | .040" ALUMINUM UNIVERSAL CARRIER

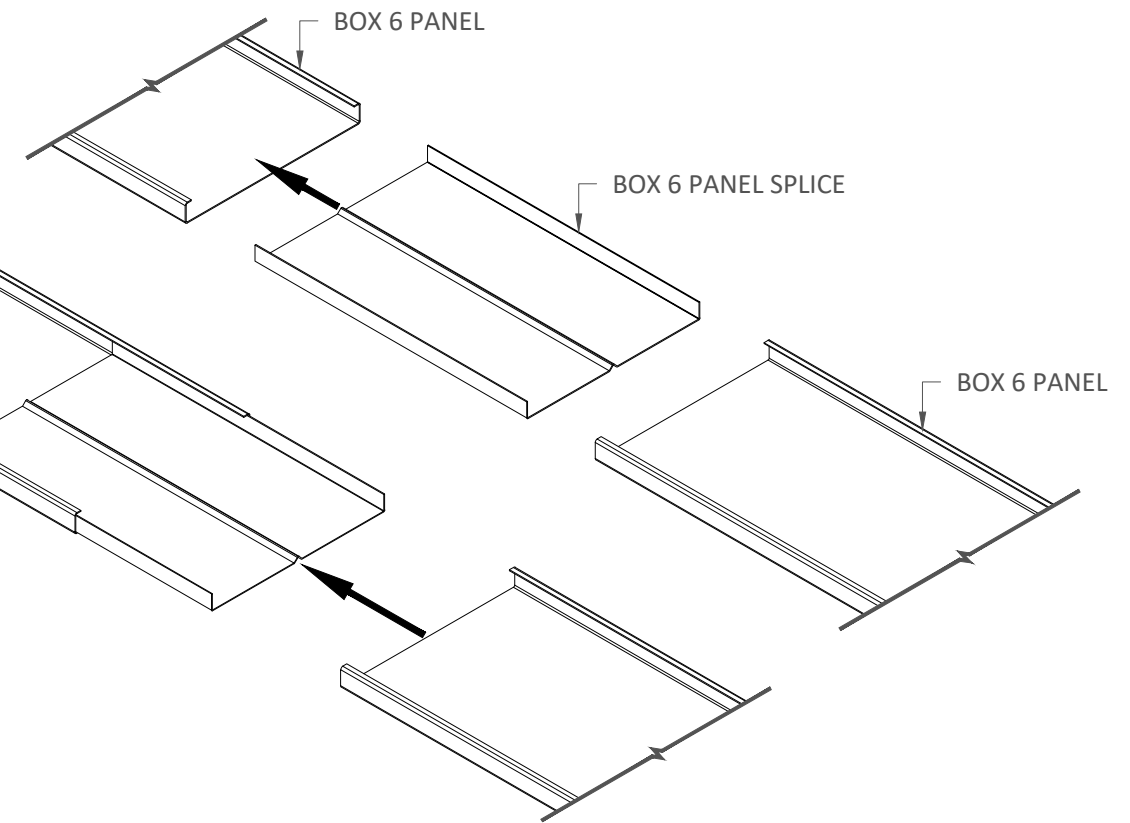
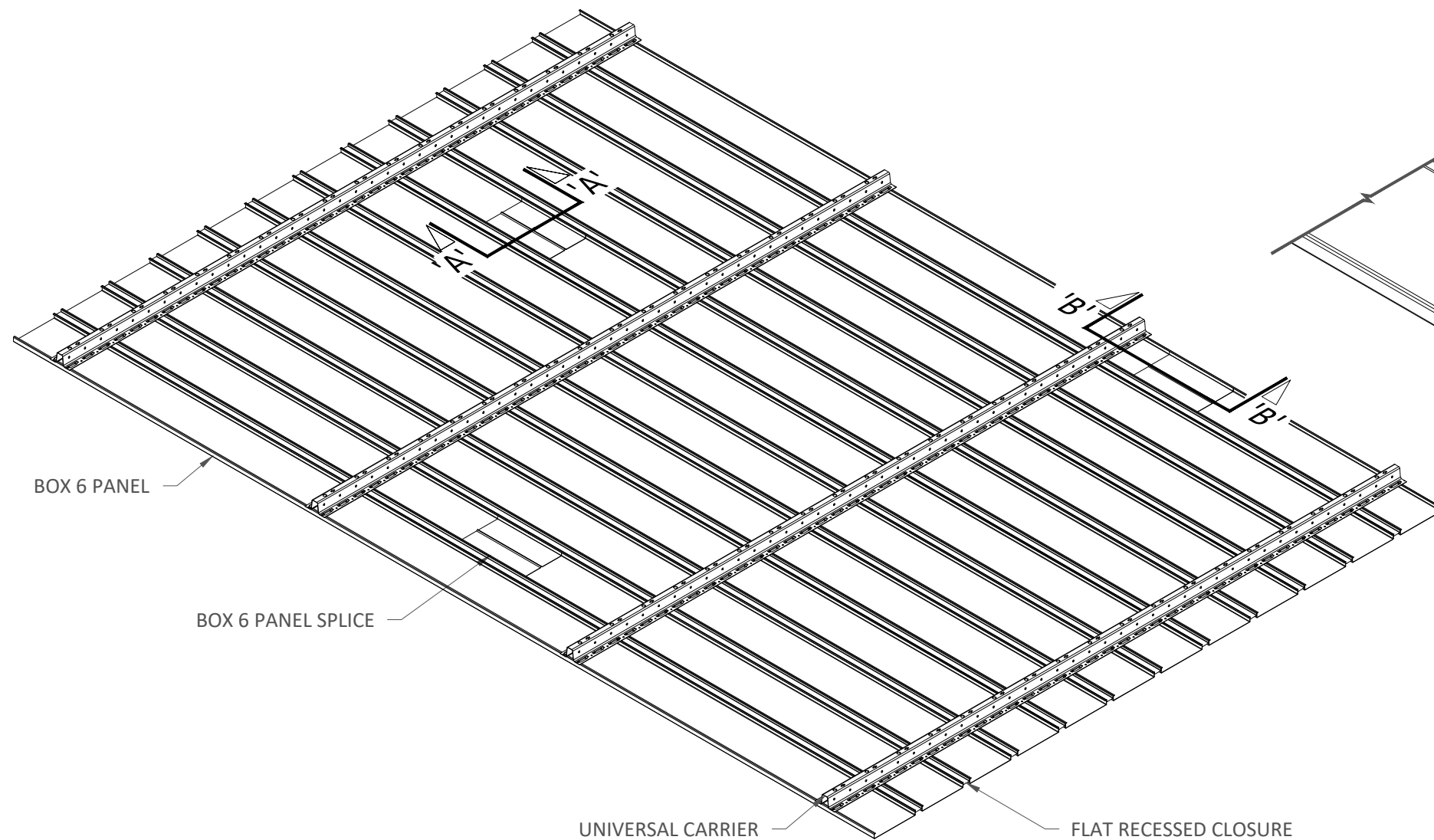
FINISH: PAINT | POWDER COAT | DECORATED WOOD FINISH | LUXACOTE

PERFORATION: NON-PERFORATED | #160

**EXTERIOR VERTICAL SUPPORT SPECIFICATIONS**

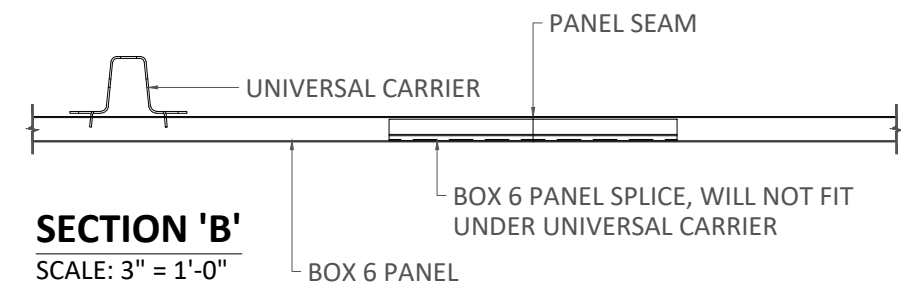
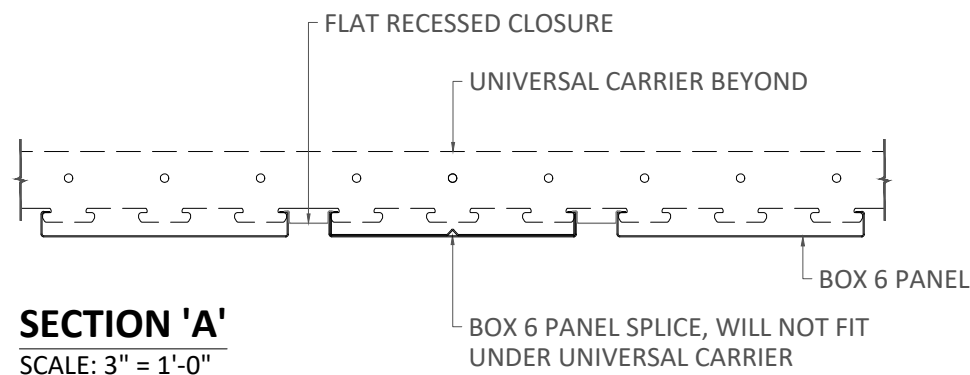
PROJECT: EXTERIOR BOX 6 PRODUCT SPECIFICATIONS  
DRAWING NUMBER: EXT-BOX6-B1.3  
SCALE: AS SHOWN  
DRAWN BY: CTA ENGINEERING  
DATE: 6/1/21

These drawings show typical conditions for installing the CertainTeed product shown. They should not be construed as a substitute for an architectural or engineering design and do not reflect the unique requirements of local codes, laws, statutes or regulations that may be applicable for a specific installation. CertainTeed assumes no liability for the accuracy or completeness of the drawings for a specific installation or the fitness of the drawings for a particular purpose. The user is advised to consult with local licensed design professionals in order to assure compliance with all legal requirements. CertainTeed is not licensed to provide professional engineering or architectural services.



**NOTE 1:**  
DO NOT SPLICE PANELS DIRECTLY BELOW UNIVERSAL CARRIERS.  
PANEL SPLICES DO NOT FIT UNDER CARRIERS.

**NOTE 2:**  
FIELD CUT PANELS AS REQUIRED TO CREATE A RANDOM  
STAGGERED SEAM PATTERN. AVOID ALIGNED SEAMS.



**EXTERIOR INSTALLATION**

\*VERTICAL SUPPORTS AND HANGER WIRE OMITTED FOR CLARITY

ARCHITECTURAL

**CertainTeed**  
SAINT-GOBAIN

5015 Oakbrook Parkway, Suite 100  
Norcross, GA 30093  
O 800 366 4327  
F 770 806 0214  
[www.certainteed.com/architectural](http://www.certainteed.com/architectural)

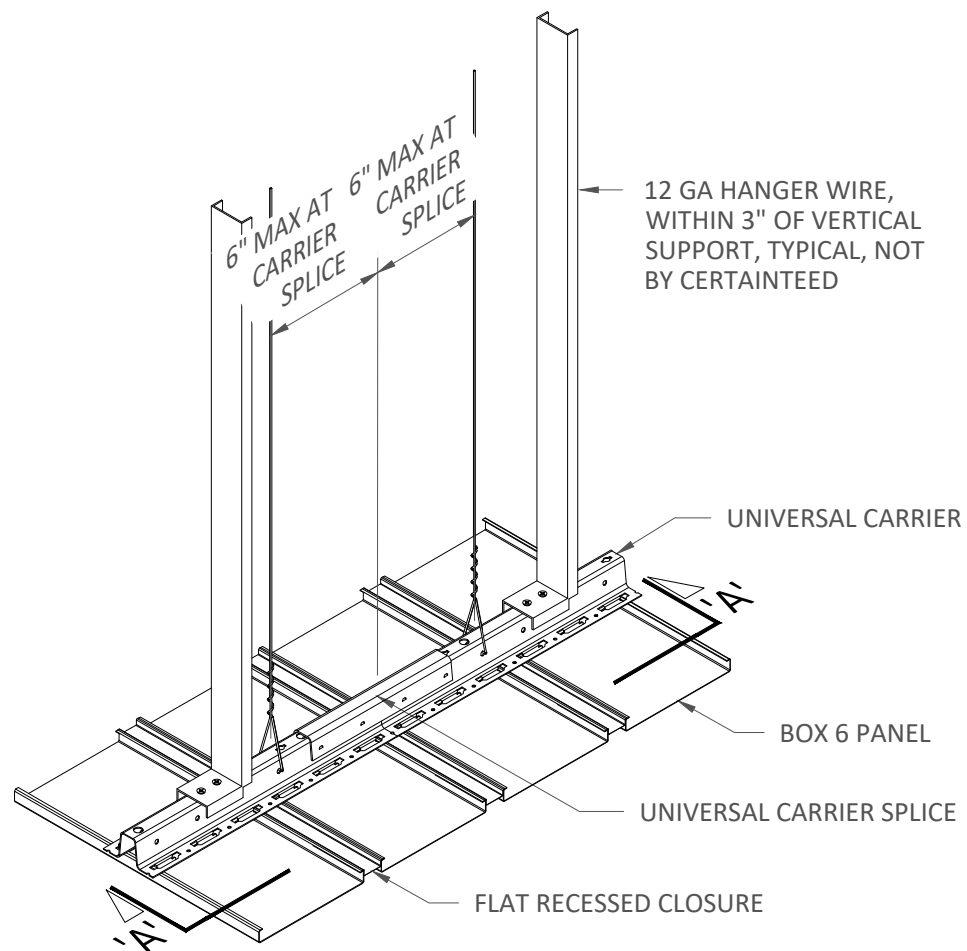
**SPECIFICATIONS**  
(unless noted otherwise)

MATERIAL: .020" | .025" | .032" | .040" ALUMINUM BOX 6 PANEL | .040"  
ALUMINUM UNIVERSAL CARRIER  
FINISH: PAINT | POWDER COAT | DECORATED WOOD FINISH | LUXACOTE  
PERFORATION: NON-PERFORATED | #160

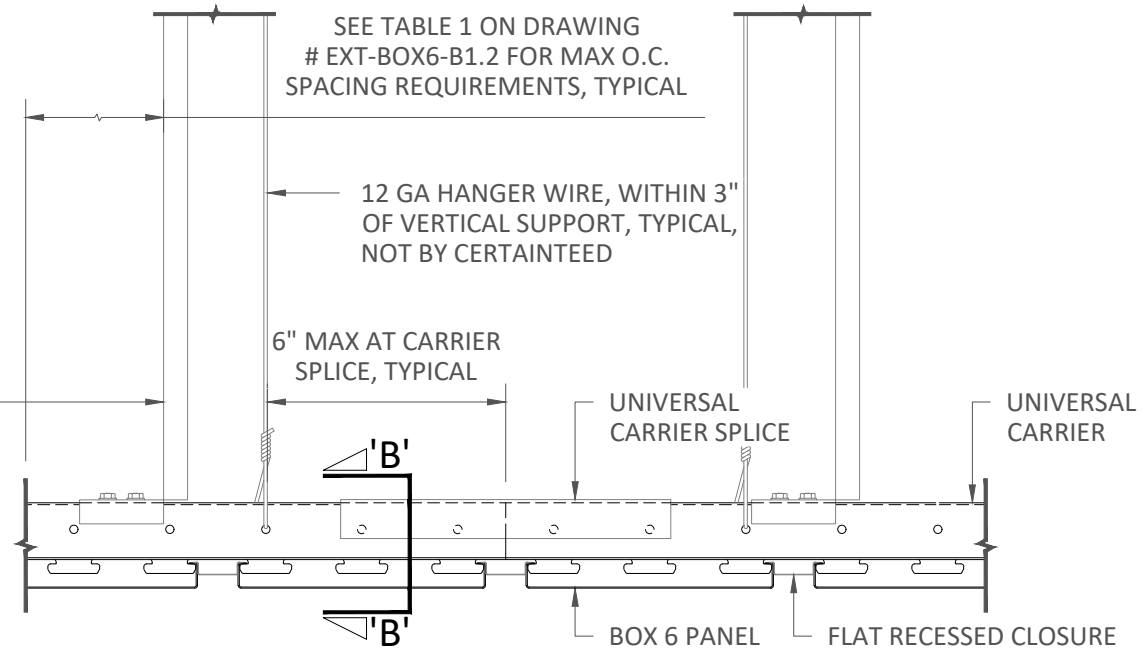
**PANEL SPLICE**

PROJECT: EXTERIOR BOX 6 PRODUCT SPECIFICATIONS  
DRAWING NUMBER: EXT-BOX6-B1.4  
SCALE: AS SHOWN  
DRAWN BY: CTA ENGINEERING  
DATE: 6/1/21

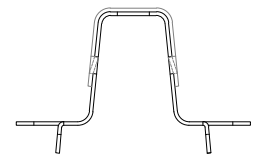
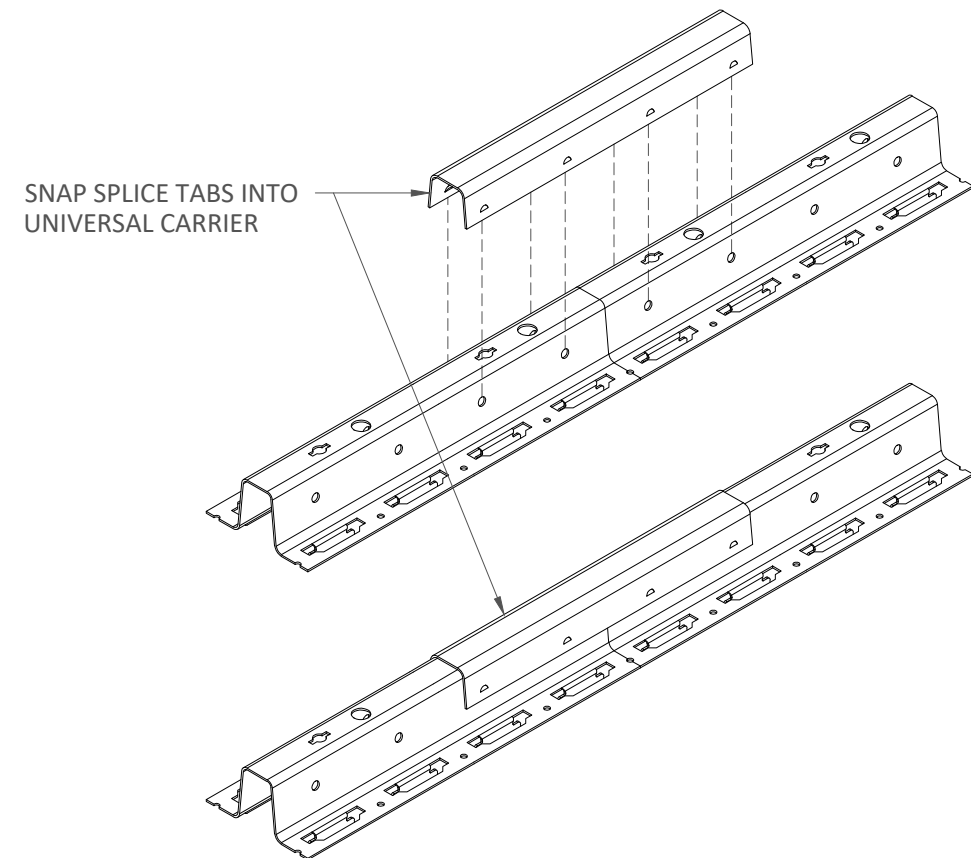
These drawings show typical conditions for installing the CertainTeed product shown. They should not be construed as a substitute for an architectural or engineering design and do not reflect the unique requirements of local codes, laws, statutes or regulations that may be applicable for a specific installation. CertainTeed assumes no liability for the accuracy or completeness of the drawings for a specific installation or the fitness of the drawings for a particular purpose. The user is advised to consult with local licensed design professionals in order to assure compliance with all legal requirements. CertainTeed is not licensed to provide professional engineering or architectural services.



VERTICAL SUPPORT 1/2" X 1-1/2"  
16 GA GALV. CRC OR EQUAL,  
MAX LENGTH 28", SEE NOTE A  
ON DRAWING # EXT-BOX6-B1.3 FOR  
VERTICAL SUPPORT REQUIREMENTS



**SECTION 'A'**  
SCALE: 3" = 1'-0"



**SECTION 'B'**  
SCALE: FULL (1:1)

IF THE DESIRED CARRIER LENGTH EXCEEDS THE  
MAXIMUM OF 16'-0", USE A UNIVERSAL CARRIER  
SPLICE TO CONNECT THE FACTORY CARRIER ENDS.

THE TABS OF THE SPLICE SNAP INTO THE HOLES IN THE  
CARRIER AND ADDITIONAL FIXING IS NOT NECESSARY.  
THE MODULE IS CONTINUED AUTOMATICALLY.

**EXTERIOR INSTALLATION**

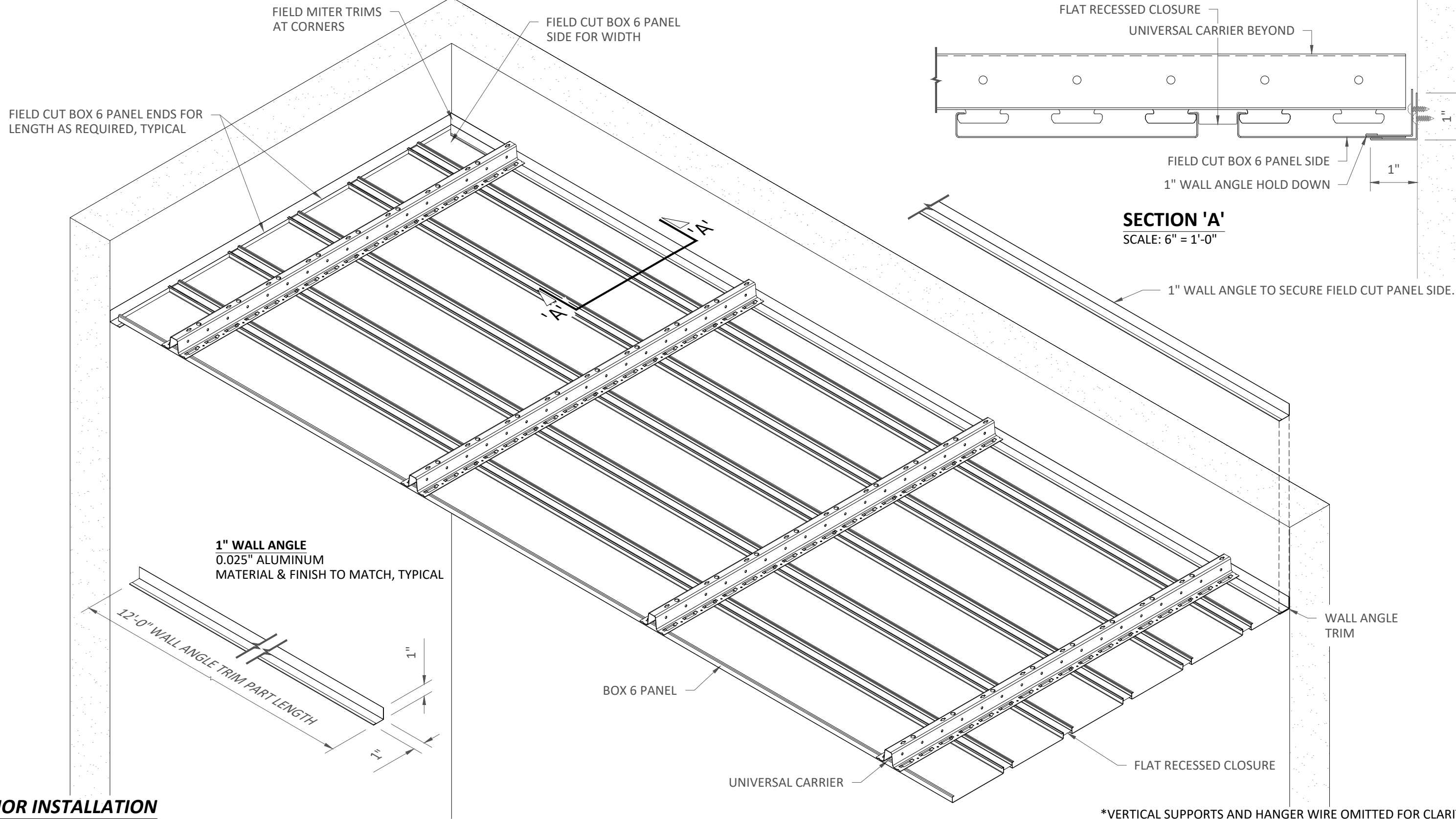


5015 Oakbrook Parkway, Suite 100  
Norcross, GA 30093  
O 800 366 4327  
F 770 806 0214  
[www.certainteed.com/architectural](http://www.certainteed.com/architectural)

**SPECIFICATIONS**  
(unless noted otherwise)  
MATERIAL: .020" | .025" | .032" | .040" ALUMINUM BOX 6 PANEL | .040"  
ALUMINUM UNIVERSAL CARRIER  
FINISH: PAINT | POWDER COAT | DECORATED WOOD FINISH | LUXACOTE  
PERFORATION: NON-PERFORATED | #160

**UNIVERSAL CARRIER SPLICE**  
PROJECT: EXTERIOR BOX 6 PRODUCT SPECIFICATIONS  
DRAWING NUMBER: EXT-BOX6-B1.5  
SCALE: AS SHOWN  
DRAWN BY: CTA ENGINEERING  
DATE: 6/1/21

These drawings show typical conditions for installing the CertainTeed product shown. They should not be construed as a substitute for an architectural or engineering design and do not reflect the unique requirements of local codes, laws, statutes or regulations that may be applicable for a specific installation. CertainTeed assumes no liability for the accuracy or completeness of the drawings for a specific installation or the fitness of the drawings for a particular purpose. The user is advised to consult with local licensed design professionals in order to assure compliance with all legal requirements. CertainTeed is not licensed to provide professional engineering or architectural services.



**SECTION 'A'**  
SCALE: 6" = 1'-0"

**EXTERIOR INSTALLATION**

\*VERTICAL SUPPORTS AND HANGER WIRE OMITTED FOR CLARITY

**ARCHITECTURAL**

**CertainTeed**  
SAINT-GOBAIN

5015 Oakbrook Parkway, Suite 100  
Norcross, GA 30093  
O 800 366 4327  
F 770 806 0214  
[www.certainteed.com/architectural](http://www.certainteed.com/architectural)

These drawings show typical conditions for installing the CertainTeed product shown. They should not be construed as a substitute for an architectural or engineering design and do not reflect the unique requirements of local codes, laws, statutes or regulations that may be applicable for a specific installation. CertainTeed assumes no liability for the accuracy or completeness of the drawings for a specific installation or the fitness of the drawings for a particular purpose. The user is advised to consult with local licensed design professionals in order to assure compliance with all legal requirements. CertainTeed is not licensed to provide professional engineering or architectural services.

**SPECIFICATIONS**  
(unless noted otherwise)

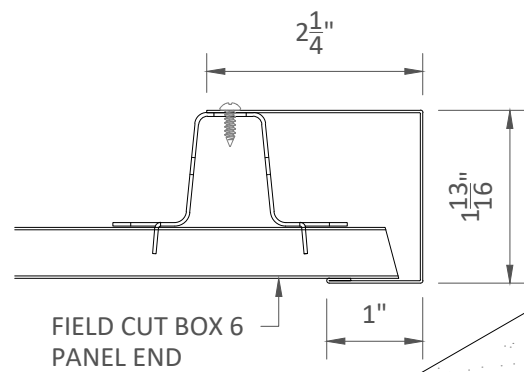
MATERIAL: .020" | .025" | .032" | .040" ALUMINUM BOX 6 PANEL | .040" ALUMINUM UNIVERSAL CARRIER

FINISH: PAINT | POWDER COAT | DECORATED WOOD FINISH | LUXACOTE

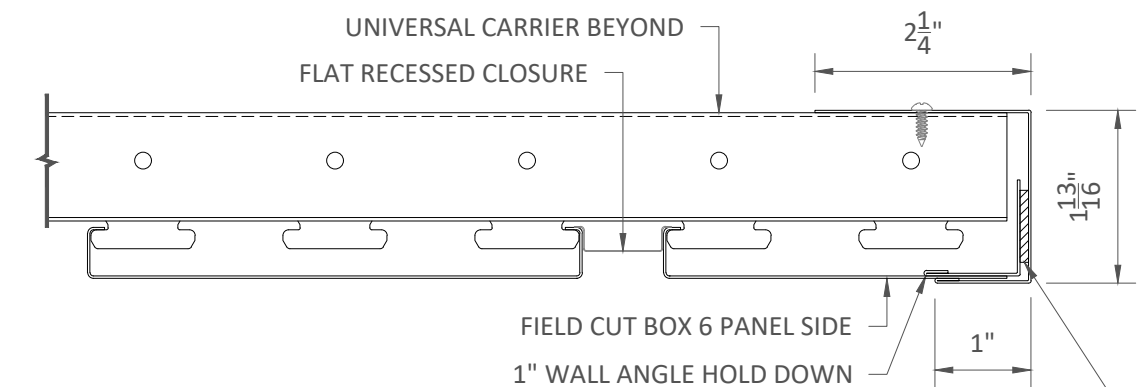
PERFORATION: NON-PERFORATED | #160

**WALL ANGLE TRIM**

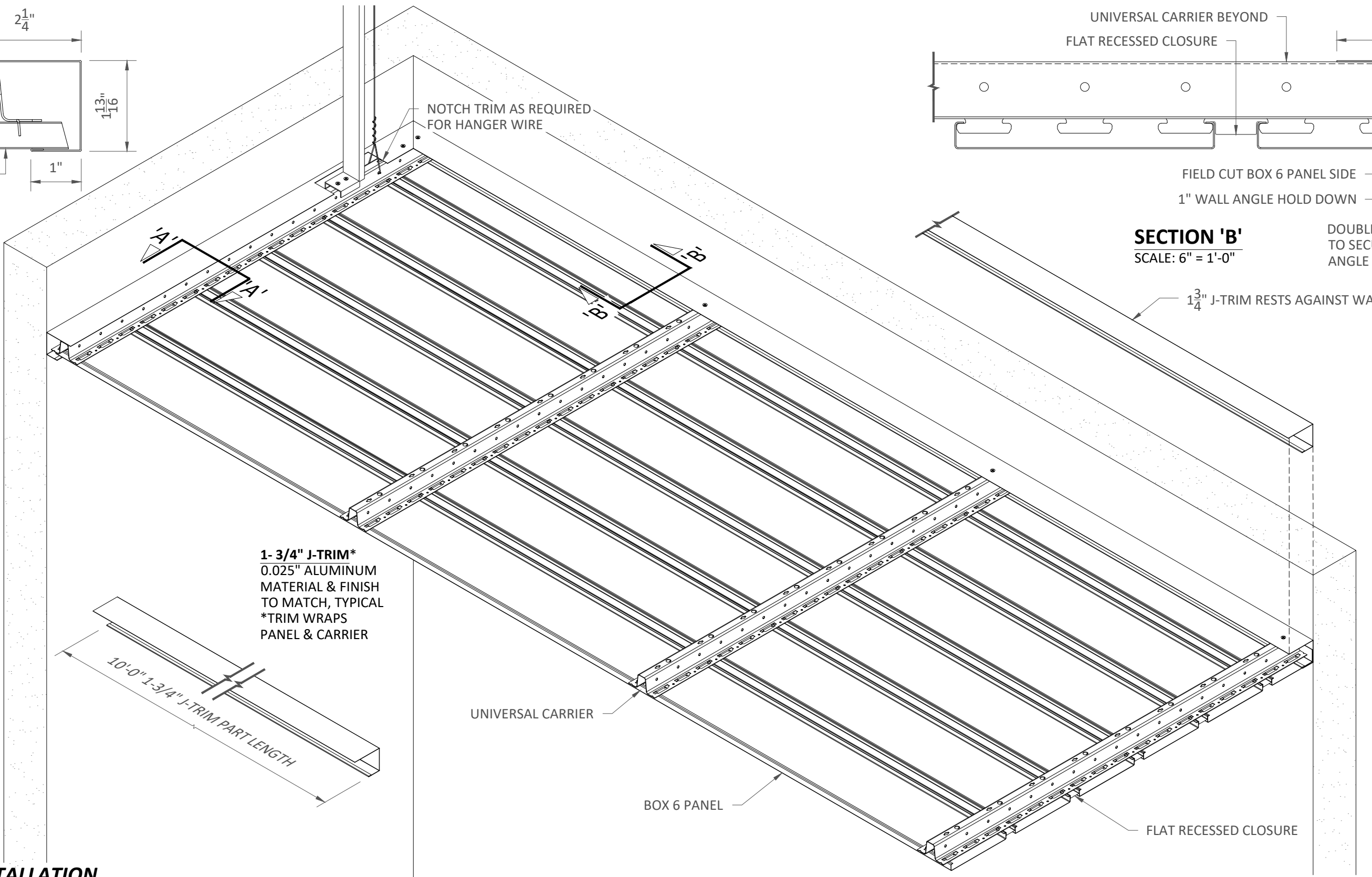
PROJECT: EXTERIOR BOX 6 PRODUCT SPECIFICATIONS  
DRAWING NUMBER: EXT-BOX6-B1.6  
SCALE: AS SHOWN  
DRAWN BY: CTA ENGINEERING  
DATE: 6/1/21



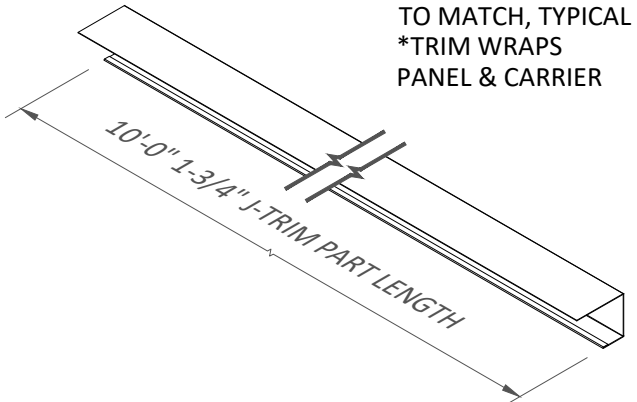
**SECTION 'A'**  
SCALE: 6" = 1'-0"



**SECTION 'B'**  
SCALE: 6" = 1'-0"



**1- 3/4" J-TRIM\***  
0.025" ALUMINUM  
MATERIAL & FINISH  
TO MATCH, TYPICAL  
\*TRIM WRAPS  
PANEL & CARRIER



**EXTERIOR INSTALLATION**

\*SOME VERTICAL SUPPORTS AND HANGER WIRE OMITTED FOR CLARITY



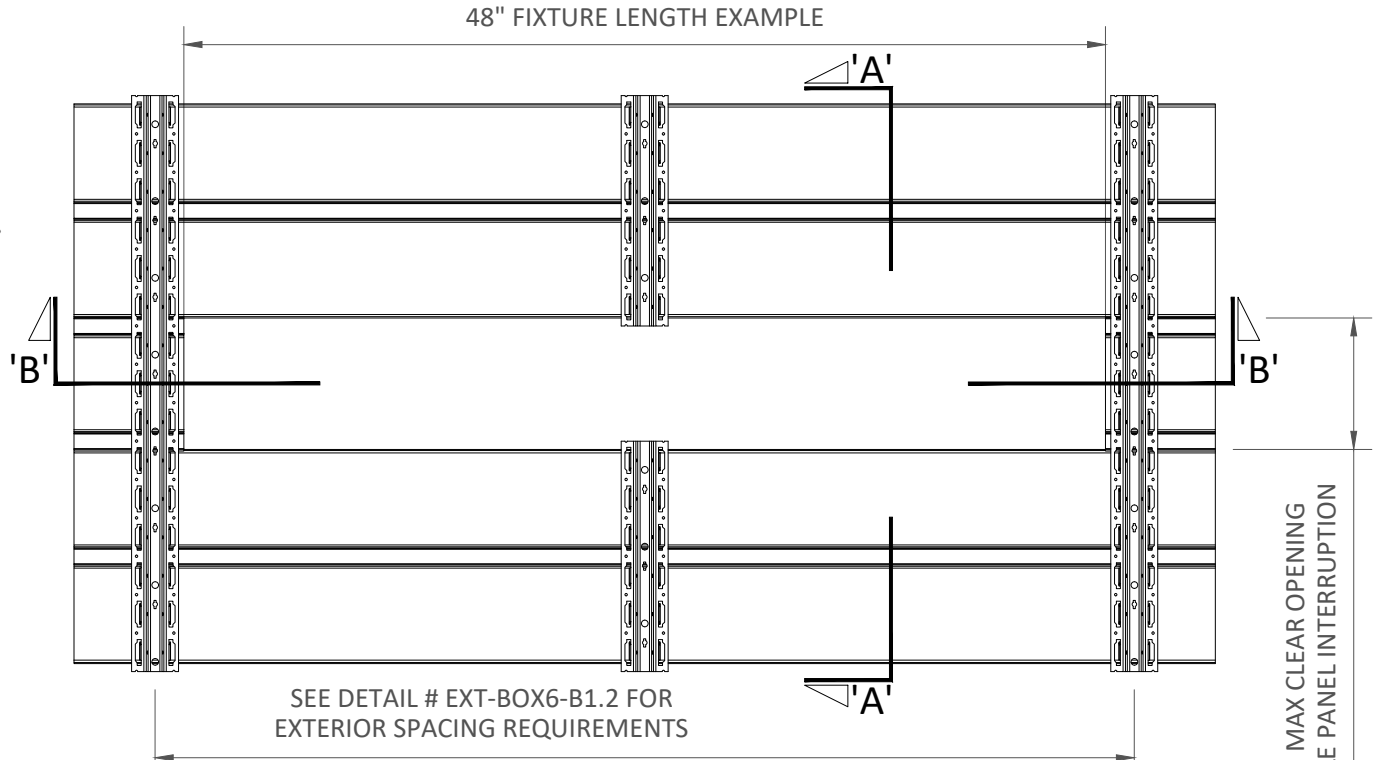
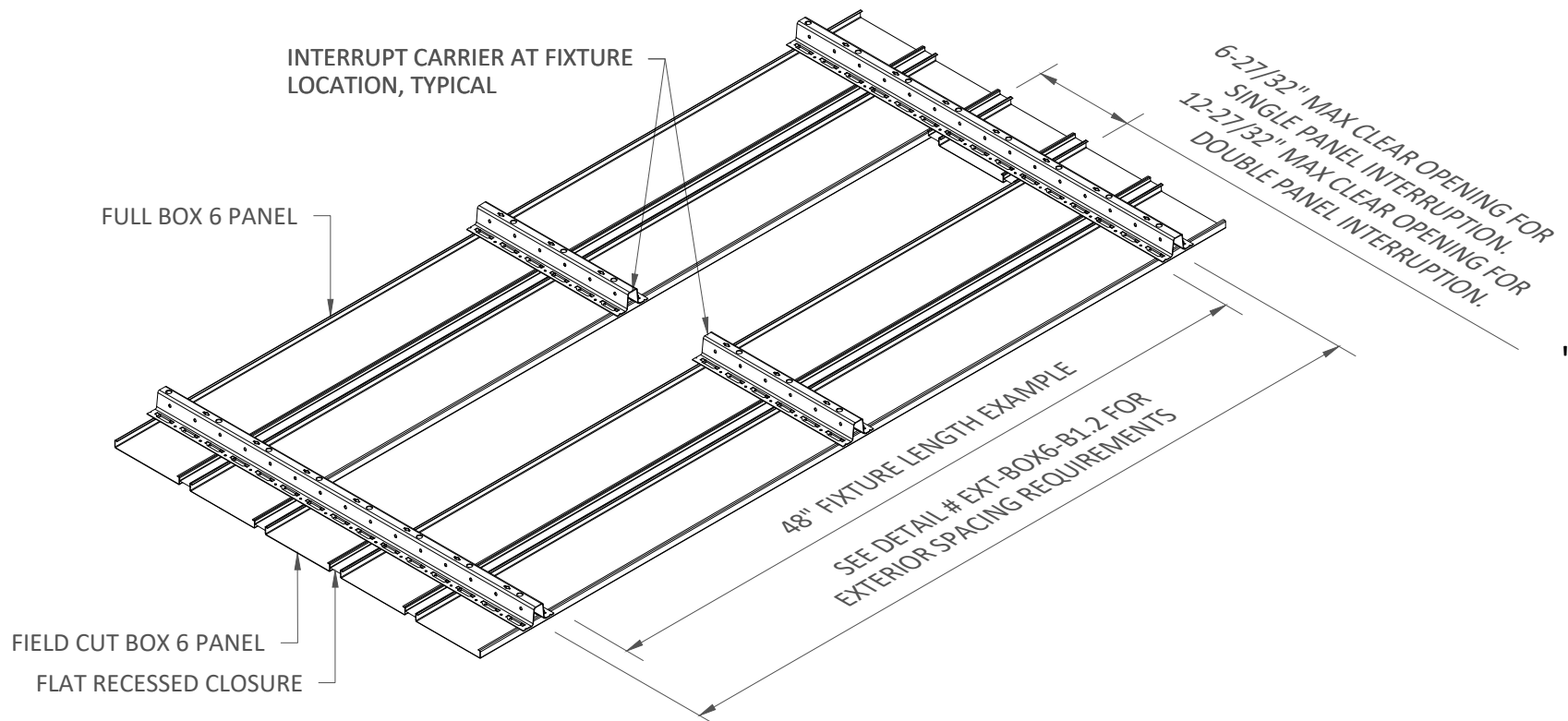
5015 Oakbrook Parkway, Suite 100  
Norcross, GA 30093  
O 800 366 4327  
F 770 806 0214  
[www.certainteed.com/architectural](http://www.certainteed.com/architectural)

**SPECIFICATIONS**  
(unless noted otherwise)  
MATERIAL: .020" | .025" | .032" | .040" ALUMINUM BOX 6 PANEL | .040"  
ALUMINUM UNIVERSAL CARRIER  
FINISH: PAINT | POWDER COAT | DECORATED WOOD FINISH | LUXACOTE  
PERFORATION: NON-PERFORATED | #160

**FLOATING TRIM**  
PROJECT: EXTERIOR BOX 6 PRODUCT SPECIFICATIONS  
DRAWING NUMBER: EXT-BOX6-B1.7  
SCALE: AS SHOWN  
DRAWN BY: CTA ENGINEERING  
DATE: 6/1/21

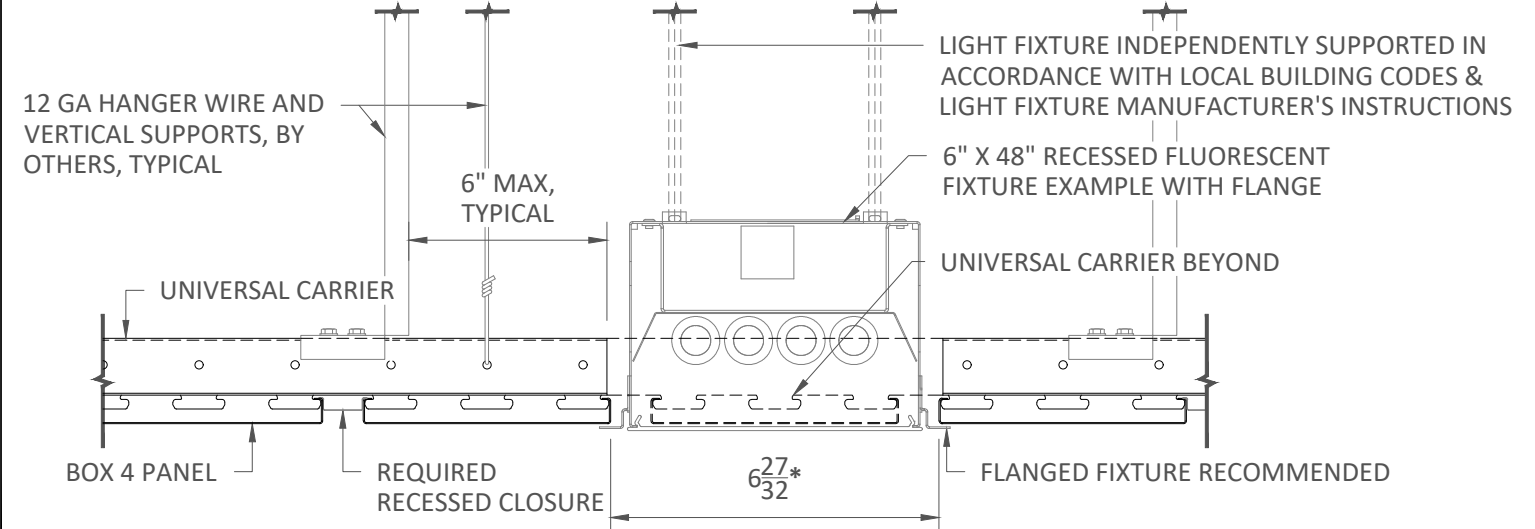
These drawings show typical conditions for installing the CertainTeed product shown. They should not be construed as a substitute for an architectural or engineering design and do not reflect the unique requirements of local codes, laws, statutes or regulations that may be applicable for a specific installation. CertainTeed assumes no liability for the accuracy or completeness of the drawings for a specific installation or the fitness of the drawings for a particular purpose. The user is advised to consult with local licensed design professionals in order to assure compliance with all legal requirements. CertainTeed is not licensed to provide professional engineering or architectural services.





**TYPICAL ISOMETRIC**

SCALE: NOT TO SCALE

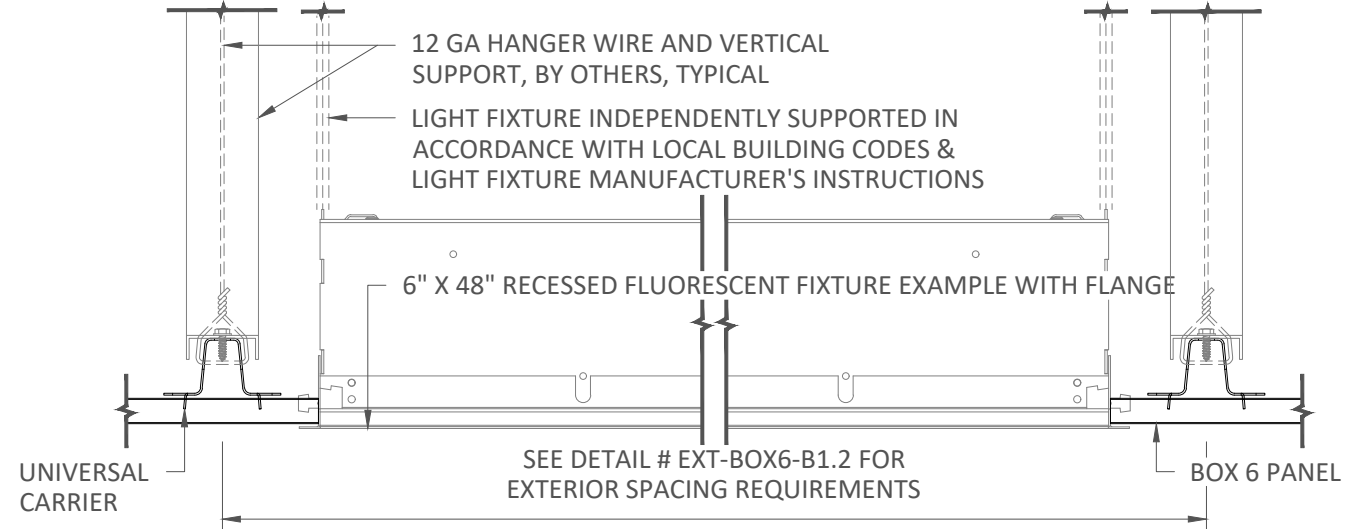


**SECTION 'A'**  
SCALE: 3" = 1'-0"

\* $6\frac{27}{32}$ " MAX CLEAR OPENING, PANEL EDGE TO PANEL EDGE, FOR SINGLE PANEL INTERRUPTION.  
 $12\frac{27}{32}$ " MAX CLEAR OPENING, PANEL EDGE TO PANEL EDGE, FOR DOUBLE PANEL INTERRUPTION.

**TOP VIEW**

SCALE: NOT TO SCALE



**SECTION 'B'**  
SCALE: 3" = 1'-0"

**NOTE: FIXTURE WITH TRIM FLANGE NOT BY CERTAINTEED**

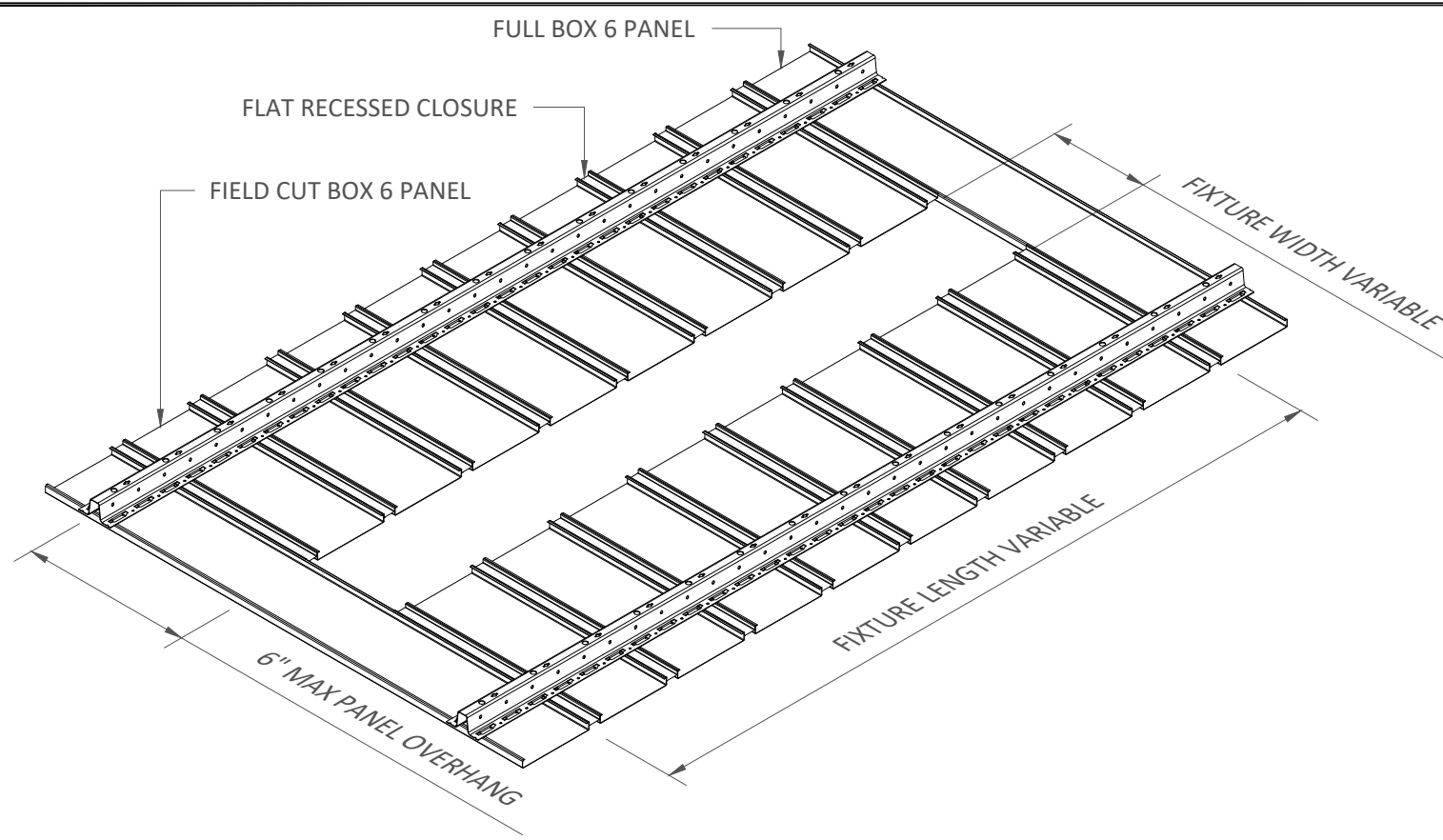


5015 Oakbrook Parkway, Suite 100  
 Norcross, GA 30093  
 O 800 366 4327  
 F 770 806 0214  
[www.certainteed.com/architectural](http://www.certainteed.com/architectural)

**SPECIFICATIONS**  
 (unless noted otherwise)  
 MATERIAL: .020" | .025" | .032" | .040" ALUMINUM BOX 6 PANEL | .040"  
 ALUMINUM UNIVERSAL CARRIER  
 FINISH: PAINT | POWDER COAT | DECORATED WOOD FINISH | LUXACOTE  
 PERFORATION: NON-PERFORATED | #160

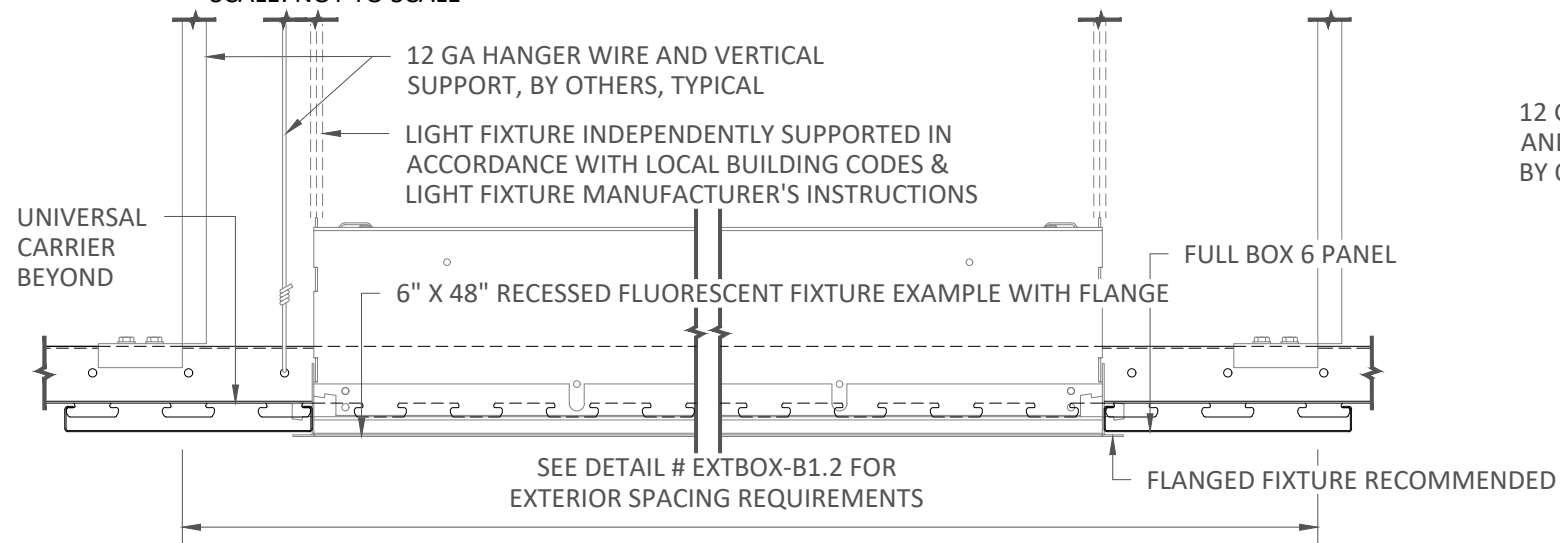
**INTERRUPTED PANEL FOR TYPICAL FIXTURE**  
 PROJECT: EXTERIOR BOX 6 PRODUCT SPECIFICATIONS  
 DRAWING NUMBER: EXT-BOX6-B1.8  
 SCALE: AS SHOWN  
 DRAWN BY: CTA ENGINEERING  
 DATE: 6/1/21

These drawings show typical conditions for installing the CertainTeed product shown. They should not be construed as a substitute for an architectural or engineering design and do not reflect the unique requirements of local codes, laws, statutes or regulations that may be applicable for a specific installation. CertainTeed assumes no liability for the accuracy or completeness of the drawings for a specific installation or the fitness of the drawings for a particular purpose. The user is advised to consult with local licensed design professionals in order to assure compliance with all legal requirements. CertainTeed is not licensed to provide professional engineering or architectural services.

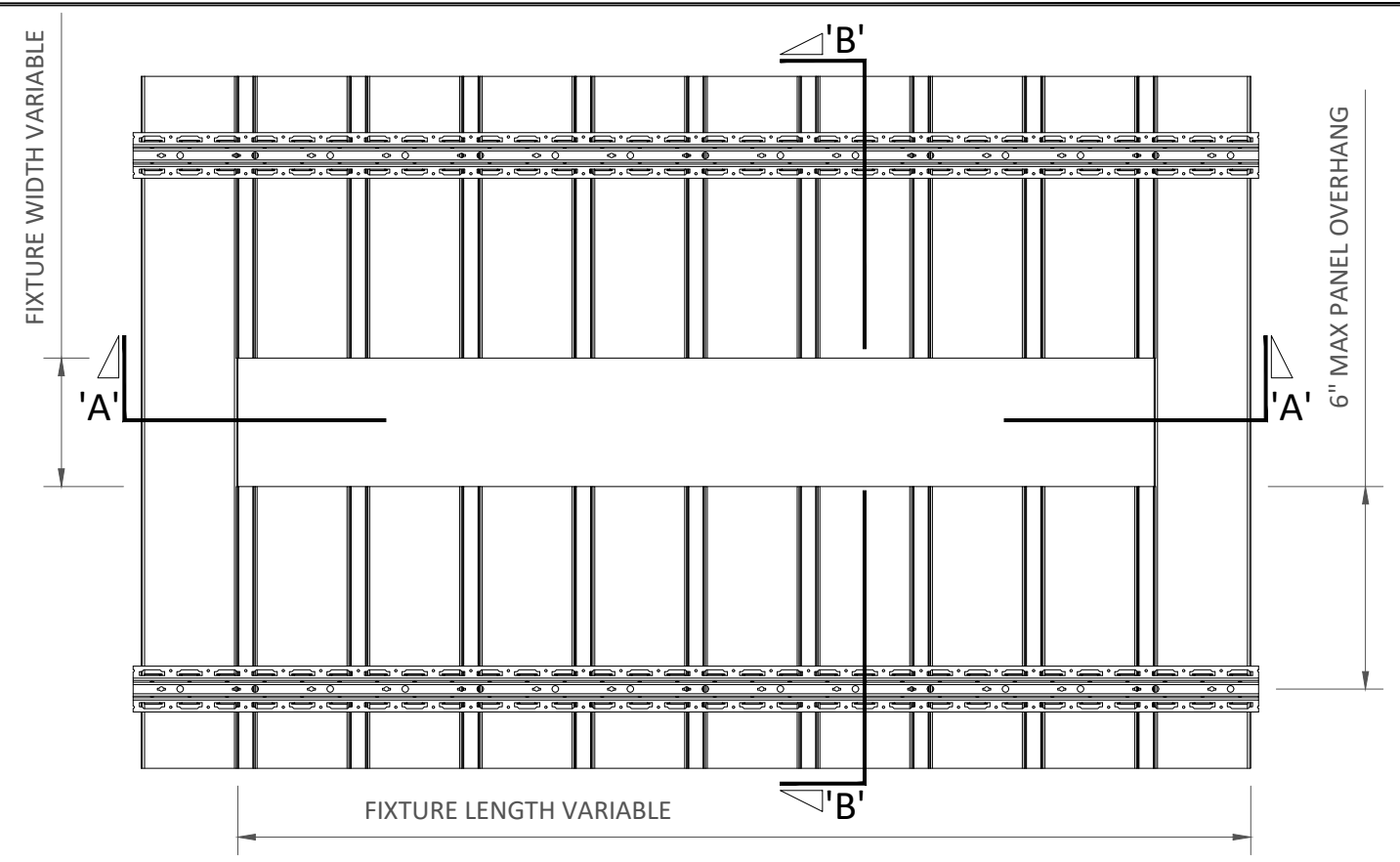


**TYPICAL ISOMETRIC**

SCALE: NOT TO SCALE

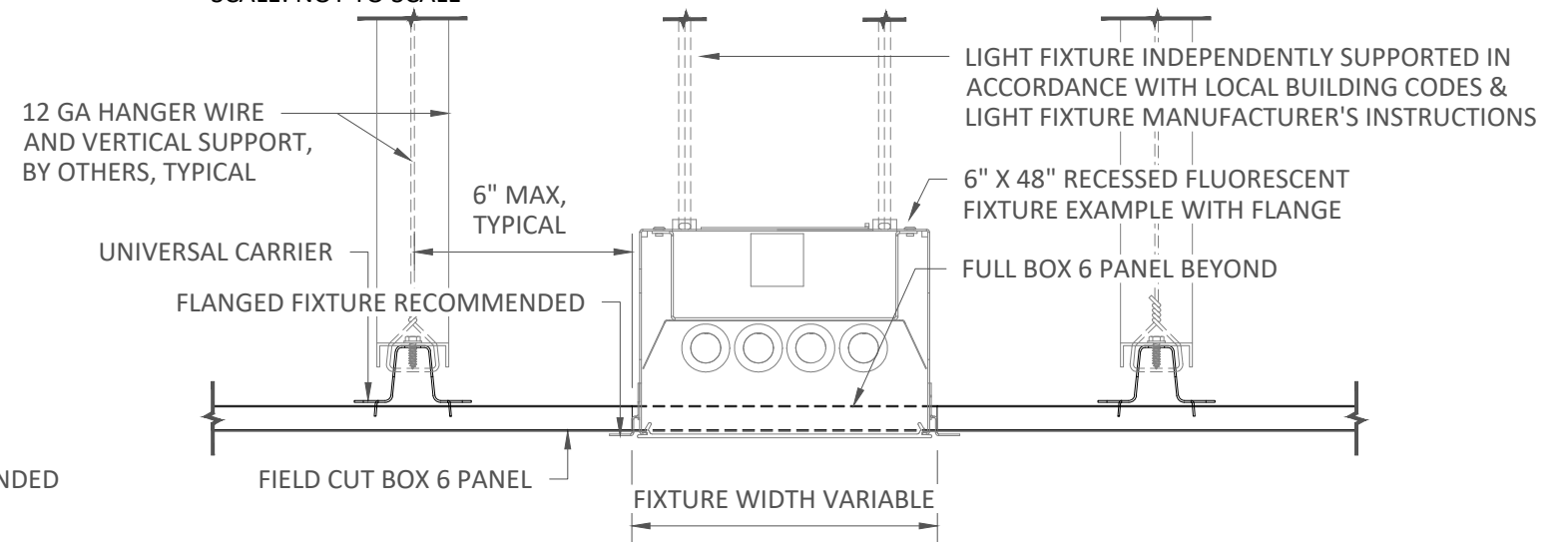


**SECTION 'A'**  
SCALE: 3" = 1'-0"



**TOP VIEW**

SCALE: NOT TO SCALE



**SECTION 'B'**  
SCALE: 3" = 1'-0"

**NOTE: FIXTURE WITH TRIM FLANGE NOT BY CERTAINTEED**



5015 Oakbrook Parkway, Suite 100  
Norcross, GA 30093  
O 800 366 4327  
F 770 806 0214  
[www.certainteed.com/architectural](http://www.certainteed.com/architectural)

**SPECIFICATIONS**

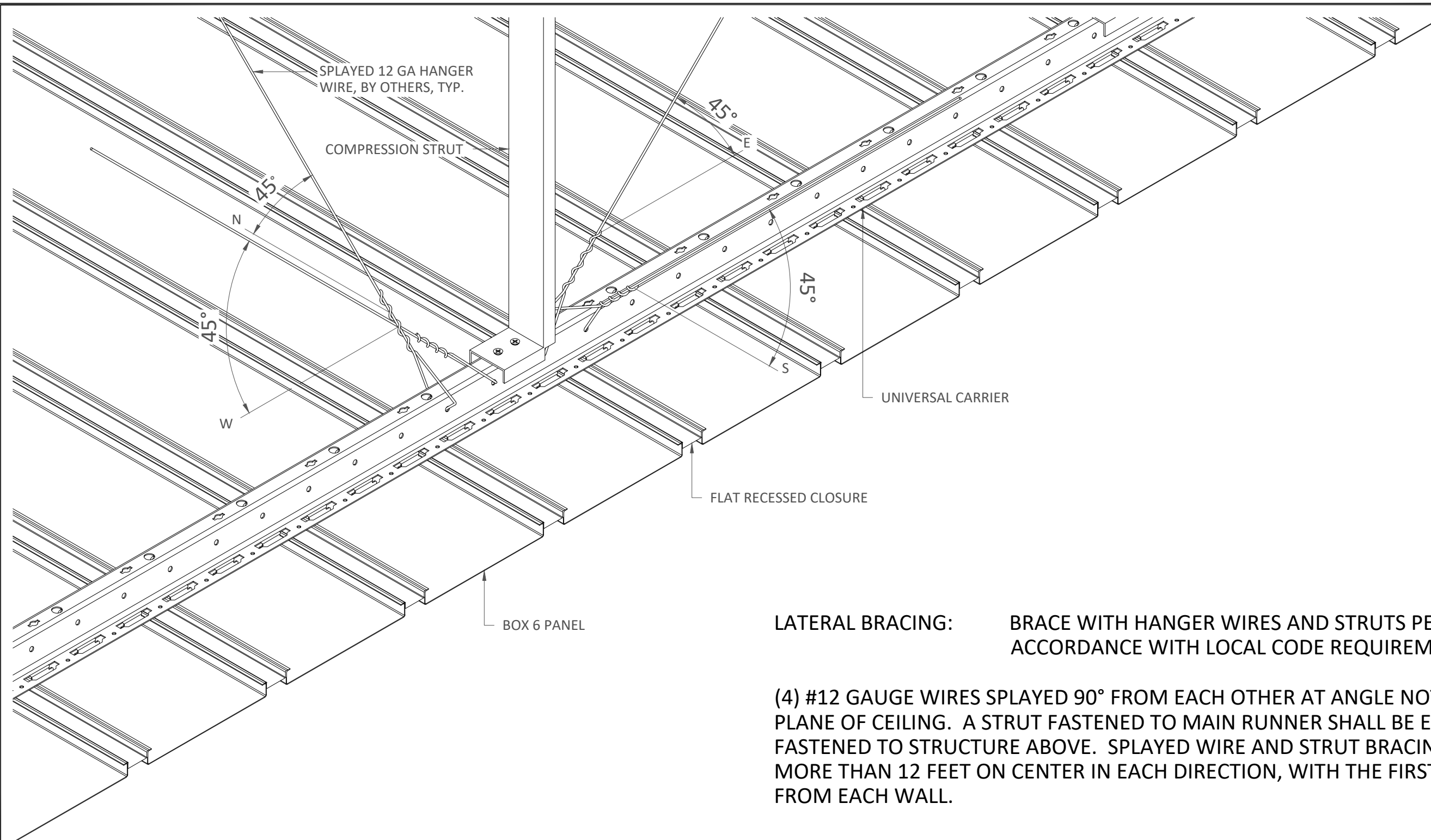
(unless noted otherwise)

MATERIAL: .020" | .025" | .032" | .040" ALUMINUM BOX 6 PANEL | .040"  
ALUMINUM UNIVERSAL CARRIER  
FINISH: PAINT | POWDER COAT | DECORATED WOOD FINISH | LUXACOTE  
PERFORATION: NON-PERFORATED | #160

**FIELD CUT PANEL FOR TYPICAL FIXTURE**

PROJECT: EXTERIOR BOX 6 PRODUCT SPECIFICATIONS  
DRAWING NUMBER: EXT-BOX6-B1.9  
SCALE: AS SHOWN  
DRAWN BY: CTA ENGINEERING  
DATE: 6/1/21

These drawings show typical conditions for installing the CertainTeed product shown. They should not be construed as a substitute for an architectural or engineering design and do not reflect the unique requirements of local codes, laws, statutes or regulations that may be applicable for a specific installation. CertainTeed assumes no liability for the accuracy or completeness of the drawings for a specific installation or the fitness of the drawings for a particular purpose. The user is advised to consult with local licensed design professionals in order to assure compliance with all legal requirements. CertainTeed is not licensed to provide professional engineering or architectural services.



**LATERAL BRACING:** BRACE WITH HANGER WIRES AND STRUTS PER ASTM E-580 AND IN ACCORDANCE WITH LOCAL CODE REQUIREMENTS.

(4) #12 GAUGE WIRES SPLAYED 90° FROM EACH OTHER AT ANGLE NOT EXCEEDING 45° FROM PLANE OF CEILING. A STRUT FASTENED TO MAIN RUNNER SHALL BE EXTENDED TO AND FASTENED TO STRUCTURE ABOVE. SPLAYED WIRE AND STRUT BRACING TO BE PLACED NOT MORE THAN 12 FEET ON CENTER IN EACH DIRECTION, WITH THE FIRST POINT WITHIN 6 FEET FROM EACH WALL.

**EXTERIOR INSTALLATION**

ARCHITECTURAL

**CertainTeed**  
SAINT-GOBAIN

5015 Oakbrook Parkway, Suite 100  
Norcross, GA 30093  
O 800 366 4327  
F 770 806 0214  
[www.certainteed.com/architectural](http://www.certainteed.com/architectural)

**SPECIFICATIONS**  
(unless noted otherwise)

MATERIAL: .020" | .025" | .032" | .040" ALUMINUM BOX 6 PANEL | .040"  
ALUMINUM UNIVERSAL CARRIER  
FINISH: PAINT | POWDER COAT | DECORATED WOOD FINISH | LUXACOTE  
PERFORATION: NON-PERFORATED | #160

**SEISMIC SPECIFICATIONS**

PROJECT: EXTERIOR BOX 6 PRODUCT SPECIFICATIONS  
DRAWING NUMBER: EXT-BOX6-B1.12  
SCALE: AS SHOWN  
DRAWN BY: CTA ENGINEERING  
DATE: 6/1/21

These drawings show typical conditions for installing the CertainTeed product shown. They should not be construed as a substitute for an architectural or engineering design and do not reflect the unique requirements of local codes, laws, statutes or regulations that may be applicable for a specific installation. CertainTeed assumes no liability for the accuracy or completeness of the drawings for a specific installation or the fitness of the drawings for a particular purpose. The user is advised to consult with local licensed design professionals in order to assure compliance with all legal requirements. CertainTeed is not licensed to provide professional engineering or architectural services.