

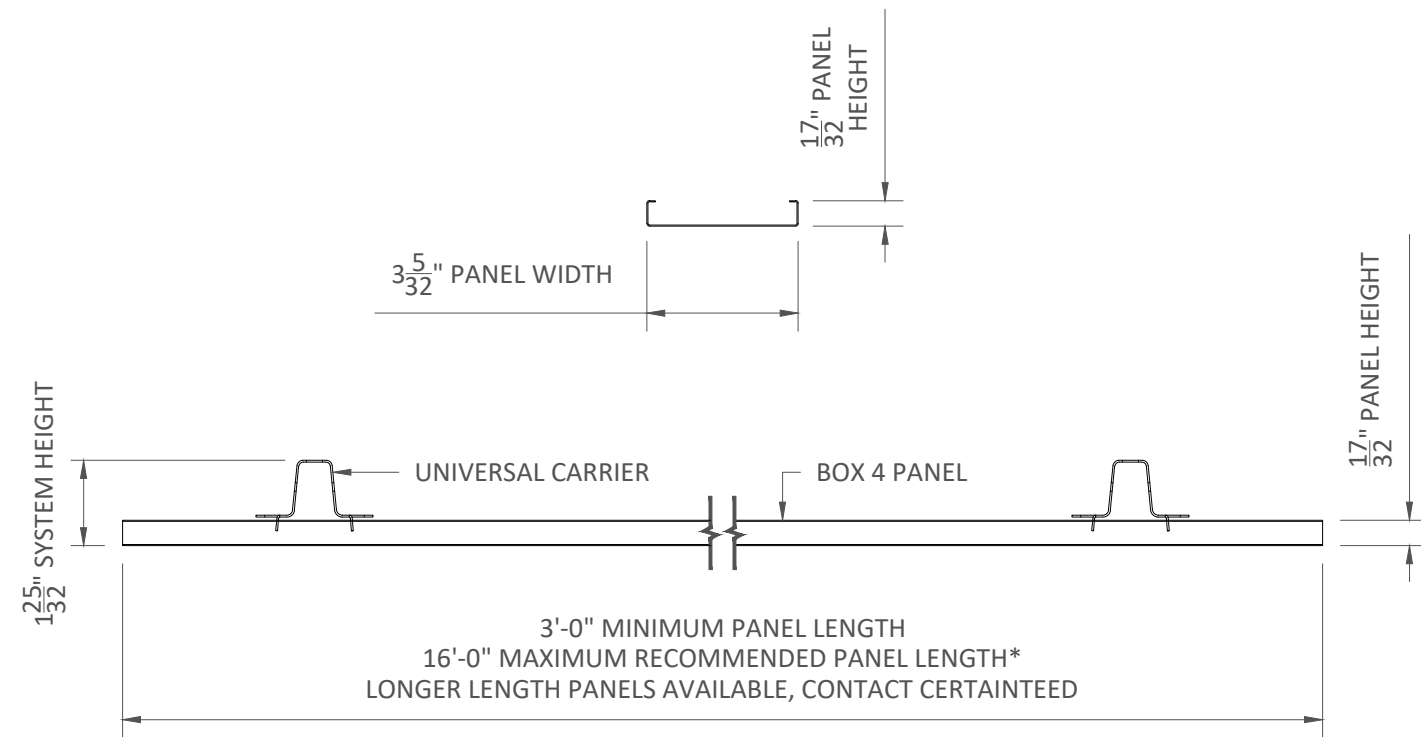
5015 Oakbrook Parkway, Suite 100
Norcross, GA 30093
O 800 366 4327
F 770 806 0214
www.certainteed.com/architectural

SPECIFICATIONS
(unless noted otherwise)

MATERIAL: .020" | .025" | .032" ALUMINUM BOX 4 PANEL | .040" ALUMINUM
UNIVERSAL CARRIER
FINISH: PAINT | POWDER COAT | DECORATED WOOD FINISH | WOOD
VENEER | LUXACOTE
PERFORATION: NON-PERFORATED | #160

OVERALL ISOMETRIC VIEW
PROJECT: BOX 4 PRODUCT SPECIFICATIONS
DRAWING NUMBER: BOX4-A1.0
SCALE: AS SHOWN
DRAWN BY: CTA ENGINEERING
DATE: 6/1/21

These drawings show typical conditions for installing the CertainTeed product shown. They should not be construed as a substitute for an architectural or engineering design and do not reflect the unique requirements of local codes, laws, statutes or regulations that may be applicable for a specific installation. CertainTeed assumes no liability for the accuracy or completeness of the drawings for a specific installation or the fitness of the drawings for a particular purpose. The user is advised to consult with local licensed design professionals in order to assure compliance with all legal requirements. CertainTeed is not licensed to provide professional engineering or architectural services.

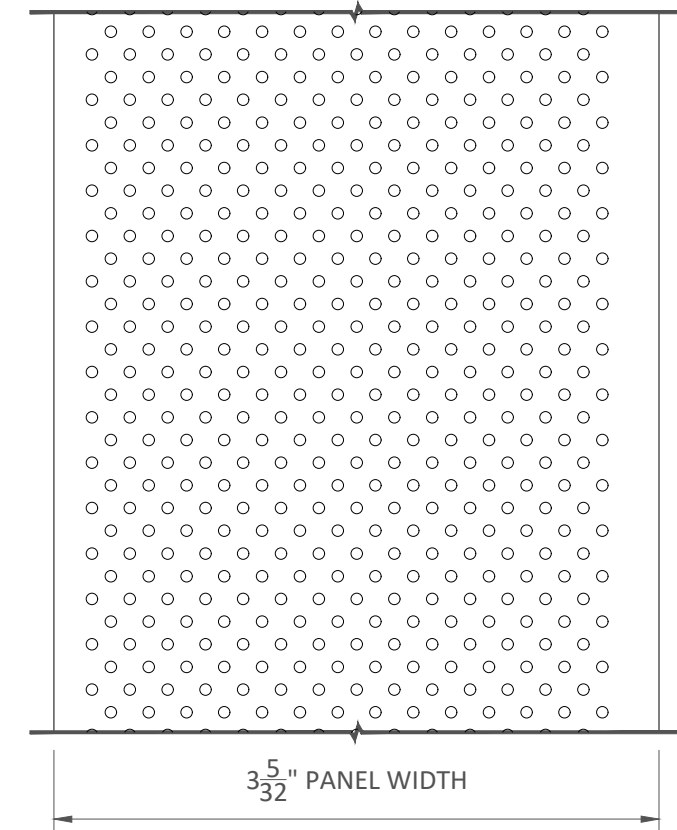


FACTORY END & SIDE PANEL VIEW

SCALE: 3" = 1'-0"

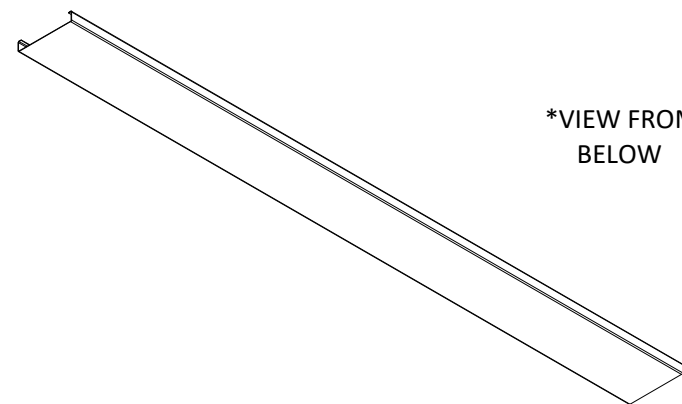
*PANEL LENGTHS AVAILABLE IN $\pm\frac{1}{8}$ " TOLERANCE, MINIMUM QUANTITIES MAY APPLY

PERFORATION #160:
PERF. AREA 23% OPEN
HOLE DIAMETER 0.060"



AVAILABLE PERFORATIONS

SCALE: FULL (1:1)



MATERIAL THICKNESS

BOX 4: .020", .025", OR .032" ALUMINUM

PANEL FINISHES

PAINTED & POWDER COATED - INTERIOR & EXTERIOR

LUXACOTE - INTERIOR & EXTERIOR

DECORATED WOOD FINISH (POWDER COATED) - INTERIOR & EXTERIOR

WOOD VENEER - RECOMMENDED INTERIOR ONLY

10'-0" MAXIMUM RECOMMENDED PANEL LENGTH WITHOUT FINGER-JOINTING OF VENEER

16'-0" MAXIMUM RECOMMENDED PANEL LENGTH WITH FINGER-JOINTING OF VENEER

PANEL MATERIALS & FINISHES

SCALE: NOT TO SCALE

ARCHITECTURAL

CertainTeed
SAINT-GOBAIN

5015 Oakbrook Parkway, Suite 100
Norcross, GA 30093
O 800 366 4327
F 770 806 0214
www.certainteed.com/architectural

SPECIFICATIONS

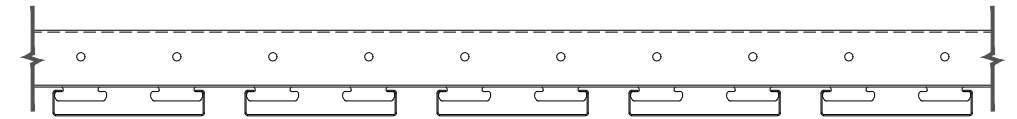
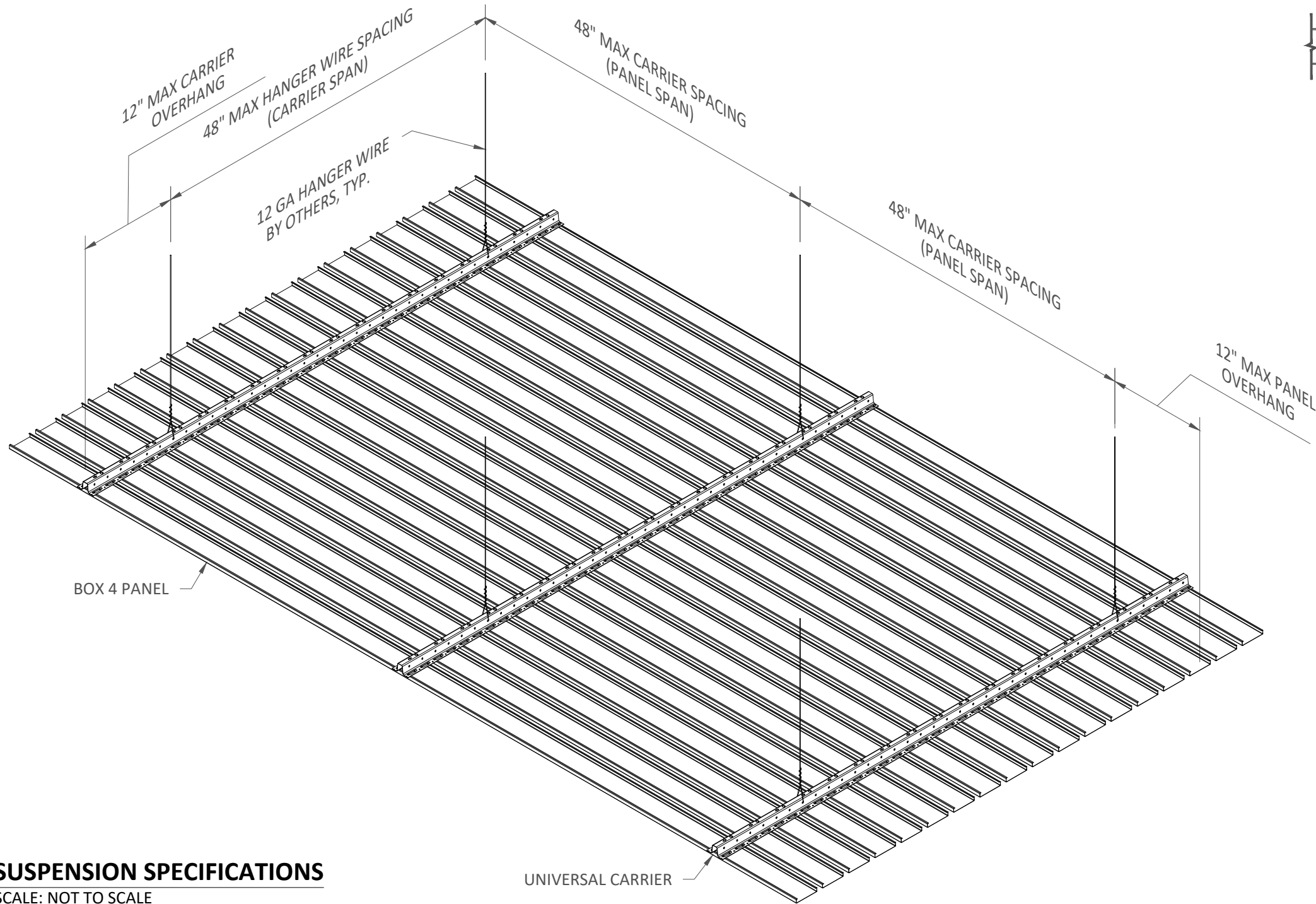
(unless noted otherwise)

MATERIAL: .020" | .025" | .032" ALUMINUM BOX 4 PANEL | .040" ALUMINUM
UNIVERSAL CARRIER
FINISH: PAINT | POWDER COAT | DECORATED WOOD FINISH | WOOD
VENEER | LUXACOTE
PERFORATION: NON-PERFORATED | #160

PANEL SPECIFICATIONS

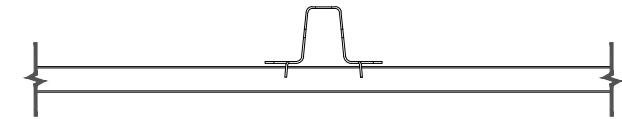
PROJECT: BOX 4 PRODUCT SPECIFICATIONS
DRAWING NUMBER: BOX4-A1.1
SCALE: AS SHOWN
DRAWN BY: CTA ENGINEERING
DATE: 6/1/21

These drawings show typical conditions for installing the CertainTeed product shown. They should not be construed as a substitute for an architectural or engineering design and do not reflect the unique requirements of local codes, laws, statutes or regulations that may be applicable for a specific installation. CertainTeed assumes no liability for the accuracy or completeness of the drawings for a specific installation or the fitness of the drawings for a particular purpose. The user is advised to consult with local licensed design professionals in order to assure compliance with all legal requirements. CertainTeed is not licensed to provide professional engineering or architectural services.



SIDE VIEW OF UNIVERSAL CARRIER WITH PANEL

SCALE: 3" = 1'-0"



END VIEW OF UNIVERSAL CARRIER WITH PANEL

SCALE: 3" = 1'-0"

UNIVERSAL CARRIER*

MATERIAL: 0.040" ALUMINUM

FINISH: MATTE BLACK

PART LENGTH: 16'-0"

*CARRIER SPLICE REQUIRED, SEE DETAIL A1.5

SUSPENSION SPECIFICATIONS

SCALE: NOT TO SCALE

INTERIOR INSTALLATION

ARCHITECTURAL

CertainTeed
SAINT-GOBAIN

5015 Oakbrook Parkway, Suite 100
Norcross, GA 30093
O 800 366 4327
F 770 806 0214
www.certainteed.com/architectural

SPECIFICATIONS

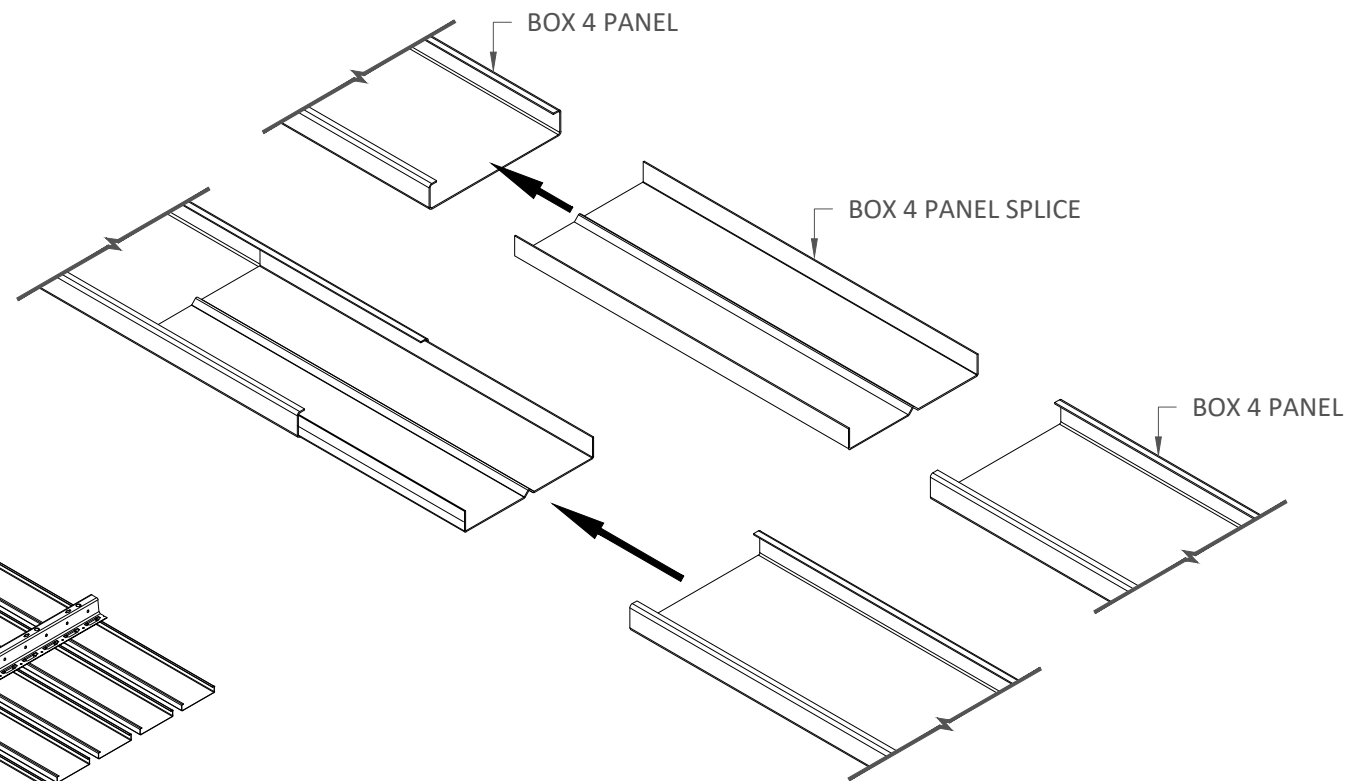
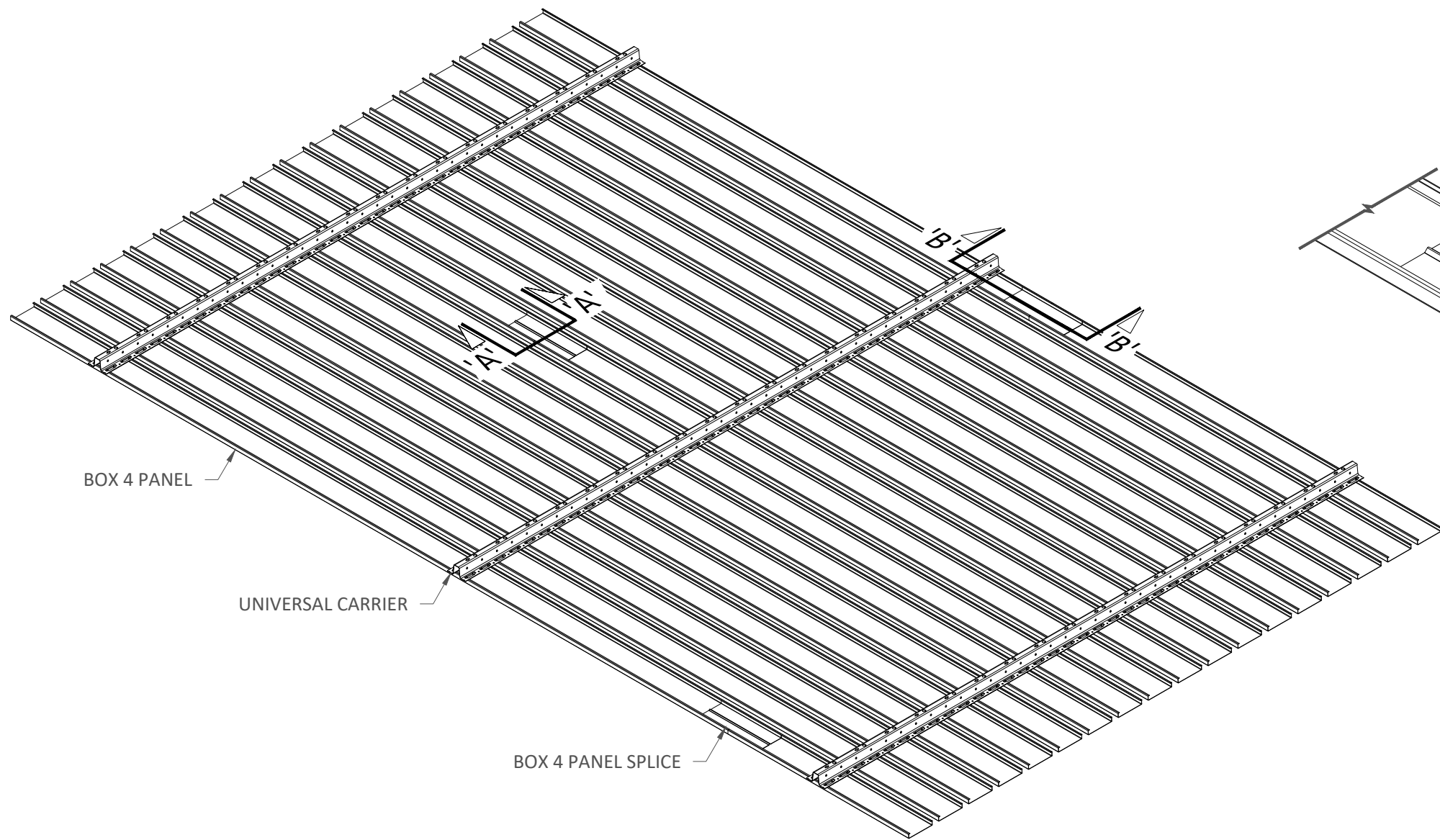
(unless noted otherwise)

MATERIAL: .020" | .025" | .032" ALUMINUM BOX 4 PANEL | .040" ALUMINUM
UNIVERSAL CARRIER
FINISH: PAINT | POWDER COAT | DECORATED WOOD FINISH | WOOD
VENEER | LUXACOTE
PERFORATION: NON-PERFORATED | #160

CARRIER SPECIFICATIONS

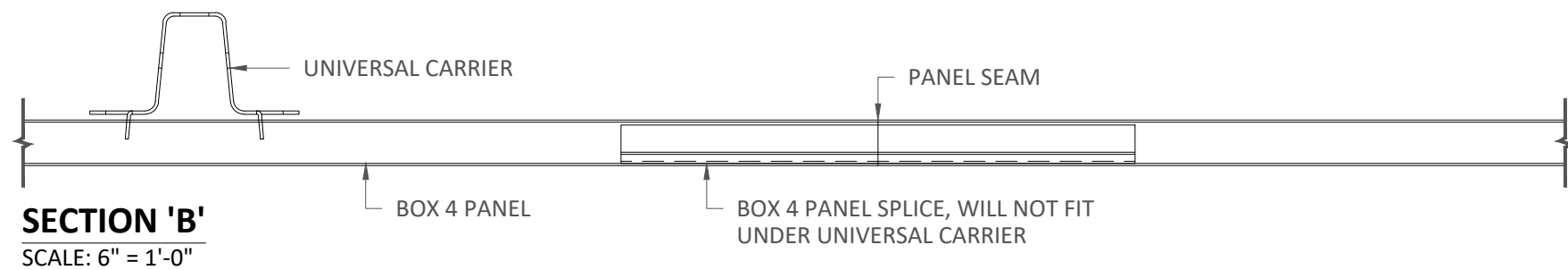
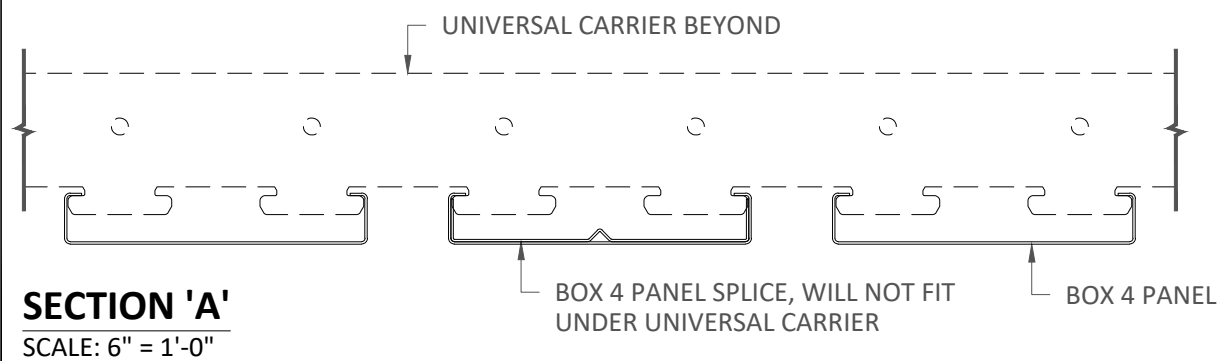
PROJECT: BOX 4 PRODUCT SPECIFICATIONS
DRAWING NUMBER: BOX4-A1.2
SCALE: AS SHOWN
DRAWN BY: CTA ENGINEERING
DATE: 6/1/21

These drawings show typical conditions for installing the CertainTeed product shown. They should not be construed as a substitute for an architectural or engineering design and do not reflect the unique requirements of local codes, laws, statutes or regulations that may be applicable for a specific installation. CertainTeed assumes no liability for the accuracy or completeness of the drawings for a specific installation or the fitness of the drawings for a particular purpose. The user is advised to consult with local licensed design professionals in order to assure compliance with all legal requirements. CertainTeed is not licensed to provide professional engineering or architectural services.



NOTE 1:
DO NOT SPLICE PANELS DIRECTLY BELOW UNIVERSAL CARRIERS.
PANEL SPLICES DO NOT FIT UNDER CARRIERS.

NOTE 2:
FIELD CUT PANELS AS REQUIRED TO CREATE A RANDOM
STAGGERED SEAM PATTERN. AVOID ALIGNED SEAMS.



INTERIOR INSTALLATION

*HANGER WIRE OMITTED FOR CLARITY

ARCHITECTURAL

CertainTeed
SAINT-GOBAIN

5015 Oakbrook Parkway, Suite 100
Norcross, GA 30093
O 800 366 4327
F 770 806 0214
www.certainteed.com/architectural

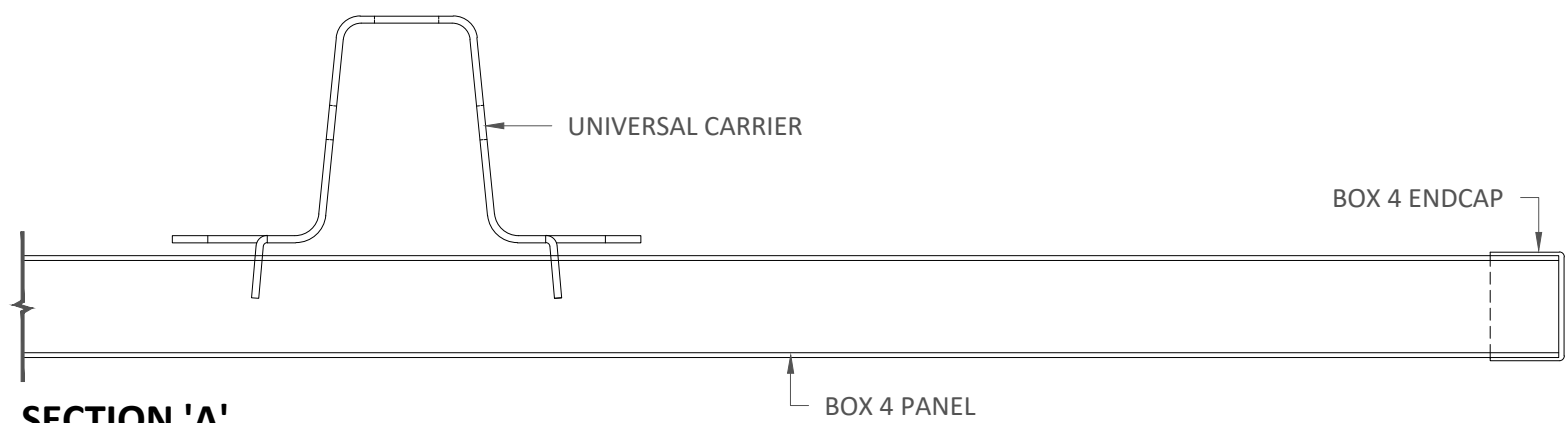
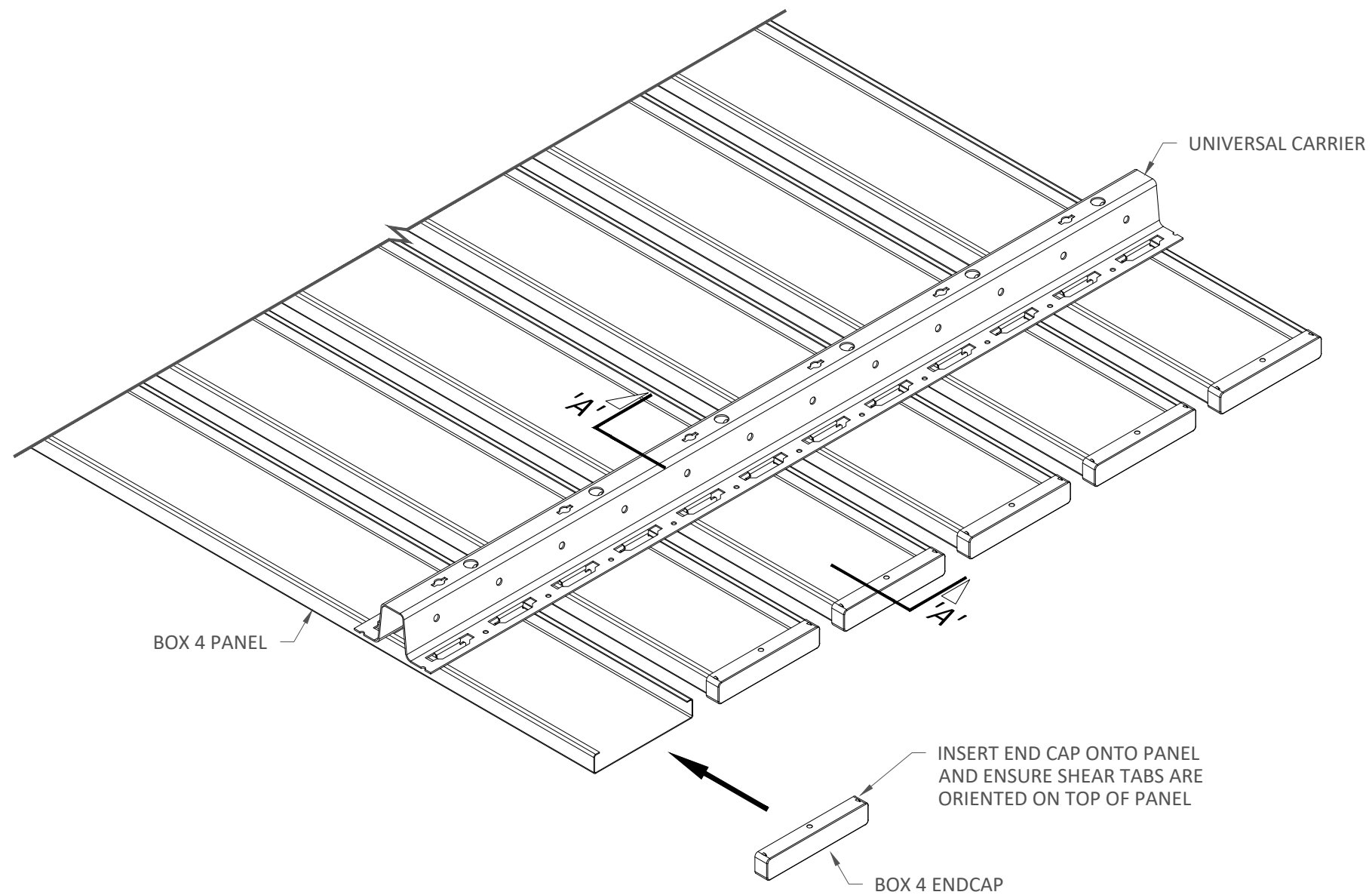
SPECIFICATIONS

(unless noted otherwise)
MATERIAL: .020" | .025" | .032" ALUMINUM BOX 4 PANEL | .040" ALUMINUM
UNIVERSAL CARRIER
FINISH: PAINT | POWDER COAT | DECORATED WOOD FINISH | WOOD
VENEER | LUXACOTE
PERFORATION: NON-PERFORATED | #160

PANEL SPLICE

PROJECT: BOX 4 PRODUCT SPECIFICATIONS
DRAWING NUMBER: BOX4-A1.3
SCALE: AS SHOWN
DRAWN BY: CTA ENGINEERING
DATE: 6/1/21

These drawings show typical conditions for installing the CertainTeed product shown. They should not be construed as a substitute for an architectural or engineering design and do not reflect the unique requirements of local codes, laws, statutes or regulations that may be applicable for a specific installation. CertainTeed assumes no liability for the accuracy or completeness of the drawings for a specific installation or the fitness of the drawings for a particular purpose. The user is advised to consult with local licensed design professionals in order to assure compliance with all legal requirements. CertainTeed is not licensed to provide professional engineering or architectural services.



SECTION 'A'
SCALE: FULL (1:1)

*HANGER WIRE SUPPORT OMITTED FOR CLARITY



5015 Oakbrook Parkway, Suite 100
Norcross, GA 30093
O 800 366 4327
F 770 806 0214
www.certainteed.com/architectural

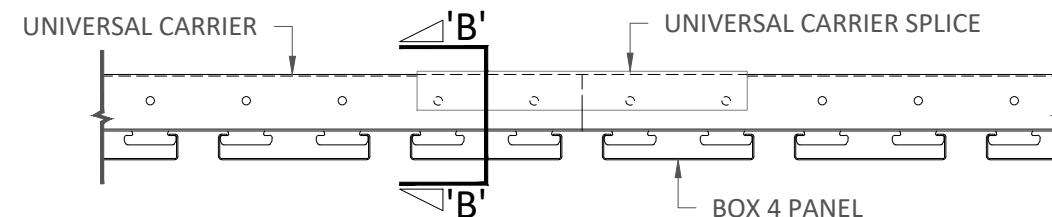
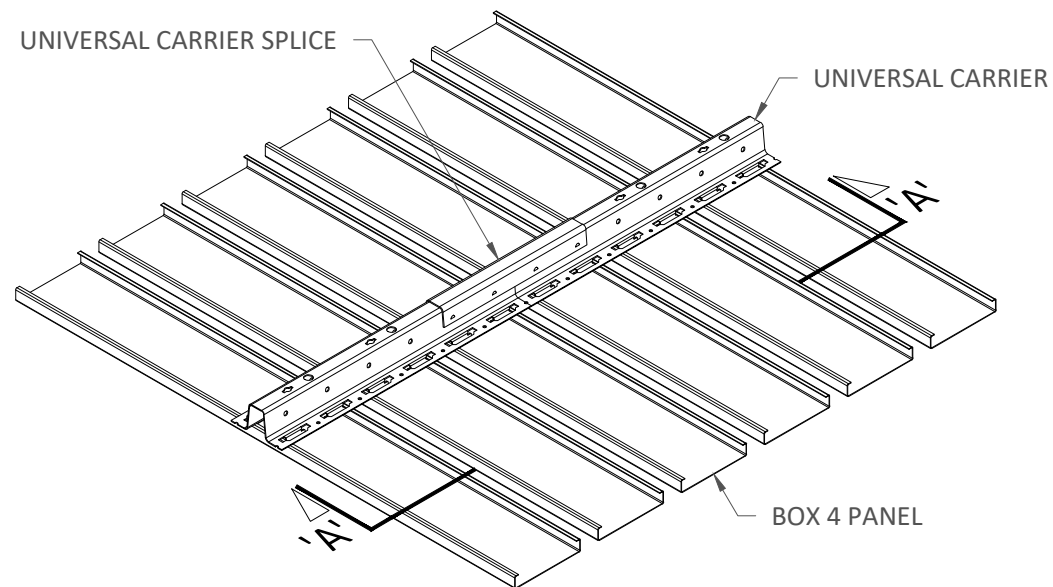
SPECIFICATIONS

(unless noted otherwise)
MATERIAL: .020" | .025" | .032" ALUMINUM BOX 4 PANEL | .040" ALUMINUM
UNIVERSAL CARRIER
FINISH: PAINT | POWDER COAT | DECORATED WOOD FINISH | WOOD
VENEER | LUXACOTE
PERFORATION: NON-PERFORATED | #160

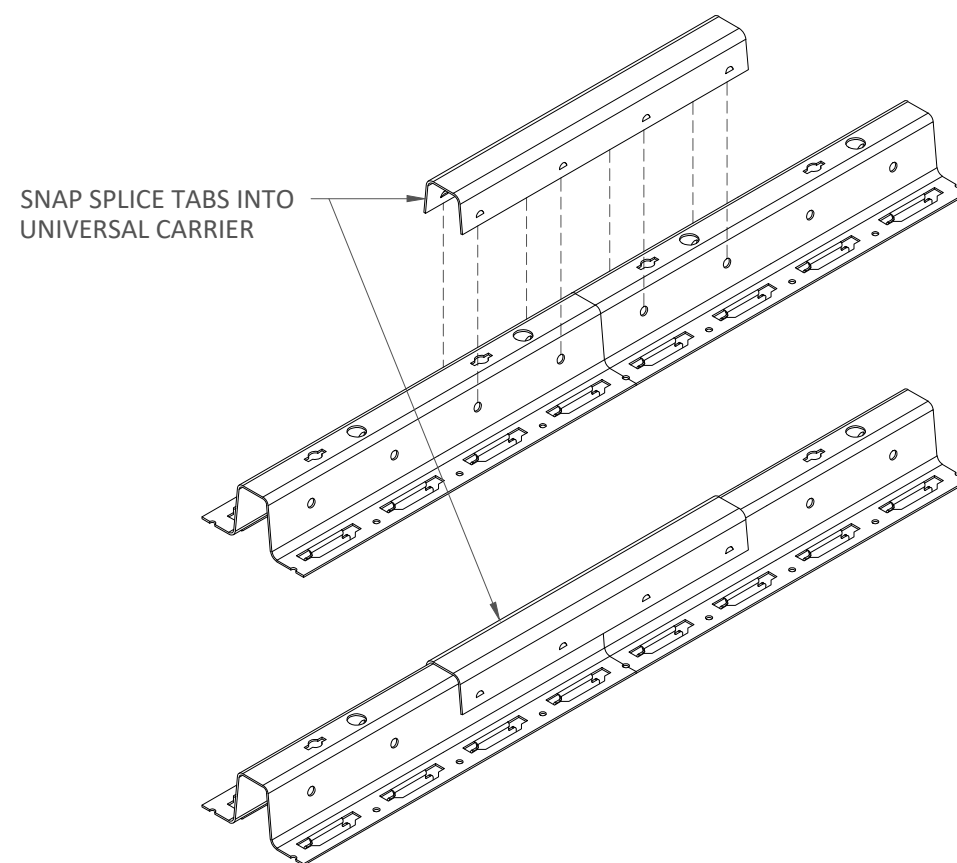
PANEL END CAP

PROJECT: BOX 4 PRODUCT SPECIFICATIONS
DRAWING NUMBER: BOX4-A1.4
SCALE: AS SHOWN
DRAWN BY: CTA ENGINEERING
DATE: 6/1/21

These drawings show typical conditions for installing the CertainTeed product shown. They should not be construed as a substitute for an architectural or engineering design and do not reflect the unique requirements of local codes, laws, statutes or regulations that may be applicable for a specific installation. CertainTeed assumes no liability for the accuracy or completeness of the drawings for a specific installation or the fitness of the drawings for a particular purpose. The user is advised to consult with local licensed design professionals in order to assure compliance with all legal requirements. CertainTeed is not licensed to provide professional engineering or architectural services.

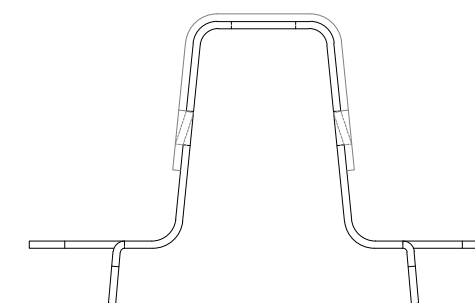


SECTION 'A'
SCALE: 3" = 1'-0"



IF THE DESIRED CARRIER LENGTH EXCEEDS THE MAXIMUM OF 16'-0", USE A UNIVERSAL CARRIER SPLICE TO CONNECT THE FACTORY CARRIER ENDS.

THE TABS OF THE SPLICE SNAP INTO THE HOLES IN THE CARRIER AND ADDITIONAL FIXING IS NOT NECESSARY. THE MODULE IS CONTINUED AUTOMATICALLY.



SECTION 'B'
SCALE: FULL (1:1)

INTERIOR INSTALLATION

*HANGER WIRE OMITTED FOR CLARITY

ARCHITECTURAL

CertainTeed
SAINT-GOBAIN

5015 Oakbrook Parkway, Suite 100
Norcross, GA 30093
O 800 366 4327
F 770 806 0214
www.certainteed.com/architectural

SPECIFICATIONS

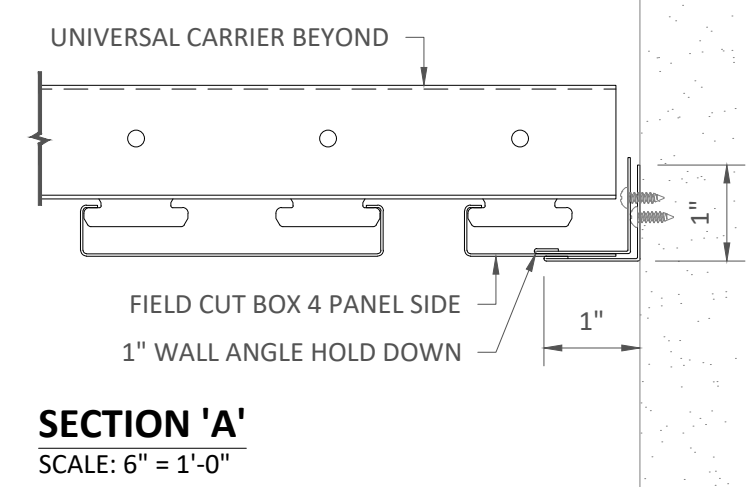
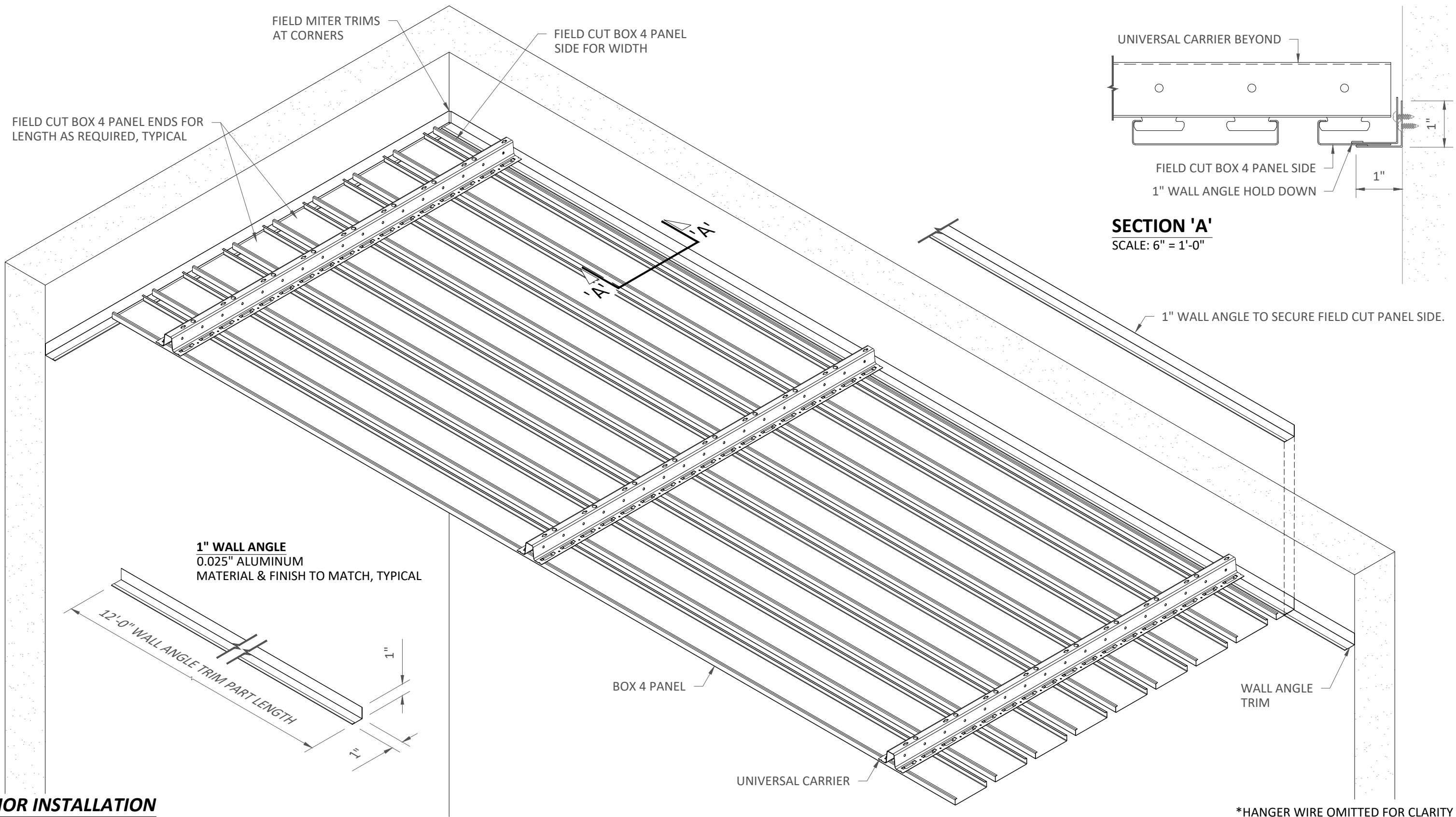
(unless noted otherwise)

MATERIAL: .020" | .025" | .032" ALUMINUM BOX 4 PANEL | .040" ALUMINUM
UNIVERSAL CARRIER
FINISH: PAINT | POWDER COAT | DECORATED WOOD FINISH | WOOD
VENEER | LUXACOTE
PERFORATION: NON-PERFORATED | #160

UNIVERSAL CARRIER SPLICE

PROJECT: BOX 4 PRODUCT SPECIFICATIONS
DRAWING NUMBER: BOX4-A1.5
SCALE: AS SHOWN
DRAWN BY: CTA ENGINEERING
DATE: 6/1/21

These drawings show typical conditions for installing the CertainTeed product shown. They should not be construed as a substitute for an architectural or engineering design and do not reflect the unique requirements of local codes, laws, statutes or regulations that may be applicable for a specific installation. CertainTeed assumes no liability for the accuracy or completeness of the drawings for a specific installation or the fitness of the drawings for a particular purpose. The user is advised to consult with local licensed design professionals in order to assure compliance with all legal requirements. CertainTeed is not licensed to provide professional engineering or architectural services.



INTERIOR INSTALLATION

*HANGER WIRE OMITTED FOR CLARITY

ARCHITECTURAL

CertainTeed
SAINT-GOBAIN

5015 Oakbrook Parkway, Suite 100
Norcross, GA 30093
O 800 366 4327
F 770 806 0214
www.certainteed.com/architectural

These drawings show typical conditions for installing the CertainTeed product shown. They should not be construed as a substitute for an architectural or engineering design and do not reflect the unique requirements of local codes, laws, statutes or regulations that may be applicable for a specific installation. CertainTeed assumes no liability for the accuracy or completeness of the drawings for a specific installation or the fitness of the drawings for a particular purpose. The user is advised to consult with local licensed design professionals in order to assure compliance with all legal requirements. CertainTeed is not licensed to provide professional engineering or architectural services.

SPECIFICATIONS
(unless noted otherwise)

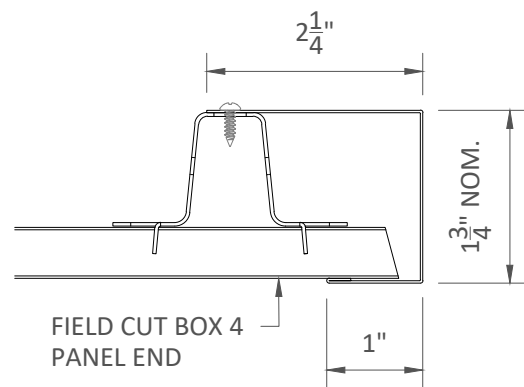
MATERIAL: .020" | .025" | .032" ALUMINUM BOX 4 PANEL | .040" ALUMINUM
UNIVERSAL CARRIER

FINISH: PAINT | POWDER COAT | DECORATED WOOD FINISH | WOOD
VENEER | LUXACOTE

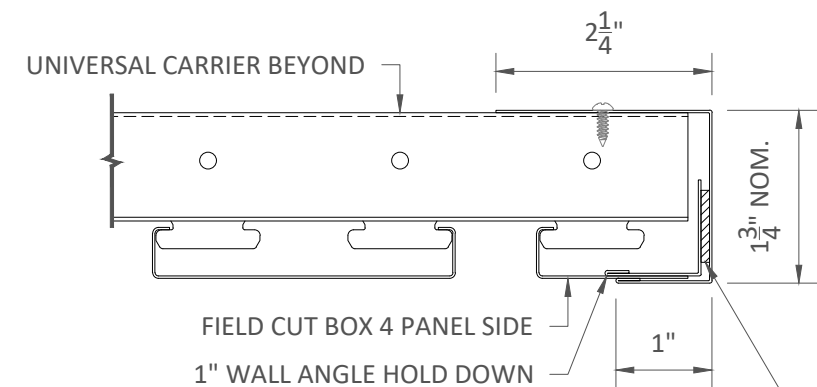
PERFORATION: NON-PERFORATED | #160

WALL ANGLE TRIM

PROJECT: BOX 4 PRODUCT SPECIFICATIONS
DRAWING NUMBER: BOX4-A1.6
SCALE: AS SHOWN
DRAWN BY: CTA ENGINEERING
DATE: 6/1/21

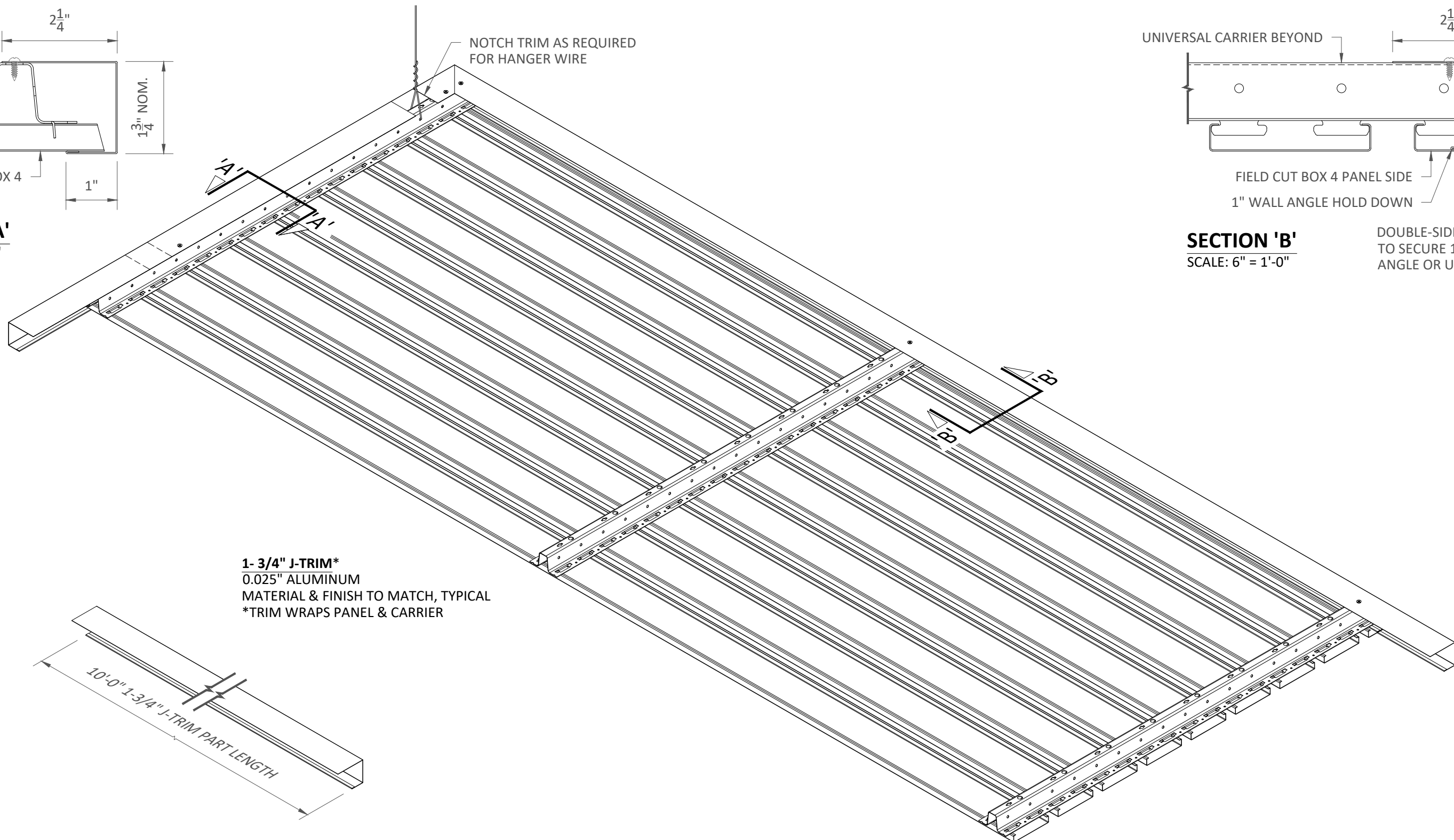


SECTION 'A'
SCALE: 6" = 1'-0"

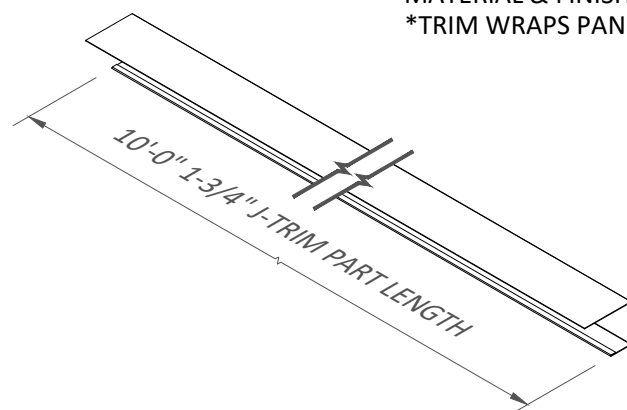


SECTION 'B'
SCALE: 6" = 1'-0"

DOUBLE-SIDED ADHESIVE TO SECURE 1" WALL ANGLE OR USE POP-RIVET



1- 3/4" J-TRIM*
0.025" ALUMINUM
MATERIAL & FINISH TO MATCH, TYPICAL
*TRIM WRAPS PANEL & CARRIER



INTERIOR INSTALLATION

*SOME HANGER WIRE OMITTED FOR CLARITY

ARCHITECTURAL

CertainTeed
SAINT-GOBAIN

5015 Oakbrook Parkway, Suite 100
Norcross, GA 30093
O 800 366 4327
F 770 806 0214
www.certainteed.com/architectural

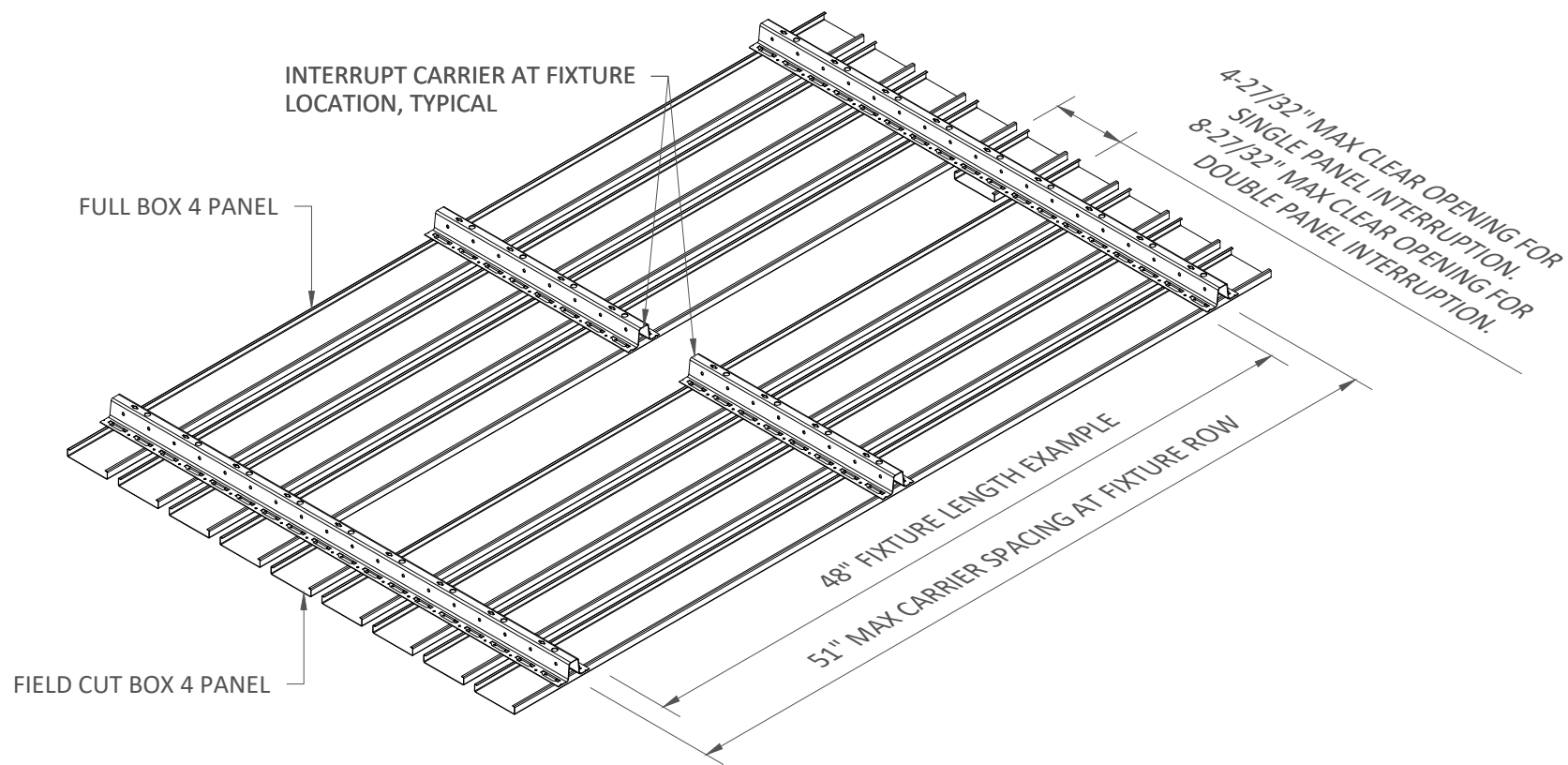
SPECIFICATIONS
(unless noted otherwise)

MATERIAL: .020" | .025" | .032" ALUMINUM BOX 4 PANEL | .040" ALUMINUM
UNIVERSAL CARRIER
FINISH: PAINT | POWDER COAT | DECORATED WOOD FINISH | WOOD
VENEER | LUXACOTE
PERFORATION: NON-PERFORATED | #160

FLOATING TRIM

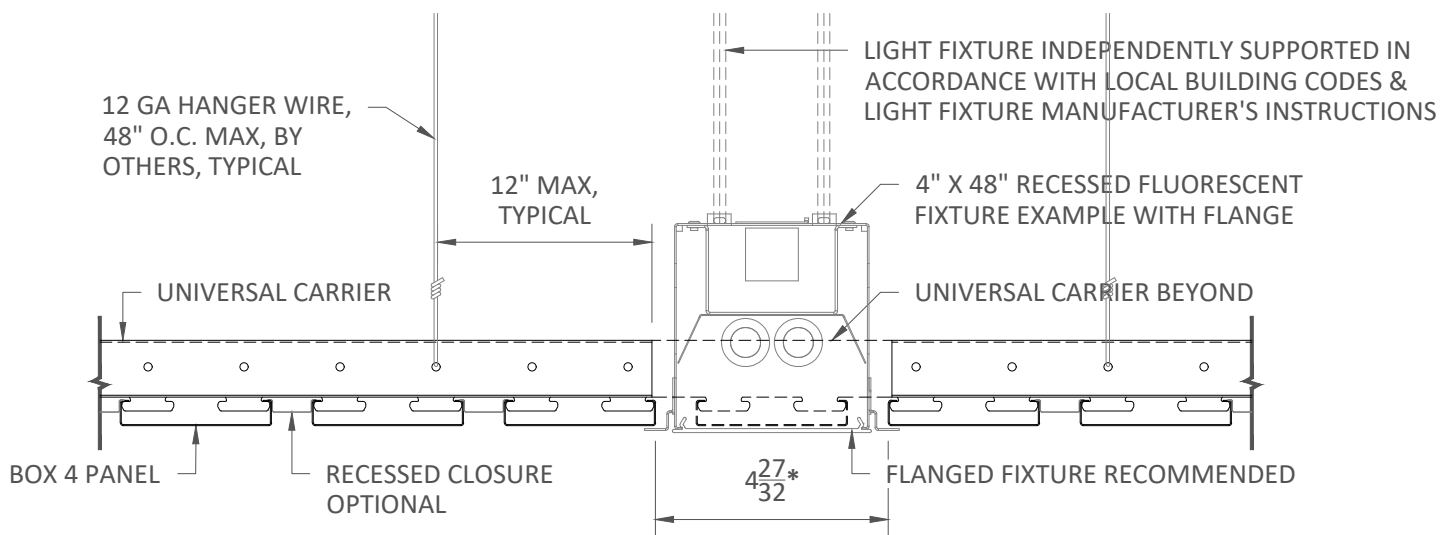
PROJECT: BOX 4 PRODUCT SPECIFICATIONS
DRAWING NUMBER: BOX4-A1.7
SCALE: AS SHOWN
DRAWN BY: CTA ENGINEERING
DATE: 6/1/21

These drawings show typical conditions for installing the CertainTeed product shown. They should not be construed as a substitute for an architectural or engineering design and do not reflect the unique requirements of local codes, laws, statutes or regulations that may be applicable for a specific installation. CertainTeed assumes no liability for the accuracy or completeness of the drawings for a specific installation or the fitness of the drawings for a particular purpose. The user is advised to consult with local licensed design professionals in order to assure compliance with all legal requirements. CertainTeed is not licensed to provide professional engineering or architectural services.



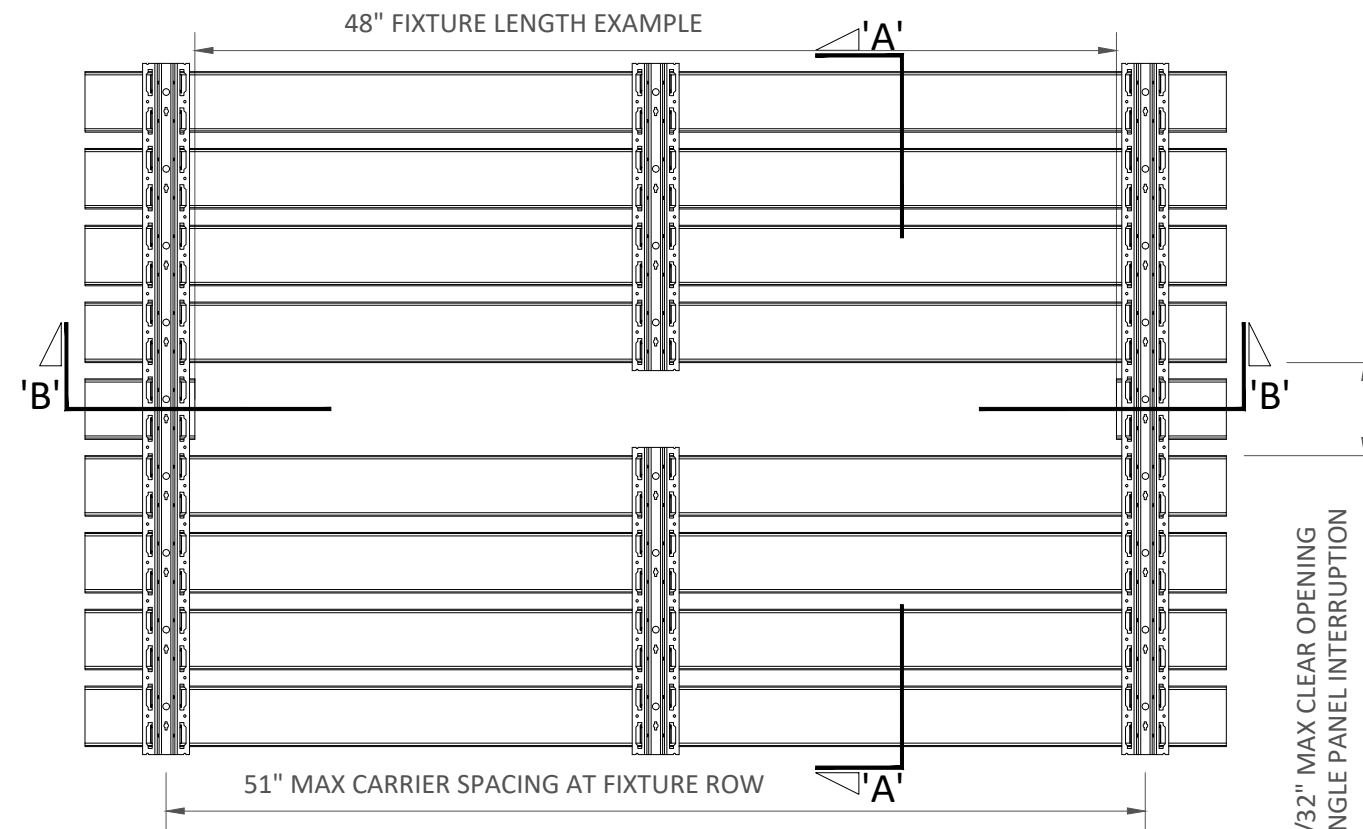
TYPICAL ISOMETRIC

SCALE: NOT TO SCALE



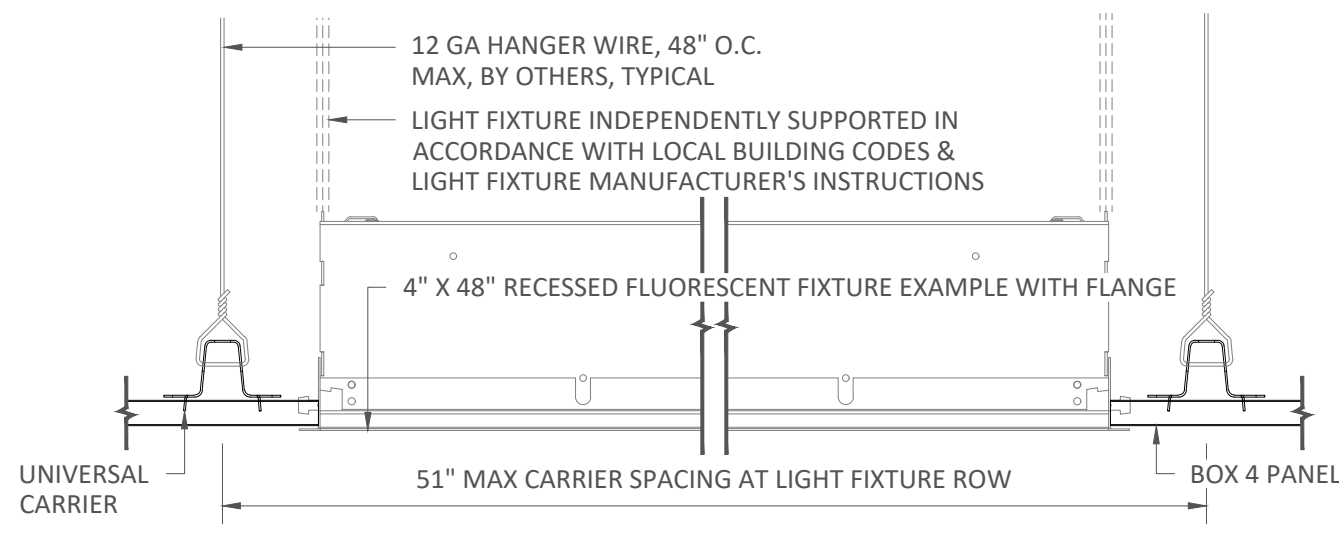
SECTION 'A'
SCALE: 3" = 1'-0"

* $4\frac{27}{32}$ " MAX CLEAR OPENING, PANEL EDGE TO PANEL EDGE, FOR SINGLE PANEL INTERRUPTION.
 $8\frac{27}{32}$ " MAX CLEAR OPENING, PANEL EDGE TO PANEL EDGE, FOR DOUBLE PANEL INTERRUPTION.



TOP VIEW

SCALE: NOT TO SCALE



SECTION 'B'
SCALE: 3" = 1'-0"

NOTE: FIXTURE WITH TRIM FLANGE NOT BY CERTAINTEED

ARCHITECTURAL

CertainTeed
SAINT-GOBAIN

5015 Oakbrook Parkway, Suite 100
 Norcross, GA 30093
 O 800 366 4327
 F 770 806 0214
www.certainteed.com/architectural

SPECIFICATIONS

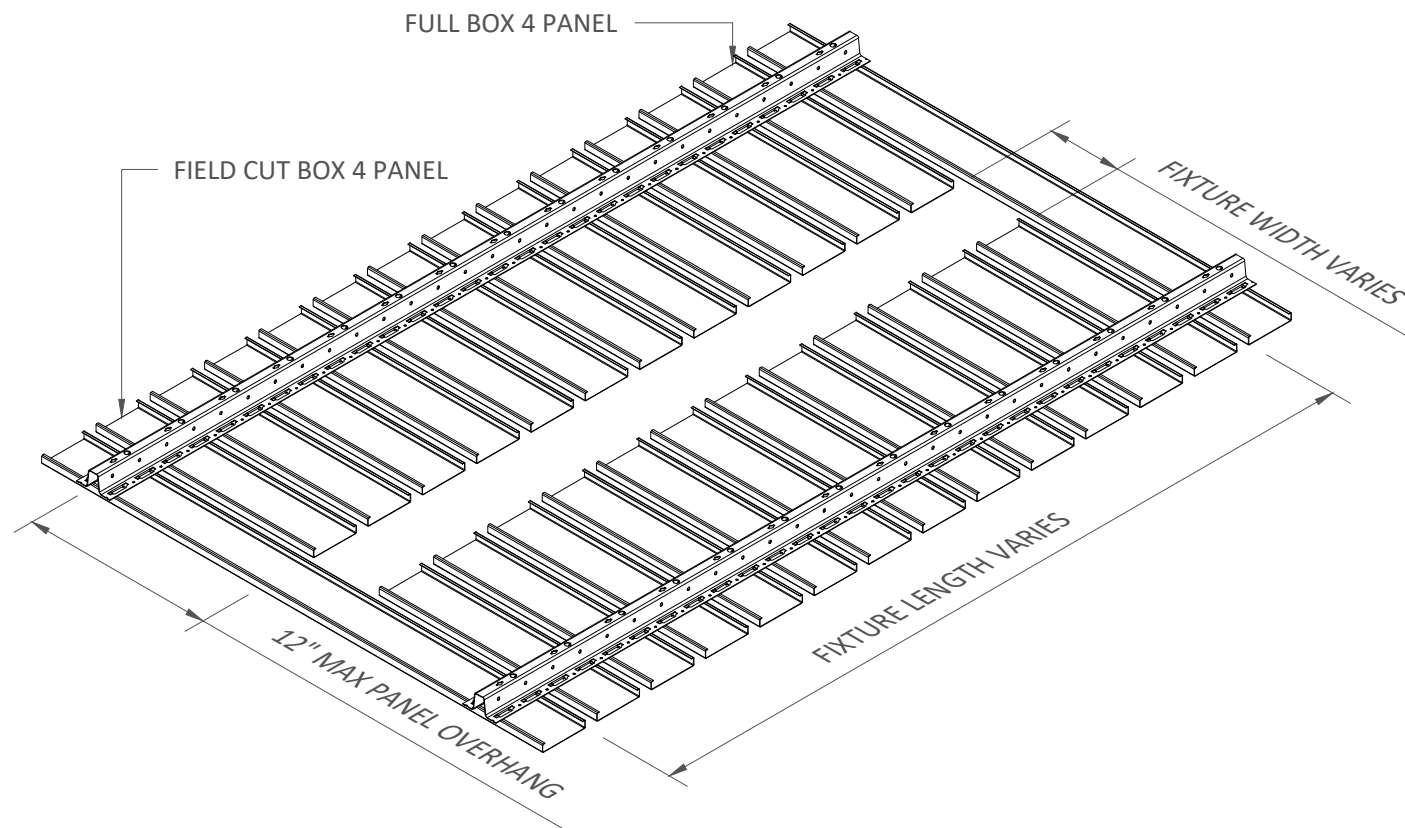
(unless noted otherwise)

MATERIAL: .020" | .025" | .032" ALUMINUM BOX 4 PANEL | .040" ALUMINUM
 UNIVERSAL CARRIER
 FINISH: PAINT | POWDER COAT | DECORATED WOOD FINISH | WOOD
 VENEER | LUXACOTE
 PERFORATION: NON-PERFORATED | #160

INTERRUPTED PANEL FOR TYPICAL FIXTURE

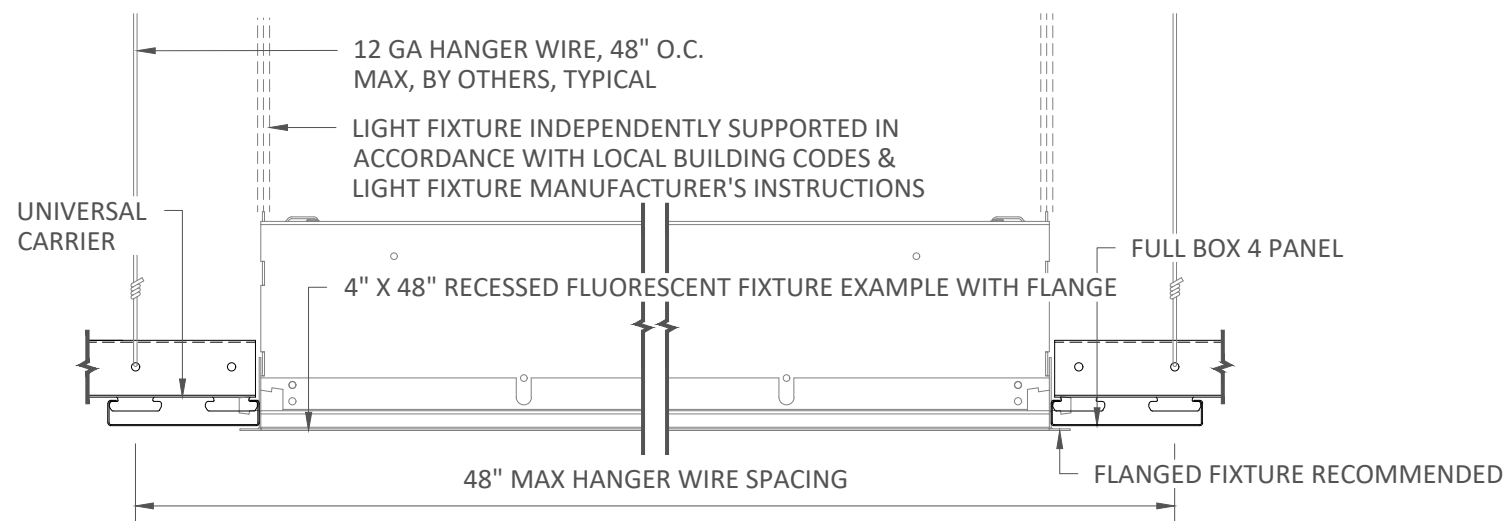
PROJECT: BOX 4 PRODUCT SPECIFICATIONS
 DRAWING NUMBER: BOX4-A1.8
 SCALE: AS SHOWN
 DRAWN BY: CTA ENGINEERING
 DATE: 6/1/21

These drawings show typical conditions for installing the CertainTeed product shown. They should not be construed as a substitute for an architectural or engineering design and do not reflect the unique requirements of local codes, laws, statutes or regulations that may be applicable for a specific installation. CertainTeed assumes no liability for the accuracy or completeness of the drawings for a specific installation or the fitness of the drawings for a particular purpose. The user is advised to consult with local licensed design professionals in order to assure compliance with all legal requirements. CertainTeed is not licensed to provide professional engineering or architectural services.



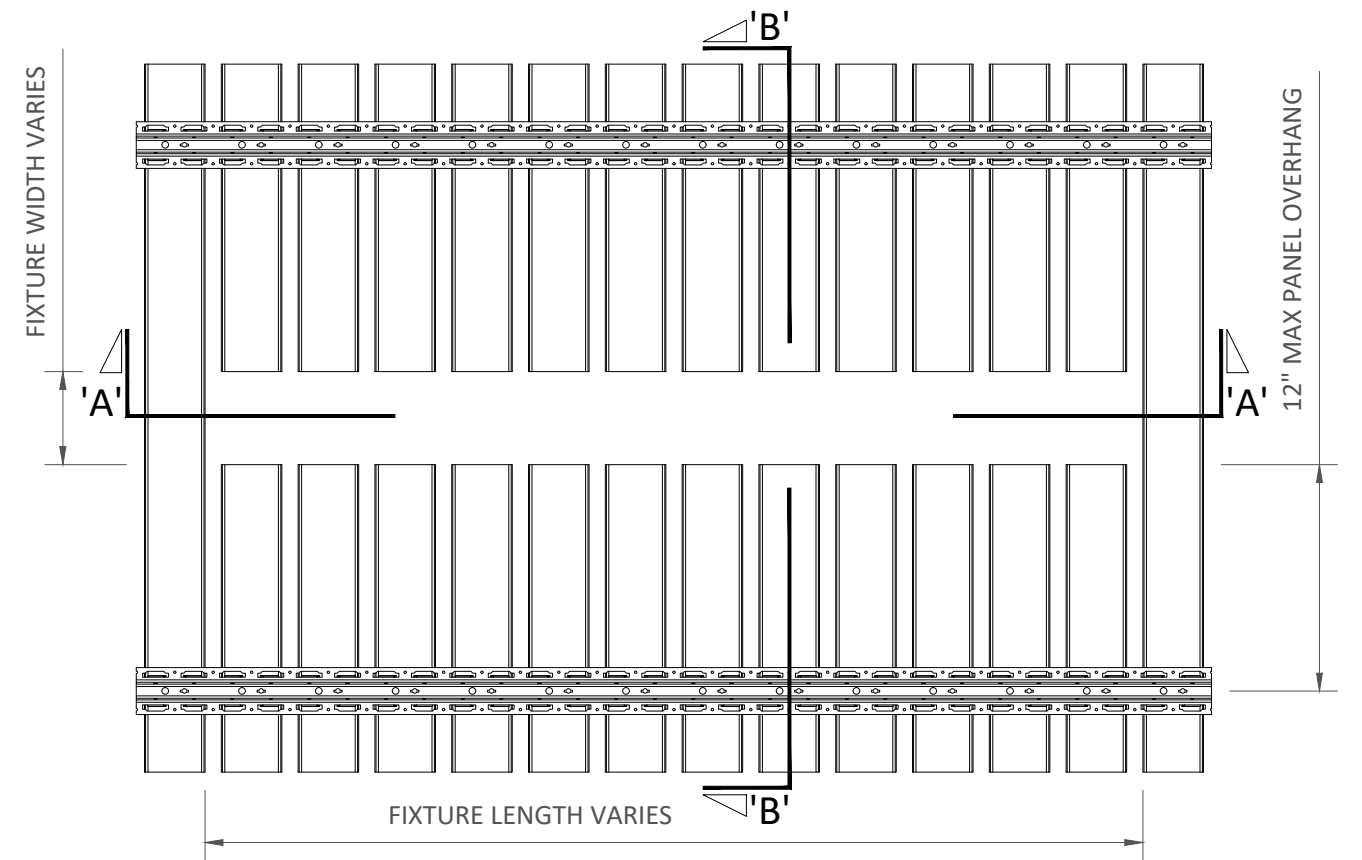
TYPICAL ISOMETRIC

SCALE: NOT TO SCALE



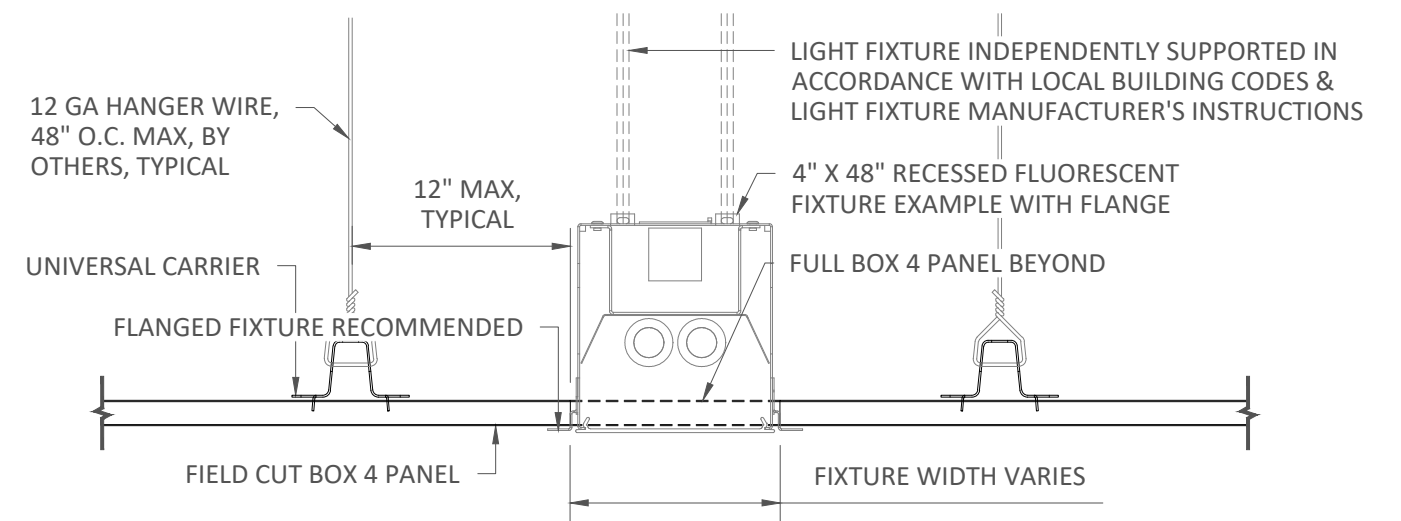
SECTION 'A'

SCALE: 3" = 1'-0"



TOP VIEW

SCALE: NOT TO SCALE



SECTION 'B'

SCALE: 3" = 1'-0"

NOTE: FIXTURE WITH TRIM FLANGE NOT BY CERTAINTEED



5015 Oakbrook Parkway, Suite 100
 Norcross, GA 30093
 O 800 366 4327
 F 770 806 0214
www.certainteed.com/architectural

SPECIFICATIONS

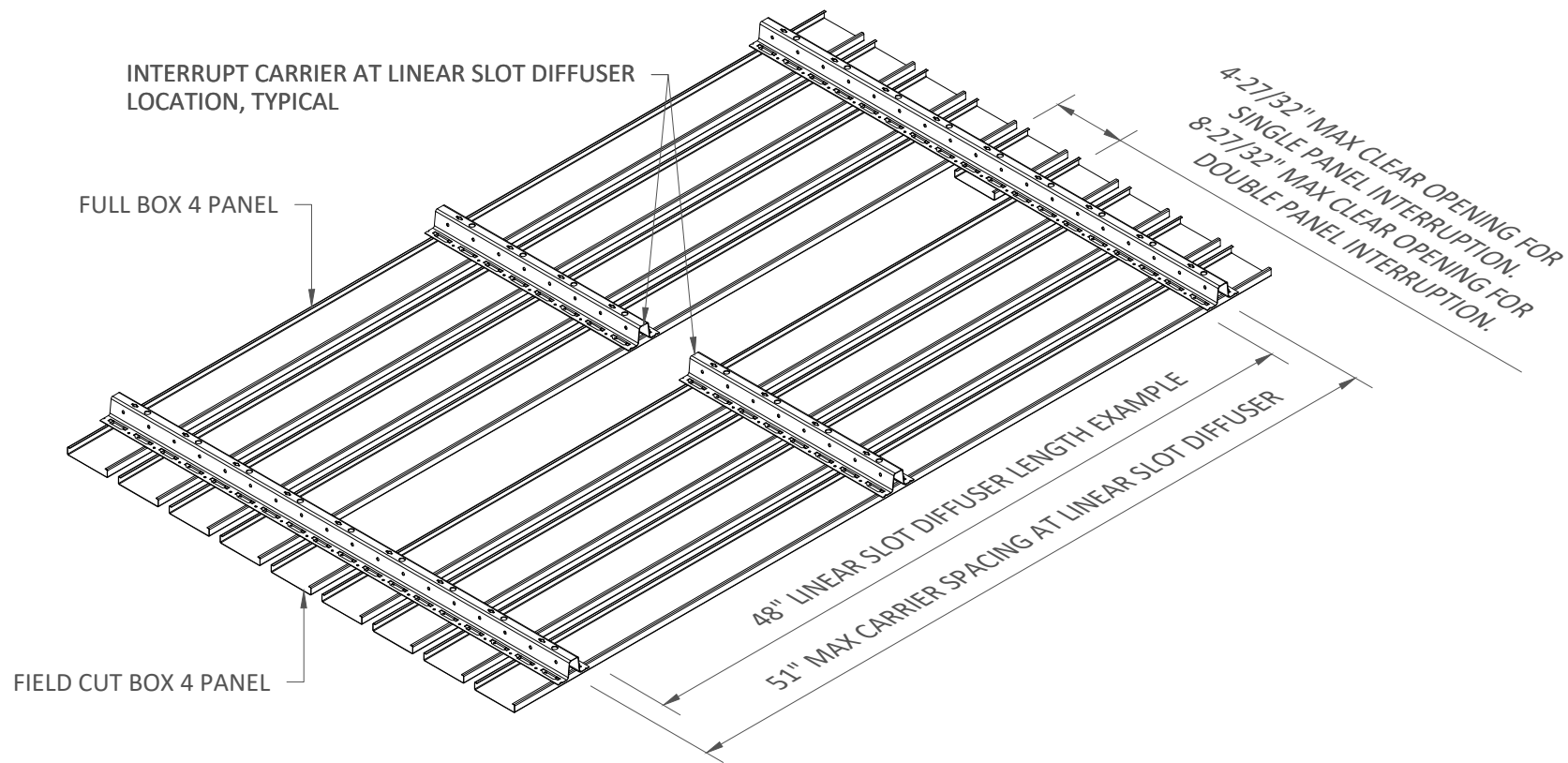
(unless noted otherwise)

MATERIAL: .020" | .025" | .032" ALUMINUM BOX 4 PANEL | .040" ALUMINUM
 UNIVERSAL CARRIER
 FINISH: PAINT | POWDER COAT | DECORATED WOOD FINISH | WOOD
 VENEER | LUXACOTE
 PERFORATION: NON-PERFORATED | #160

FIELD CUT PANEL FOR TYPICAL FIXTURE

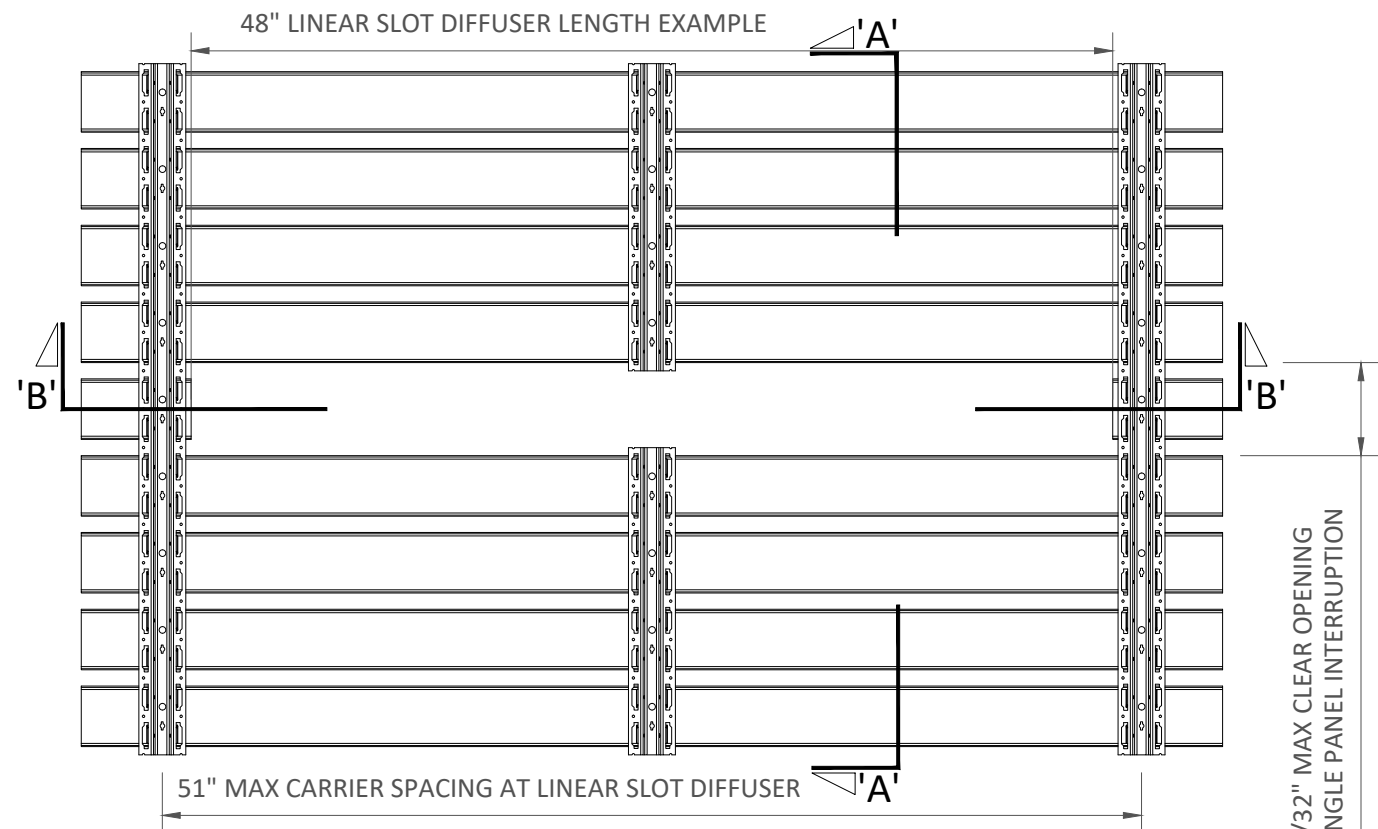
PROJECT: BOX 4 PRODUCT SPECIFICATIONS
 DRAWING NUMBER: BOX4-A1.9
 SCALE: AS SHOWN
 DRAWN BY: CTA ENGINEERING
 DATE: 6/1/21

These drawings show typical conditions for installing the CertainTeed product shown. They should not be construed as a substitute for an architectural or engineering design and do not reflect the unique requirements of local codes, laws, statutes or regulations that may be applicable for a specific installation. CertainTeed assumes no liability for the accuracy or completeness of the drawings for a specific installation or the fitness of the drawings for a particular purpose. The user is advised to consult with local licensed design professionals in order to assure compliance with all legal requirements. CertainTeed is not licensed to provide professional engineering or architectural services.



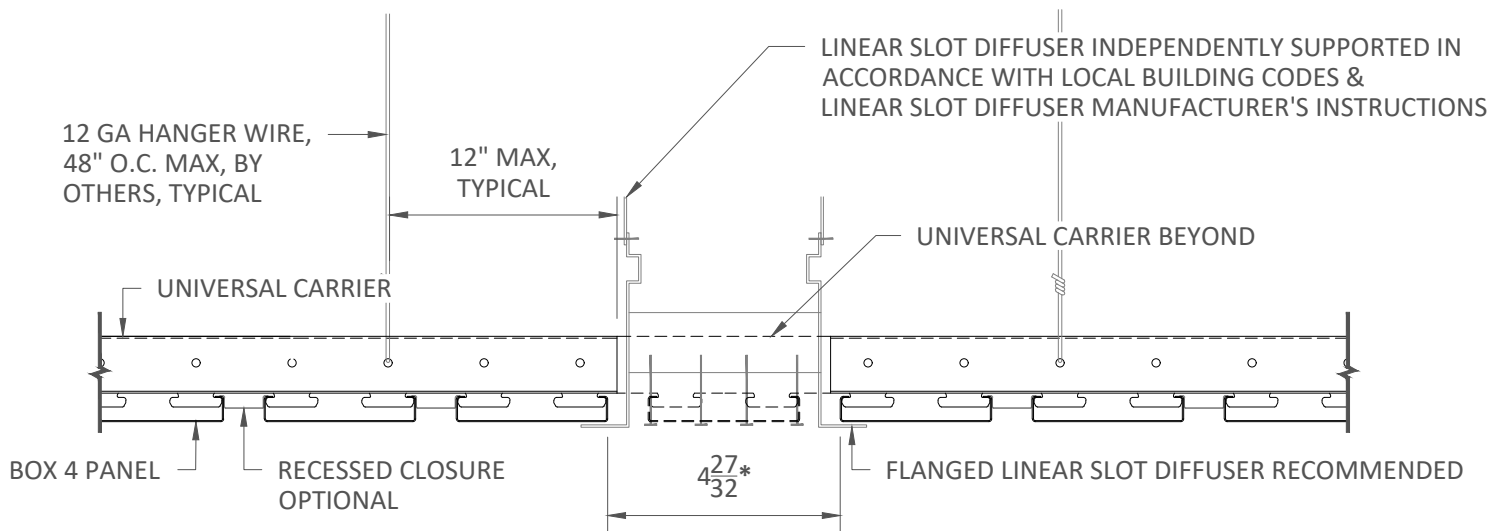
TYPICAL ISOMETRIC

SCALE: NOT TO SCALE



TOP VIEW

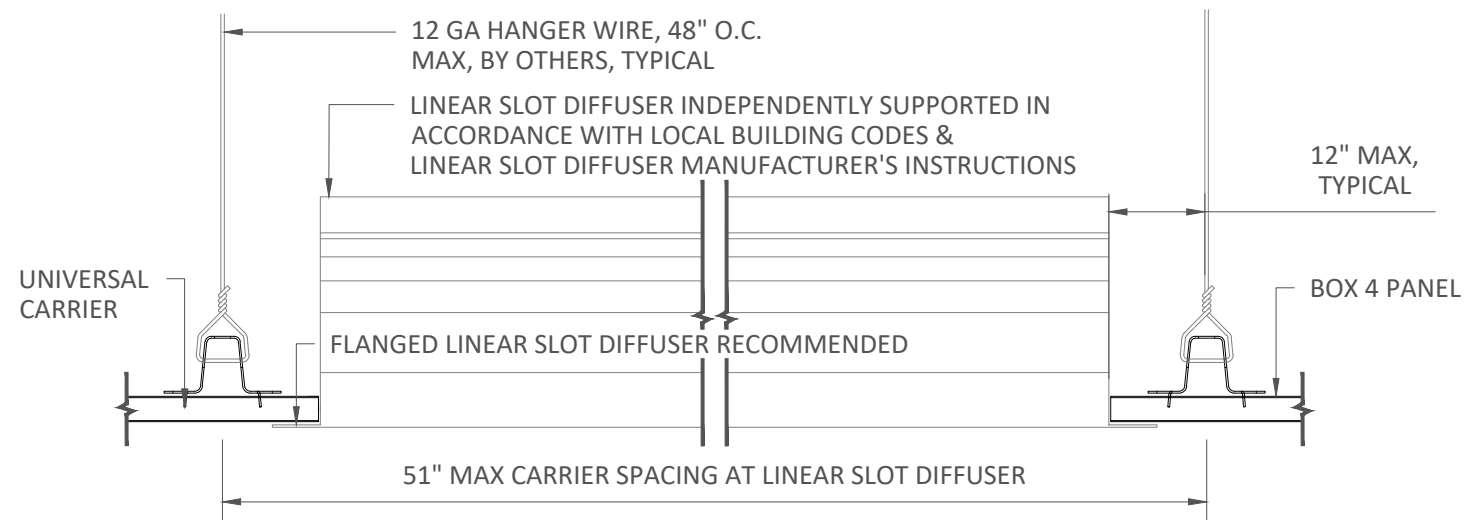
SCALE: NOT TO SCALE



SECTION 'A'

SCALE: 3" = 1'-0"

*4-27/32" MAX CLEAR OPENING, PANEL EDGE TO PANEL EDGE, FOR SINGLE PANEL INTERRUPTION.
8-27/32" MAX CLEAR OPENING, PANEL EDGE TO PANEL EDGE, FOR DOUBLE PANEL INTERRUPTION.



SECTION 'B'

SCALE: 3" = 1'-0"

NOTE: DIFFUSER WITH TRIM FLANGE NOT BY CERTAINTEED

ARCHITECTURAL

CertainTeed
SAINT-GOBAIN

5015 Oakbrook Parkway, Suite 100
Norcross, GA 30093
O 800 366 4327
F 770 806 0214
www.certainteed.com/architectural

SPECIFICATIONS

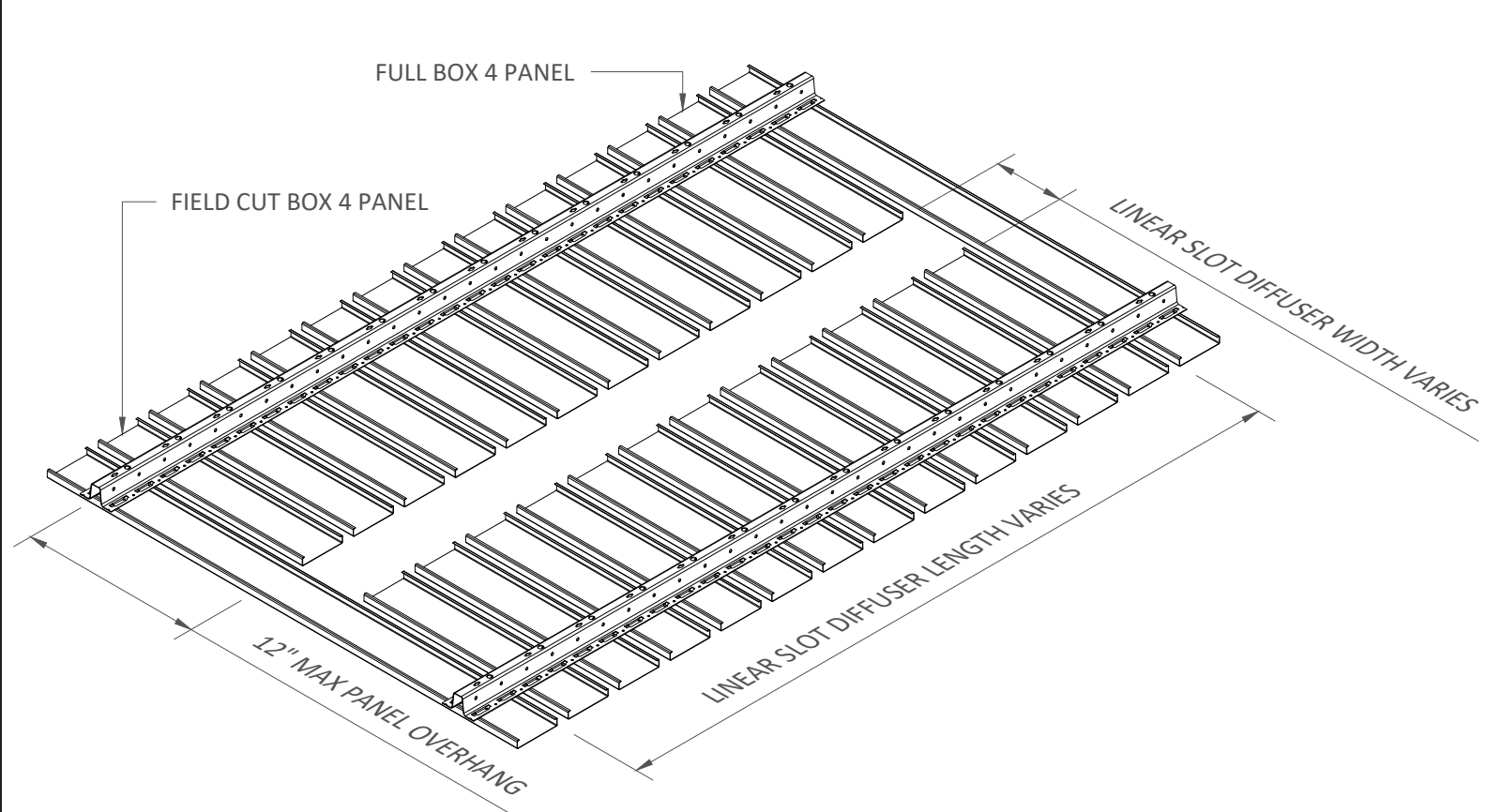
(unless noted otherwise)

MATERIAL: .020" | .025" | .032" ALUMINUM BOX 4 PANEL | .040" ALUMINUM
UNIVERSAL CARRIER
FINISH: PAINT | POWDER COAT | DECORATED WOOD FINISH | WOOD
VENEER | LUXACOTE
PERFORATION: NON-PERFORATED | #160

INTERRUPTED PANEL FOR TYPICAL DIFFUSER

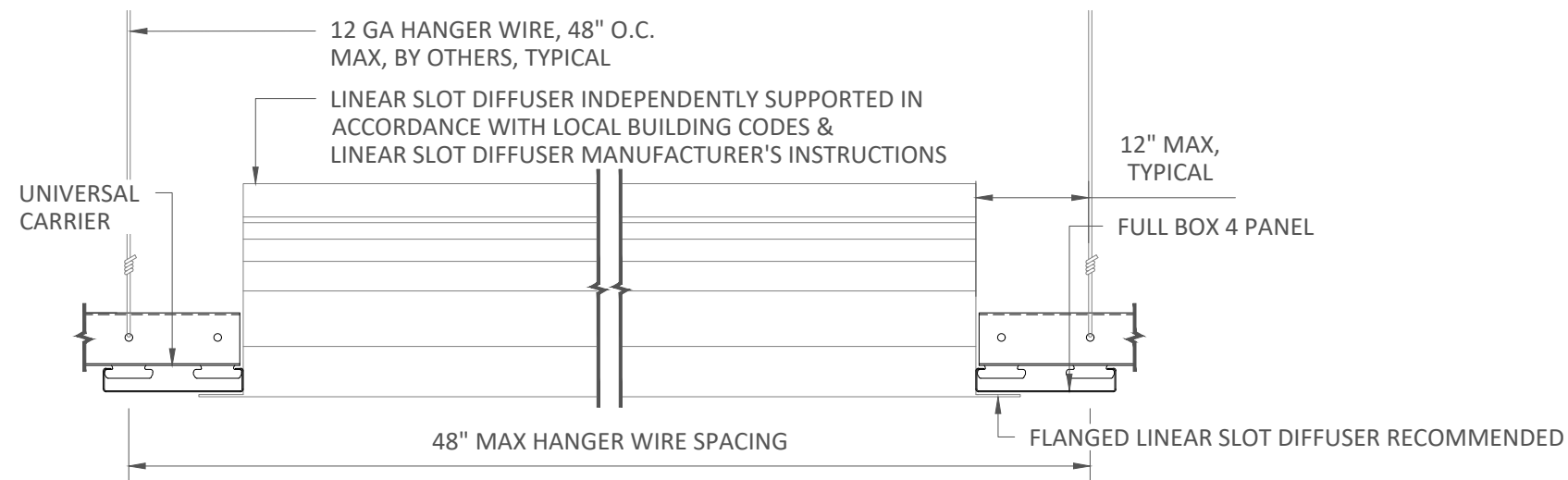
PROJECT: BOX 4 PRODUCT SPECIFICATIONS
DRAWING NUMBER: BOX4-A1.10
SCALE: AS SHOWN
DRAWN BY: CTA ENGINEERING
DATE: 6/1/21

These drawings show typical conditions for installing the CertainTeed product shown. They should not be construed as a substitute for an architectural or engineering design and do not reflect the unique requirements of local codes, laws, statutes or regulations that may be applicable for a specific installation. CertainTeed assumes no liability for the accuracy or completeness of the drawings for a specific installation or the fitness of the drawings for a particular purpose. The user is advised to consult with local licensed design professionals in order to assure compliance with all legal requirements. CertainTeed is not licensed to provide professional engineering or architectural services.

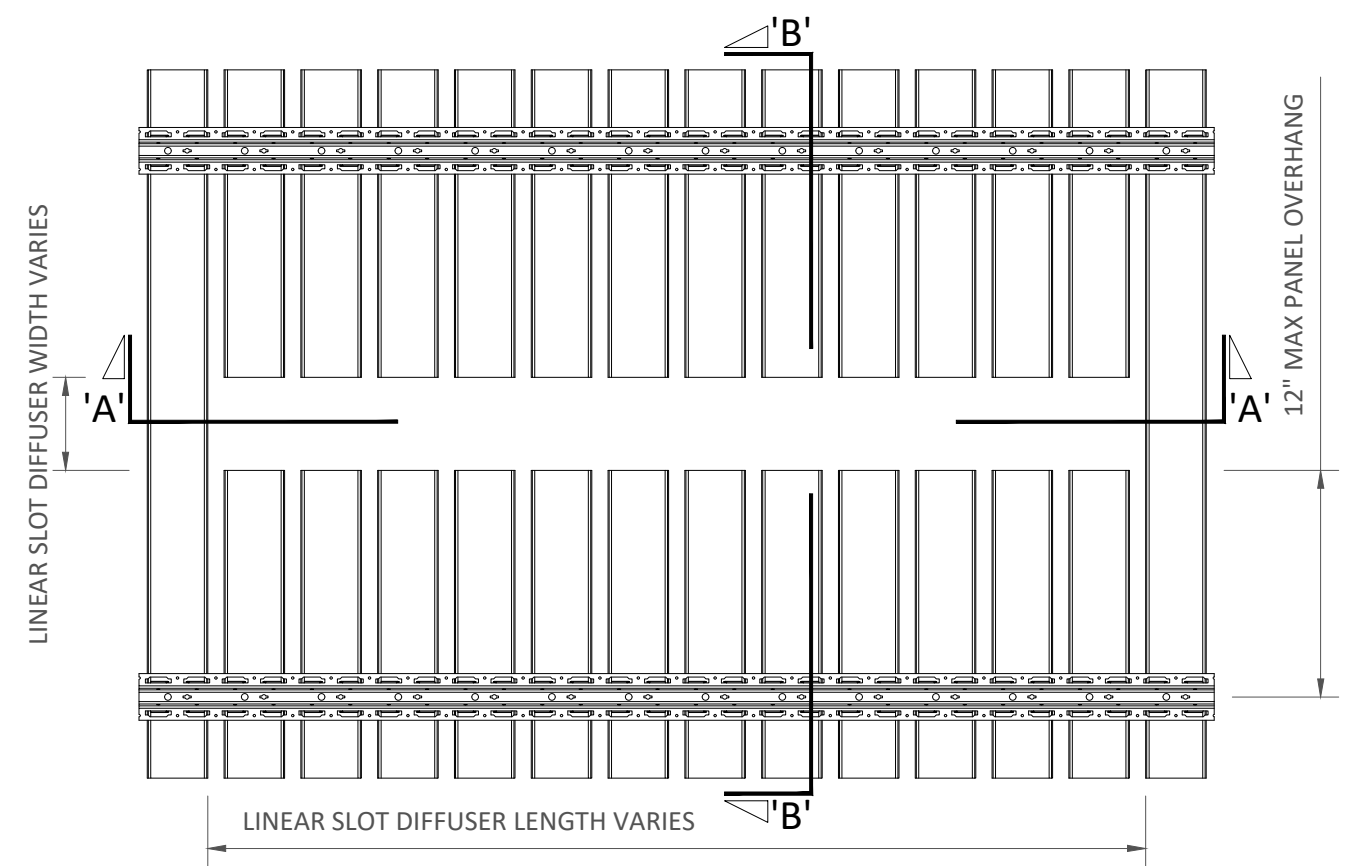


TYPICAL ISOMETRIC

SCALE: NOT TO SCALE

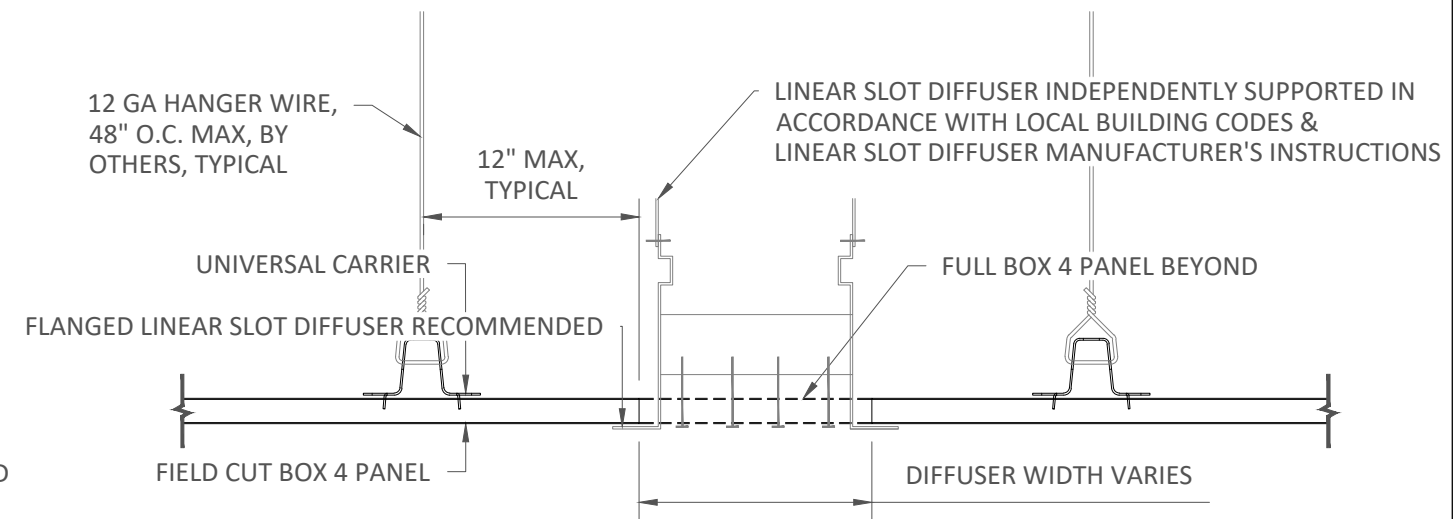


SECTION 'A'
SCALE: 3" = 1'-0"



TOP VIEW

SCALE: NOT TO SCALE



SECTION 'B'
SCALE: 3" = 1'-0"

NOTE: DIFFUSER WITH TRIM FLANGE NOT BY CERTAINTEED

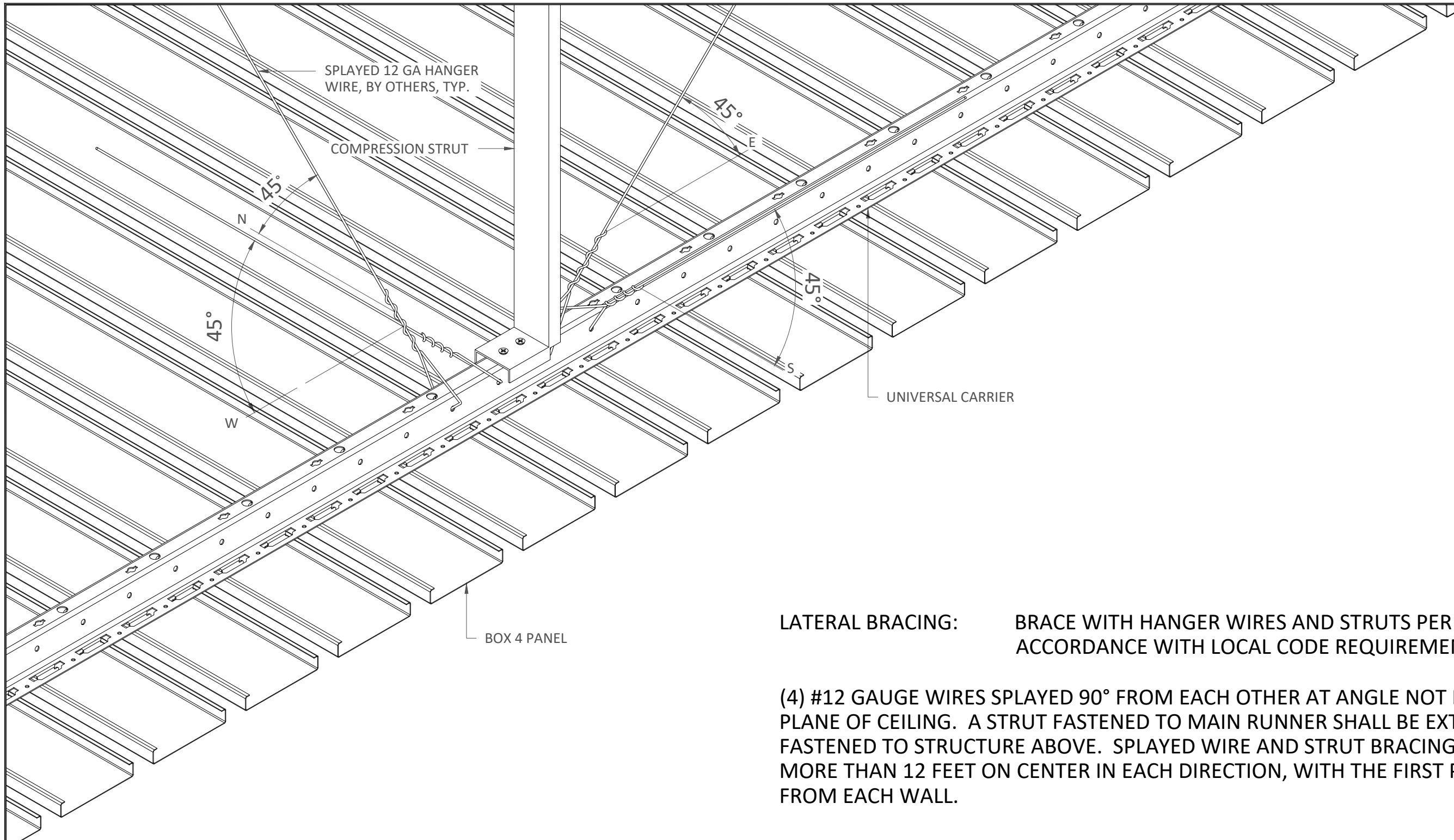


5015 Oakbrook Parkway, Suite 100
Norcross, GA 30093
O 800 366 4327
F 770 806 0214
www.certainteed.com/architectural

SPECIFICATIONS
(unless noted otherwise)
MATERIAL: .020" | .025" | .032" ALUMINUM BOX 4 PANEL | .040" ALUMINUM
UNIVERSAL CARRIER
FINISH: PAINT | POWDER COAT | DECORATED WOOD FINISH | WOOD
VENEER | LUXACOTE
PERFORATION: NON-PERFORATED | #160

FIELD CUT PANEL FOR TYPICAL DIFFUSER
PROJECT: BOX 4 PRODUCT SPECIFICATIONS
DRAWING NUMBER: BOX4-A1.11
SCALE: AS SHOWN
DRAWN BY: CTA ENGINEERING
DATE: 6/1/21

These drawings show typical conditions for installing the CertainTeed product shown. They should not be construed as a substitute for an architectural or engineering design and do not reflect the unique requirements of local codes, laws, statutes or regulations that may be applicable for a specific installation. CertainTeed assumes no liability for the accuracy or completeness of the drawings for a specific installation or the fitness of the drawings for a particular purpose. The user is advised to consult with local licensed design professionals in order to assure compliance with all legal requirements. CertainTeed is not licensed to provide professional engineering or architectural services.



LATERAL BRACING: BRACE WITH HANGER WIRES AND STRUTS PER ASTM E-580 AND IN ACCORDANCE WITH LOCAL CODE REQUIREMENTS.

(4) #12 GAUGE WIRES SPLAYED 90° FROM EACH OTHER AT ANGLE NOT EXCEEDING 45° FROM PLANE OF CEILING. A STRUT FASTENED TO MAIN RUNNER SHALL BE EXTENDED TO AND FASTENED TO STRUCTURE ABOVE. SPLAYED WIRE AND STRUT BRACING TO BE PLACED NOT MORE THAN 12 FEET ON CENTER IN EACH DIRECTION, WITH THE FIRST POINT WITHIN 6 FEET FROM EACH WALL.

INTERIOR INSTALLATION

ARCHITECTURAL

CertainTeed
SAINT-GOBAIN

5015 Oakbrook Parkway, Suite 100
Norcross, GA 30093
O 800 366 4327
F 770 806 0214
www.certainteed.com/architectural

SPECIFICATIONS

(unless noted otherwise)

MATERIAL: .020" | .025" | .032" ALUMINUM BOX 4 PANEL | .040" ALUMINUM
UNIVERSAL CARRIER
FINISH: PAINT | POWDER COAT | DECORATED WOOD FINISH | WOOD
VENEER | LUXACOTE
PERFORATION: NON-PERFORATED | #160

SEISMIC SPECIFICATIONS

PROJECT: BOX 4 PRODUCT SPECIFICATIONS
DRAWING NUMBER: BOX4-A1.12
SCALE: AS SHOWN
DRAWN BY: CTA ENGINEERING
DATE: 6/1/21

These drawings show typical conditions for installing the CertainTeed product shown. They should not be construed as a substitute for an architectural or engineering design and do not reflect the unique requirements of local codes, laws, statutes or regulations that may be applicable for a specific installation. CertainTeed assumes no liability for the accuracy or completeness of the drawings for a specific installation or the fitness of the drawings for a particular purpose. The user is advised to consult with local licensed design professionals in order to assure compliance with all legal requirements. CertainTeed is not licensed to provide professional engineering or architectural services.