

ARCHITECTURAL

CertainTeed
SAINT-GOBAIN

5015 Oakbrook Parkway, Suite 100
Norcross, GA 30093
O 800 366 4327
F 770 806 0214
www.certainteed.com/architectural

These drawings show typical conditions for installing the CertainTeed product shown. They should not be construed as a substitute for an architectural or engineering design and do not reflect the unique requirements of local codes, laws, statutes or regulations that may be applicable for a specific installation. CertainTeed assumes no liability for the accuracy or completeness of the drawings for a specific installation or the fitness of the drawings for a particular purpose. The user is advised to consult with local licensed design professionals in order to assure compliance with all legal requirements. CertainTeed is not licensed to provide professional engineering or architectural services.

SPECIFICATIONS
(unless noted otherwise)

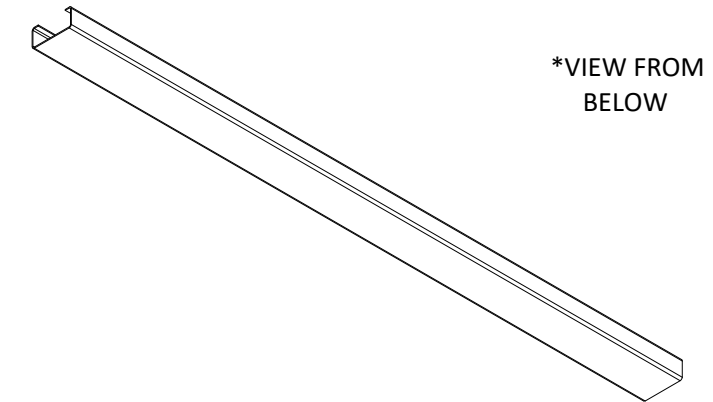
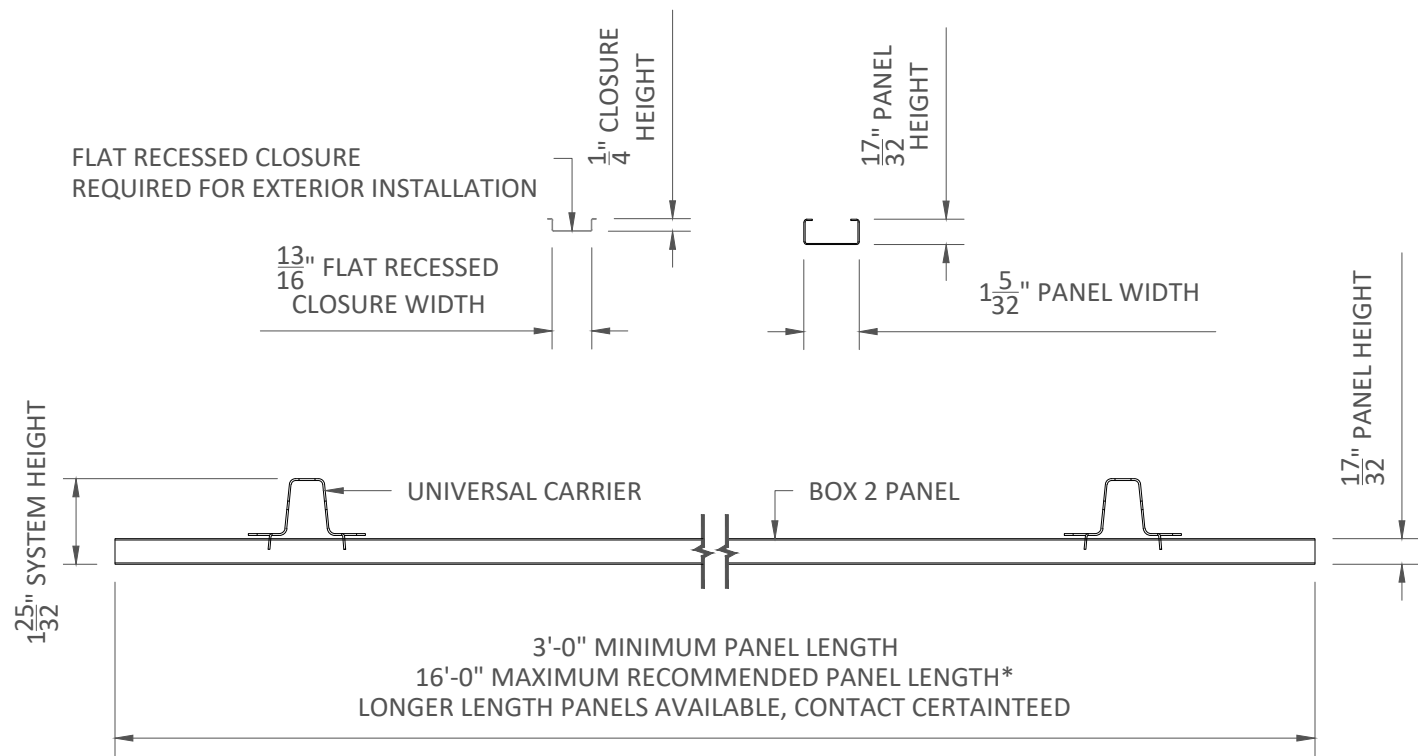
MATERIAL: .020" | .025" ALUMINUM BOX 2 PANEL | .040" ALUMINUM
UNIVERSAL CARRIER

FINISH: PAINT | POWDER COAT | DECORATED WOOD FINISH | LUXACOTE

PERFORATION: NOT AVAILABLE

OVERALL ISOMETRIC VIEW

PROJECT: EXTERIOR BOX 2 PRODUCT SPECIFICATIONS
DRAWING NUMBER: EXT-BOX2-B1.0
SCALE: AS SHOWN
DRAWN BY: CTA ENGINEERING
DATE: 6/1/21



MATERIAL THICKNESS

BOX 2: .020" OR .025" ALUMINUM

PANEL FINISHES

- PAINTED & POWDER COATED - INTERIOR & EXTERIOR
- LUXACOTE - INTERIOR & EXTERIOR
- DECORATED WOOD FINISH (POWDER COATED) - INTERIOR & EXTERIOR
- NO PERFORATION AVAILABLE FOR BOX 2 PANEL

FACTORY END & SIDE PANEL VIEW

SCALE: 3" = 1'-0"

*PANEL LENGTHS AVAILABLE IN $\pm \frac{1}{8}$ " TOLERANCE, MINIMUM QUANTITIES MAY APPLY

PANEL MATERIALS & FINISHES

SCALE: NOT TO SCALE

ARCHITECTURAL

CertainTeed
SAINT-GOBAIN

5015 Oakbrook Parkway, Suite 100
Norcross, GA 30093
O 800 366 4327
F 770 806 0214
www.certainteed.com/architectural

SPECIFICATIONS

(unless noted otherwise)

MATERIAL: .020" | .025" ALUMINUM BOX 2 PANEL | .040" ALUMINUM

UNIVERSAL CARRIER

FINISH: PAINT | POWDER COAT | DECORATED WOOD FINISH | LUXACOTE

PERFORATION: NOT AVAILABLE

PANEL SPECIFICATIONS

PROJECT: EXTERIOR BOX 2 PRODUCT SPECIFICATIONS

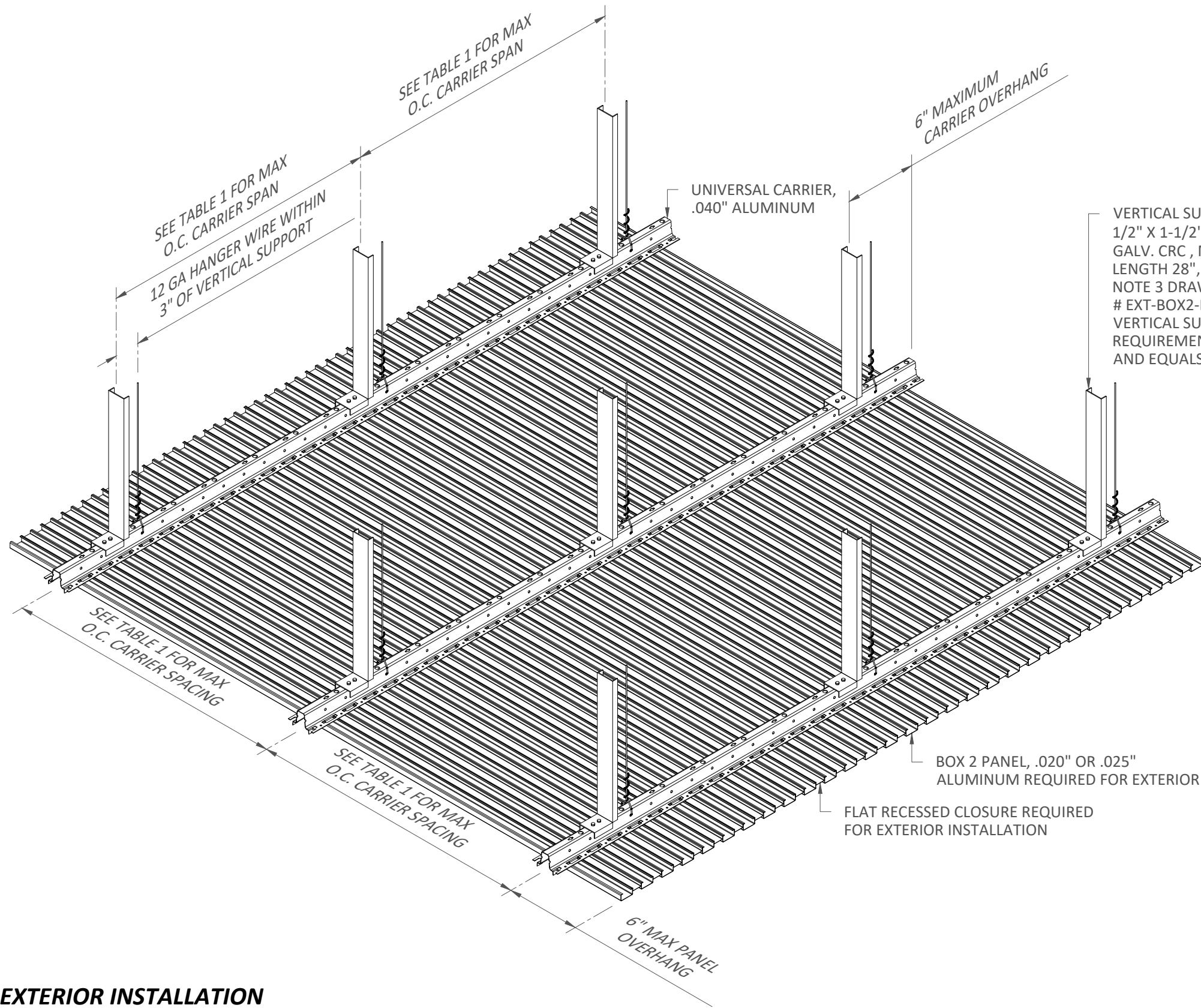
DRAWING NUMBER: EXT-BOX2-B1.1

SCALE: AS SHOWN

DRAWN BY: CTA ENGINEERING

DATE: 6/1/21

These drawings show typical conditions for installing the CertainTeed product shown. They should not be construed as a substitute for an architectural or engineering design and do not reflect the unique requirements of local codes, laws, statutes or regulations that may be applicable for a specific installation. CertainTeed assumes no liability for the accuracy or completeness of the drawings for a specific installation or the fitness of the drawings for a particular purpose. The user is advised to consult with local licensed design professionals in order to assure compliance with all legal requirements. CertainTeed is not licensed to provide professional engineering or architectural services.



NOTE A:

CARRIER SPACING (PANEL SPAN) AND CARRIER SPAN (HANGER WIRE & VERTICAL SUPPORT SPACING) VARIES DEPENDING ON DESIGN WIND PRESSURE (POUNDS PER SQUARE FOOT). AS A GENERAL GUIDE, REFER TO THE DETAIL AND WIND LOAD TABLE 1 BELOW FOR CARRIER SPACING AND CARRIER SPAN. THE WIND LOAD CRITERIA IS BASED ON USING 3 OR MORE ROWS OF CARRIER. MAXIMUM PANEL OVERHANG = 6". MAXIMUM CARRIER OVERHANG = 6".

HANGER WIRE (12 GA MIN.) MUST BE LOCATED AT EACH VERTICAL SUPPORT STRUT. VERTICAL SUPPORT STRUT MUST NOT EXCEED SPACING SHOWN FOR A GIVEN DESIGN WIND PRESSURE. SEE DRAWING # EXT-BOX2-B1.3 FOR VERTICAL SUPPORT SPECIFICATION. HANGER WIRE AND VERTICAL SUPPORT STRUT MUST BE ATTACHED TO STRUCTURE ABOVE TO SAFELY SUPPORT ALL LOADS IMPOSED BY SOFFIT SYSTEM. ATTACHMENT TO STRUCTURE DESIGNED AND PROVIDED BY OTHERS, NOT BY CERTAINTED.

NOTE B:

ALL PENETRATIONS IN CEILING TO BE FIELD LOCATED AND FIELD CUT. TRIM FOR THESE ITEMS NOT BY CERTAINTED.

NOTE C:

ATTACHMENT TO STRUCTURE DESIGNED AND PROVIDED BY OTHERS, NOT BY CERTAINTED.

TABLE 1 - DESIGN WIND LOAD - LINEAR BOX EXTERIOR CEILING SYSTEM

PANEL TYPE: **.020" OR .025" ALUMINUM, BOX 2 PANEL**
 CARRIER TYPE: **.040" ALUMINUM, UNIVERSAL CARRIER**

ALLOWABLE CARRIER SPACING (PANEL SPAN)
 ALLOWABLE CARRIER SUPPORT SPACING (HANGER WIRE/VERTICAL SUPPORT SPACING)

* NOTE: CARRIER SPACING BASED ON USING 3 OR MORE CARRIERS

** POUNDS PER SQUARE FOOT

DESIGN WIND PRESSURE (POSITIVE OR NEGATIVE PSF**)	CARRIER SPACING * (PANEL SPAN)	CARRIER SPAN (VERTICAL SUPPORT SPACING)
20	3'-4"	1'-11"
25	3'-0"	1'-10"
30	2'-8"	1'-9"
35	2'-6"	1'-8"
40	2'-4"	1'-8"

EXTERIOR INSTALLATION



5015 Oakbrook Parkway, Suite 100
 Norcross, GA 30093
 O 800 366 4327
 F 770 806 0214
www.certainteed.com/architectural

SPECIFICATIONS

(unless noted otherwise)

MATERIAL: .020" | .025" ALUMINUM BOX 2 PANEL | .040" ALUMINUM

UNIVERSAL CARRIER

FINISH: PAINT | POWDER COAT | DECORATED WOOD FINISH | LUXACOTE

PERFORATION: NOT AVAILABLE

EXTERIOR SUSPENSION SPECIFICATIONS

PROJECT: EXTERIOR BOX 2 PRODUCT SPECIFICATIONS

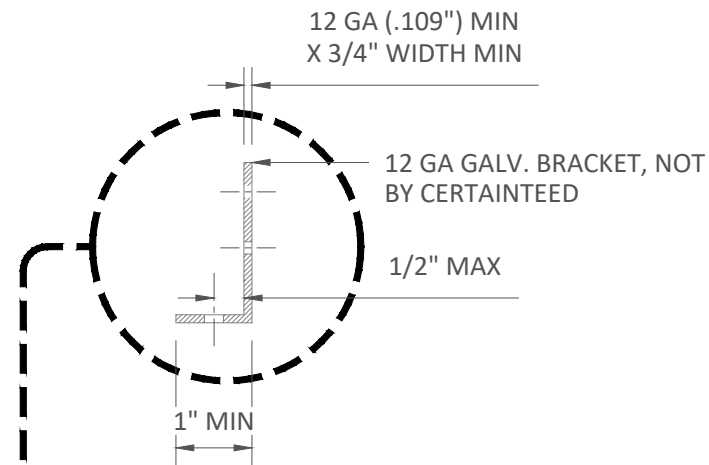
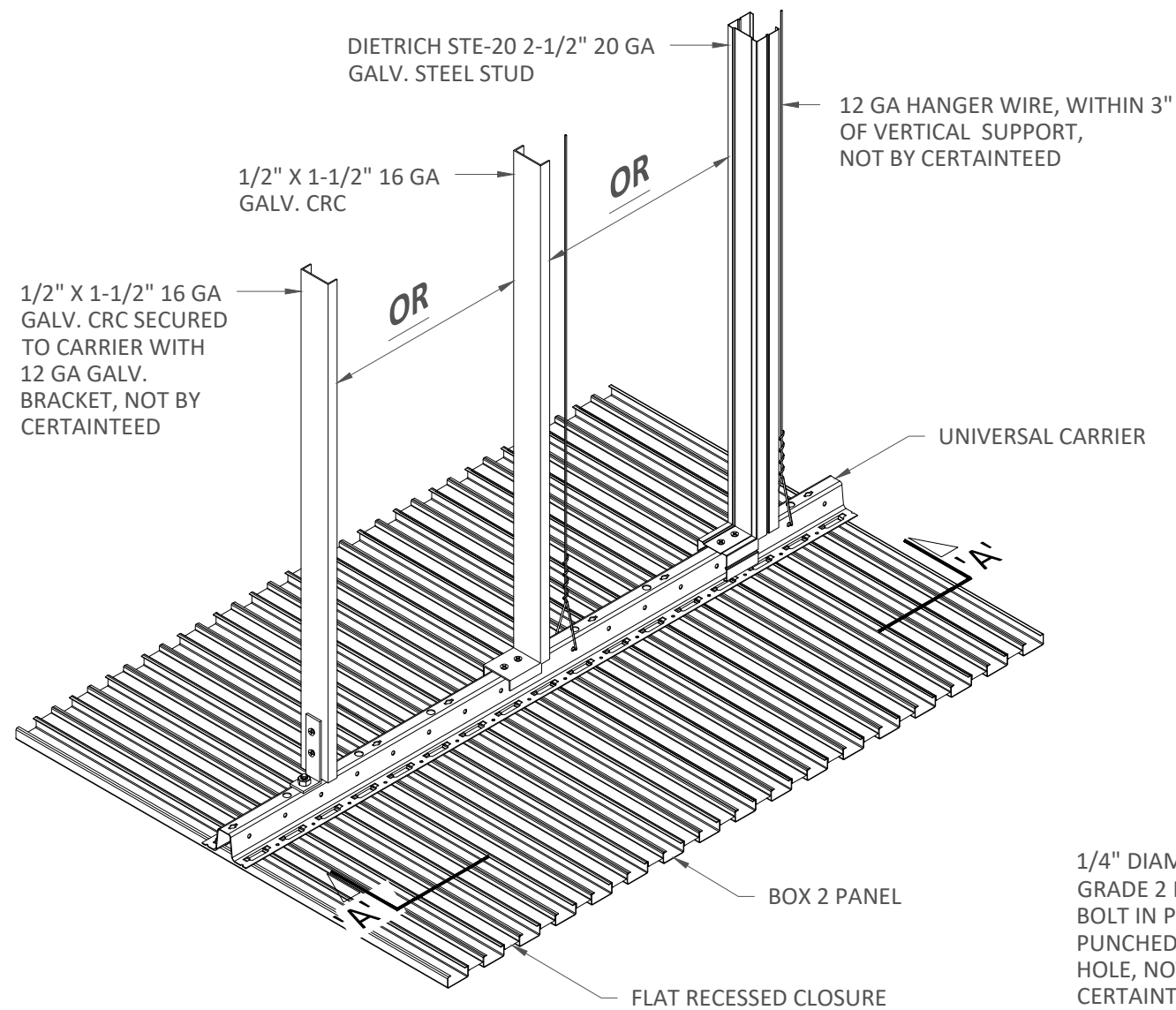
DRAWING NUMBER: EXT-BOX2-B1.2

SCALE: AS SHOWN

DRAWN BY: CTA ENGINEERING

DATE: 6/1/21

These drawings show typical conditions for installing the CertainTeed product shown. They should not be construed as a substitute for an architectural or engineering design and do not reflect the unique requirements of local codes, laws, statutes or regulations that may be applicable for a specific installation. CertainTeed assumes no liability for the accuracy or completeness of the drawings for a specific installation or the fitness of the drawings for a particular purpose. The user is advised to consult with local licensed design professionals in order to assure compliance with all legal requirements. CertainTeed is not licensed to provide professional engineering or architectural services.



1/4" DIAMETER X 20 GRADE 2 NUT & BOLT IN PRE-PUNCHED CARRIER HOLE, NOT BY CERTAINTED

12 GA BRACKET GALV., NOT BY CERTAINTED

(2) NO. 10 TEK SCREWS, NOT BY CERTAINTED

(2) NO. 10 TEK SCREWS, TYP., NOT BY CERTAINTED

(2) NO. 10 TEK SCREWS, NOT BY CERTAINTED

BOX 2 PANEL, .020" OR .025" ALUMINUM REQUIRED FOR EXTERIOR

FLAT RECESSED CLOSURE REQUIRED FOR EXTERNAL INSTALLATION

UNIVERSAL CARRIER, .040" ALUMINUM, TYP.

SECTION 'A'
SCALE: 3" = 1'-0"

NOTE A:

VERTICAL SUPPORT STRUTS (MINIMUM 1-1/2" 16 GA GALV. 'C' CHANNEL OR EQUAL, MAX LENGTH OF 28"). SEE DRAWING # EXT-BOX2-B1.2 FOR EXTERIOR SUSPENSION REQUIREMENTS. VERTICAL SUPPORTS SHALL BE LOCATED WITHIN 6" OF THE ENDS OF EACH CARRIER AND WITHIN 6" ON BOTH SIDES OF A CARRIER SPLICE.

VERTICAL SUPPORT EQUALS:

DIETRICH STE-20 2-1/2" 20 GA GALV. MAX LENGTH OF 85"

DIETRICH TRNB-25 MAX LENGTH OF 78"

*** ATTACHMENT TO STRUCTURE ABOVE SHALL BE DESIGNED AND PROVIDED BY OTHERS TO SUPPORT ALL LOADS IMPOSED BY CEILING SOFFIT SYSTEM ***

NOTE B:
ALL PENETRATIONS IN CEILING TO BE FIELD LOCATED AND FIELD CUT. TRIM FOR THESE ITEMS NOT BY CERTAINTED.

NOTE C:
ATTACHMENT TO STRUCTURE DESIGNED AND PROVIDED BY OTHERS, NOT BY CERTAINTED.

EXTERIOR INSTALLATION



5015 Oakbrook Parkway, Suite 100
Norcross, GA 30093
O 800 366 4327
F 770 806 0214
www.certainteed.com/architectural

SPECIFICATIONS

(unless noted otherwise)

MATERIAL: .020" | .025" ALUMINUM BOX 2 PANEL | .040" ALUMINUM

UNIVERSAL CARRIER

FINISH: PAINT | POWDER COAT | DECORATED WOOD FINISH | LUXACOTE

PERFORATION: NOT AVAILABLE

EXTERIOR VERTICAL SUPPORT SPECIFICATIONS

PROJECT: EXTERIOR BOX 2 PRODUCT SPECIFICATIONS

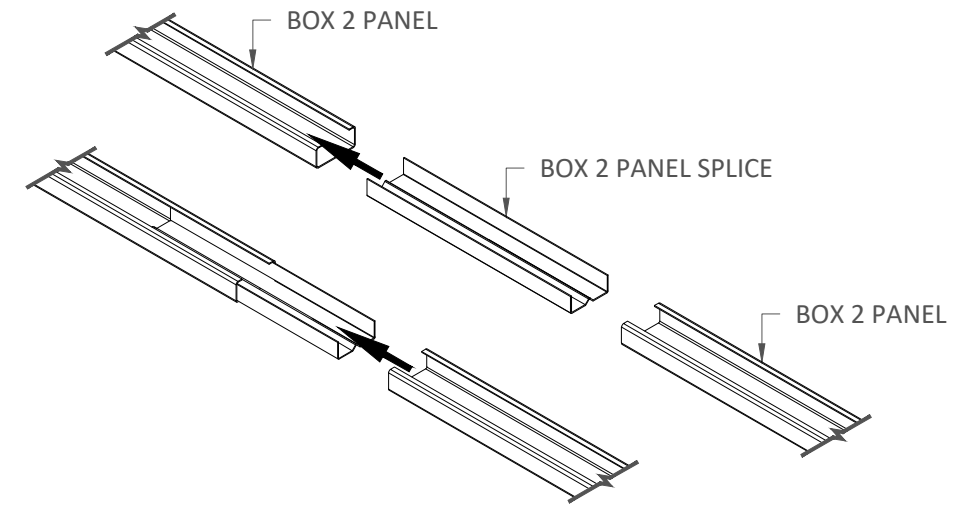
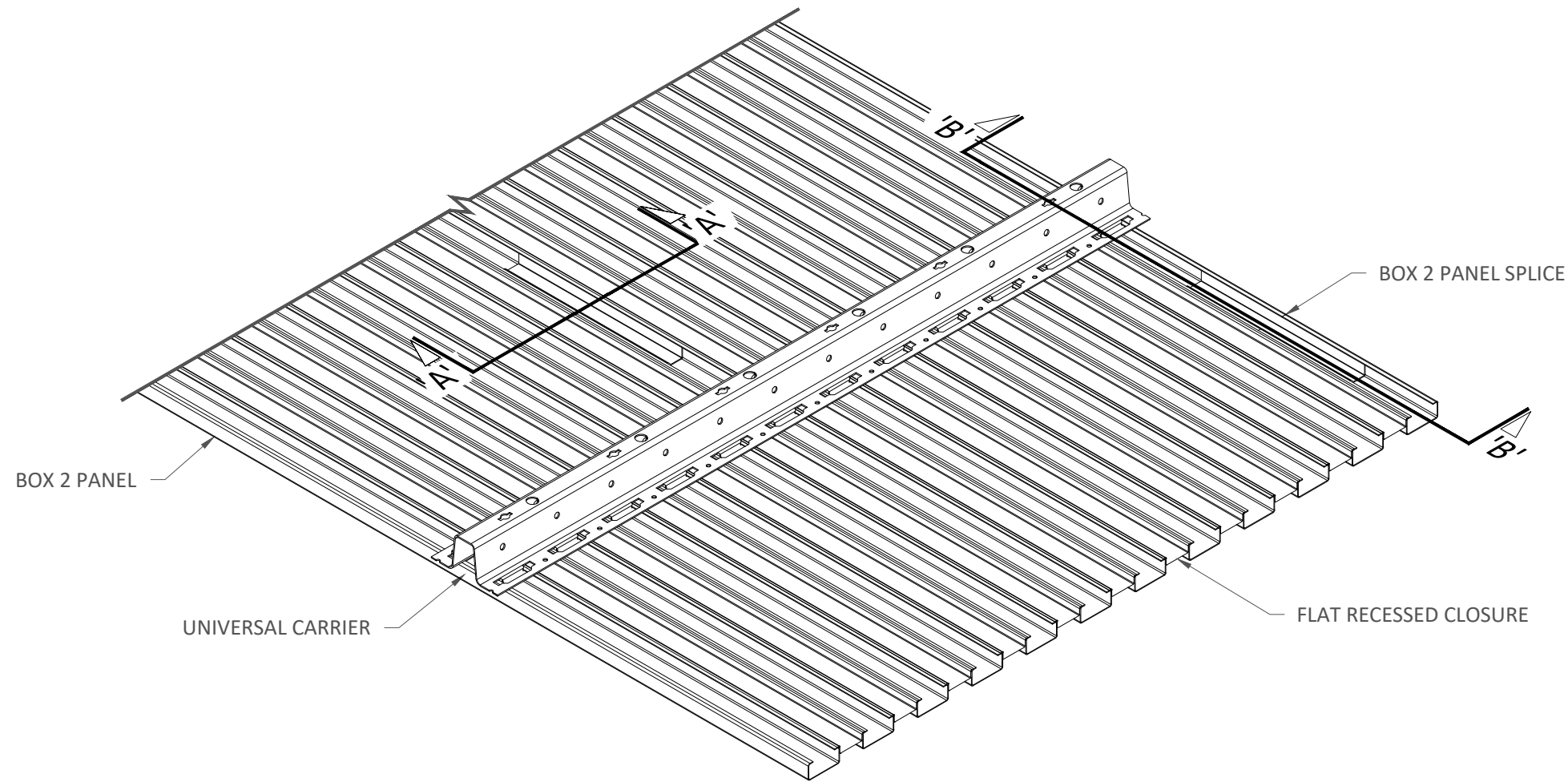
DRAWING NUMBER: EXT-BOX2-B1.3

SCALE: AS SHOWN

DRAWN BY: CTA ENGINEERING

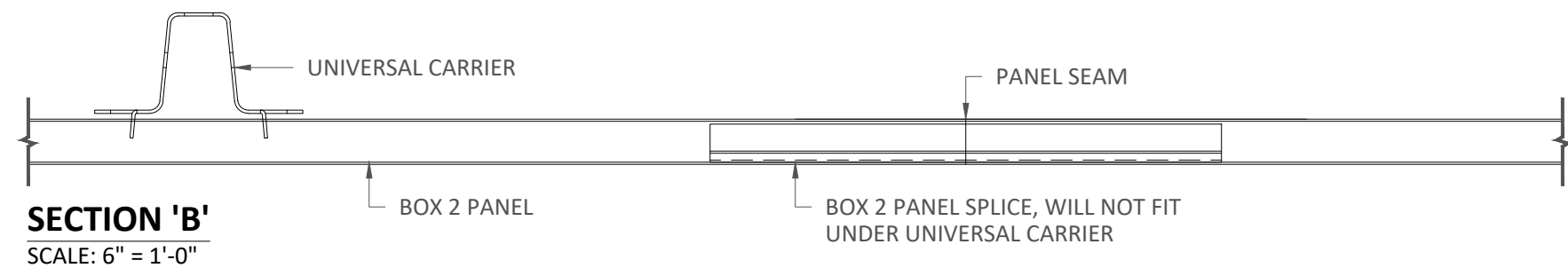
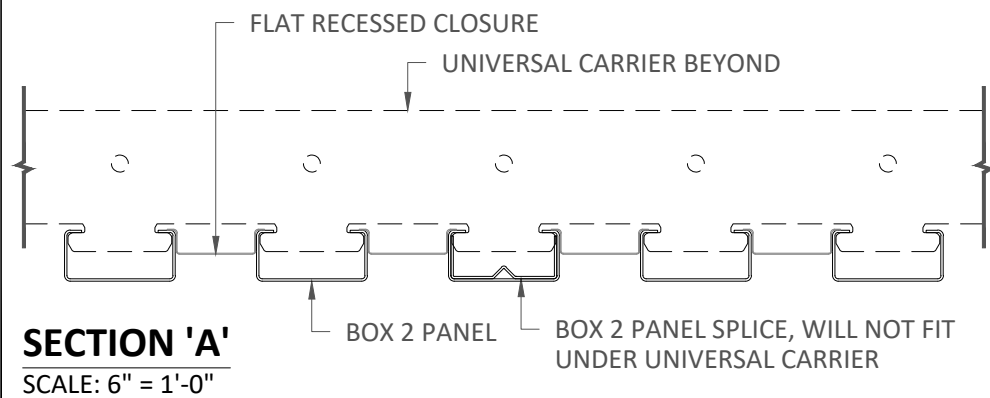
DATE: 6/1/21

These drawings show typical conditions for installing the CertainTeed product shown. They should not be construed as a substitute for an architectural or engineering design and do not reflect the unique requirements of local codes, laws, statutes or regulations that may be applicable for a specific installation. CertainTeed assumes no liability for the accuracy or completeness of the drawings for a specific installation or the fitness of the drawings for a particular purpose. The user is advised to consult with local licensed design professionals in order to assure compliance with all legal requirements. CertainTeed is not licensed to provide professional engineering or architectural services.



NOTE 1:
DO NOT SPLICE PANELS DIRECTLY BELOW UNIVERSAL CARRIERS.
PANEL SPLICES DO NOT FIT UNDER CARRIERS.

NOTE 2:
FIELD CUT PANELS AS REQUIRED TO CREATE A RANDOM
STAGGERED SEAM PATTERN. AVOID ALIGNED SEAMS.



EXTERIOR INSTALLATION

*VERTICAL SUPPORTS AND HANGER WIRE OMITTED FOR CLARITY

ARCHITECTURAL

CertainTeed
SAINT-GOBAIN

5015 Oakbrook Parkway, Suite 100
Norcross, GA 30093
O 800 366 4327
F 770 806 0214
www.certainteed.com/architectural

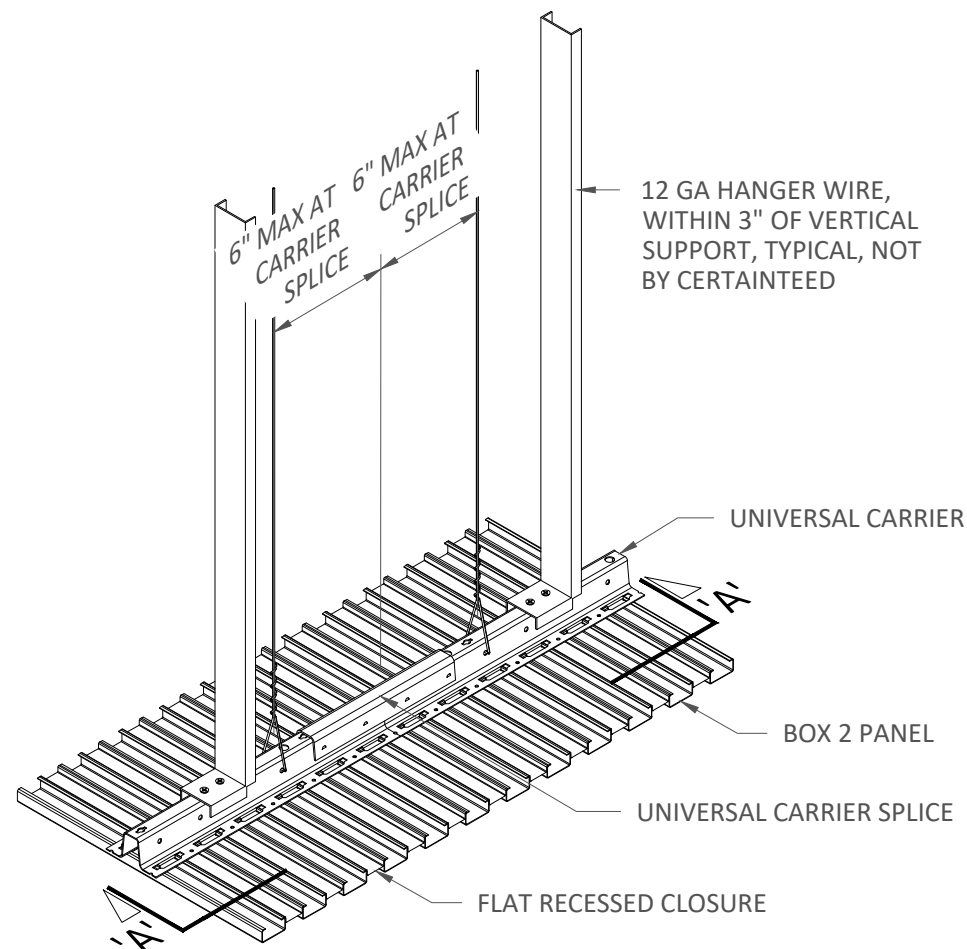
SPECIFICATIONS
(unless noted otherwise)

MATERIAL: .020" | .025" ALUMINUM BOX 2 PANEL | .040" ALUMINUM
UNIVERSAL CARRIER
FINISH: PAINT | POWDER COAT | DECORATED WOOD FINISH | LUXACOTE
PERFORATION: NOT AVAILABLE

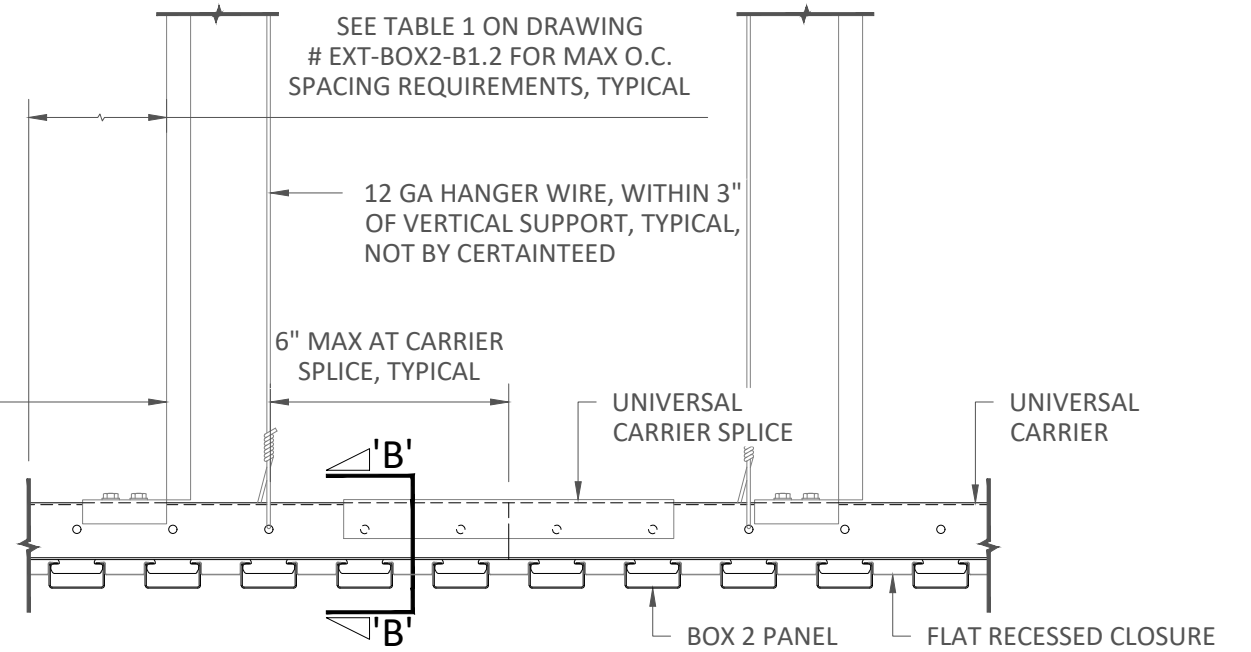
PANEL SPLICE

PROJECT: EXTERIOR BOX 2 PRODUCT SPECIFICATIONS
DRAWING NUMBER: EXT-BOX2-B1.4
SCALE: AS SHOWN
DRAWN BY: CTA ENGINEERING
DATE: 6/1/21

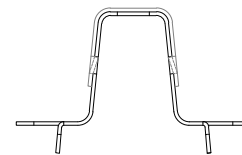
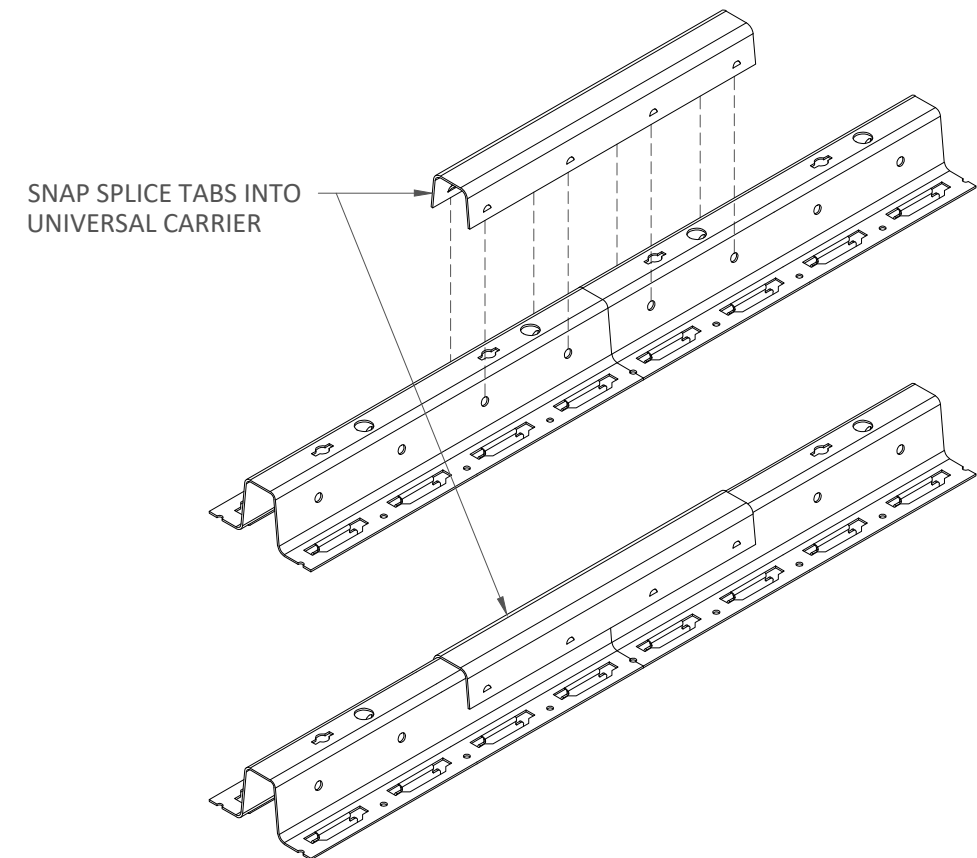
These drawings show typical conditions for installing the CertainTeed product shown. They should not be construed as a substitute for an architectural or engineering design and do not reflect the unique requirements of local codes, laws, statutes or regulations that may be applicable for a specific installation. CertainTeed assumes no liability for the accuracy or completeness of the drawings for a specific installation or the fitness of the drawings for a particular purpose. The user is advised to consult with local licensed design professionals in order to assure compliance with all legal requirements. CertainTeed is not licensed to provide professional engineering or architectural services.



VERTICAL SUPPORT 1/2" X 1-1/2"
16 GA GALV. CRC OR EQUAL,
MAX LENGTH 28", SEE NOTE A
ON DRAWING # EXT-BOX2-B1.3 FOR
VERTICAL SUPPORT REQUIREMENTS



SECTION 'A'
SCALE: 3" = 1'-0"



SECTION 'B'
SCALE: FULL (1:1)

IF THE DESIRED CARRIER LENGTH EXCEEDS THE
MAXIMUM OF 16'-0", USE A UNIVERSAL CARRIER
SPLICE TO CONNECT THE FACTORY CARRIER ENDS.

THE TABS OF THE SPLICE SNAP INTO THE HOLES IN THE
CARRIER AND ADDITIONAL FIXING IS NOT NECESSARY.
THE MODULE IS CONTINUED AUTOMATICALLY.

EXTERIOR INSTALLATION

ARCHITECTURAL

CertainTeed
SAINT-GOBAIN

5015 Oakbrook Parkway, Suite 100
Norcross, GA 30093
O 800 366 4327
F 770 806 0214
www.certainteed.com/architectural

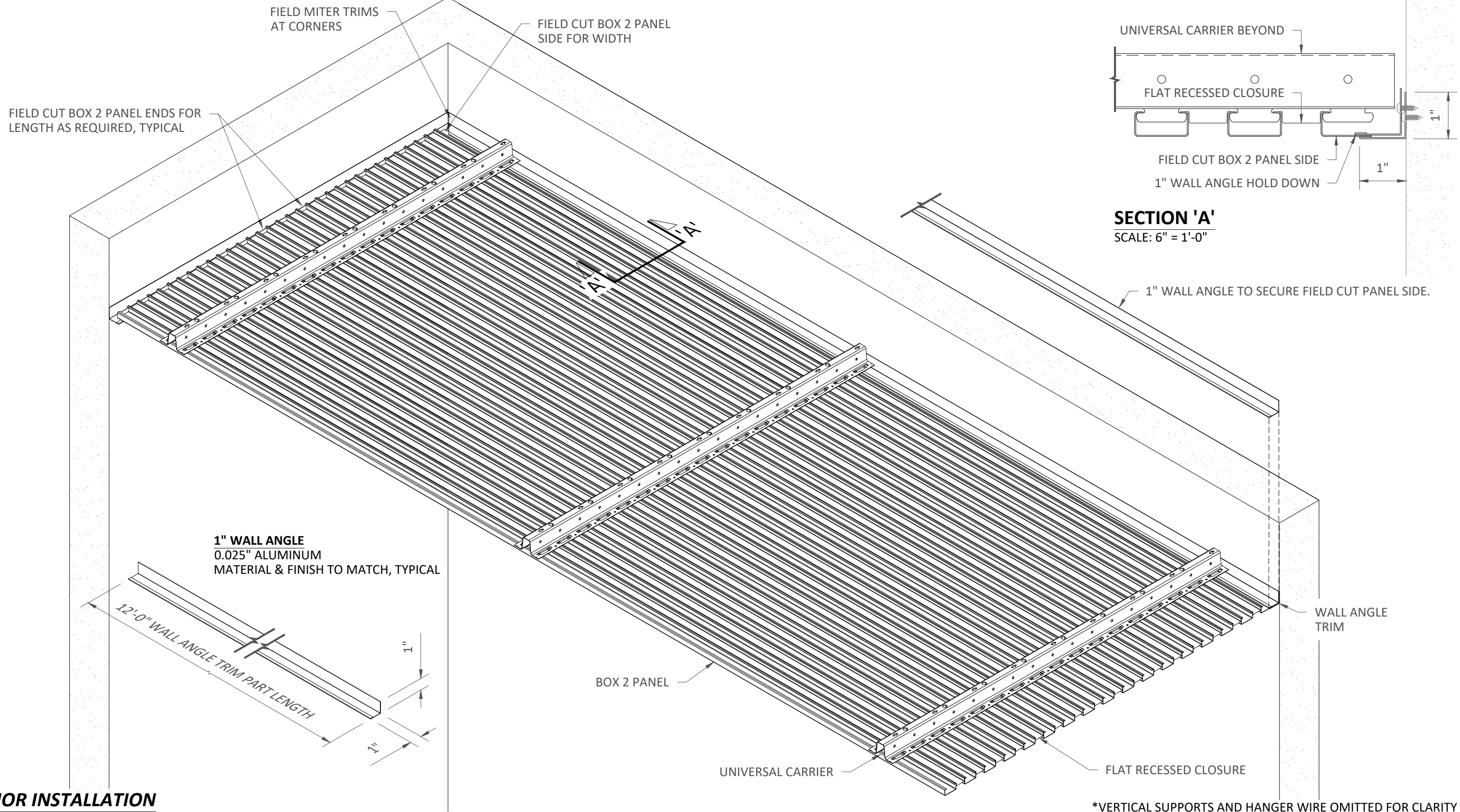
SPECIFICATIONS
(unless noted otherwise)

MATERIAL: .020" | .025" ALUMINUM BOX 2 PANEL | .040" ALUMINUM
UNIVERSAL CARRIER
FINISH: PAINT | POWDER COAT | DECORATED WOOD FINISH | LUXACOTE
PERFORATION: NOT AVAILABLE

UNIVERSAL CARRIER SPLICE

PROJECT: EXTERIOR BOX 2 PRODUCT SPECIFICATIONS
DRAWING NUMBER: EXT-BOX2-B1.5
SCALE: AS SHOWN
DRAWN BY: CTA ENGINEERING
DATE: 6/1/21

These drawings show typical conditions for installing the CertainTeed product shown. They should not be construed as a substitute for an architectural or engineering design and do not reflect the unique requirements of local codes, laws, statutes or regulations that may be applicable for a specific installation. CertainTeed assumes no liability for the accuracy or completeness of the drawings for a specific installation or the fitness of the drawings for a particular purpose. The user is advised to consult with local licensed design professionals in order to assure compliance with all legal requirements. CertainTeed is not licensed to provide professional engineering or architectural services.



SECTION 'A'
SCALE: 6" = 1'-0"

EXTERIOR INSTALLATION

*VERTICAL SUPPORTS AND HANGER WIRE OMITTED FOR CLARITY

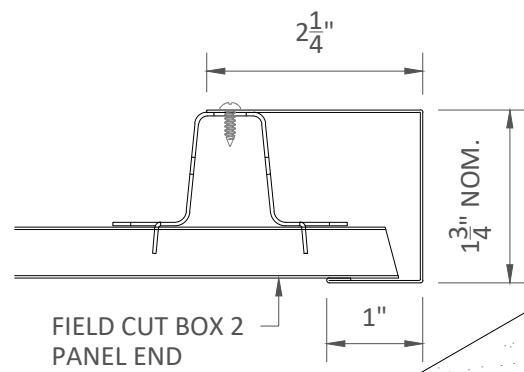


5015 Oakbrook Parkway, Suite 100
Norcross, GA 30093
O 800 366 4327
F 770 806 0214
www.certainteed.com/architectural

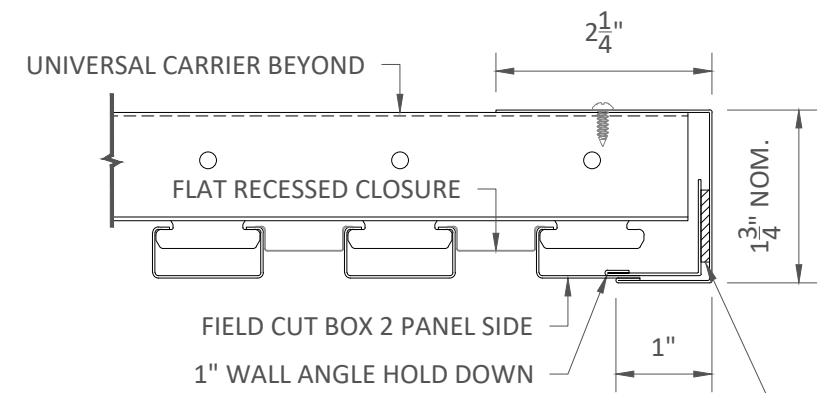
SPECIFICATIONS
(unless noted otherwise)
MATERIAL: .020" | .025" ALUMINUM BOX 2 PANEL | .040" ALUMINUM
UNIVERSAL CARRIER
FINISH: PAINT | POWDER COAT | DECORATED WOOD FINISH | LUXACOTE
PERFORATION: NOT AVAILABLE

WALL ANGLE TRIM
PROJECT: EXTERIOR BOX 2 PRODUCT SPECIFICATIONS
DRAWING NUMBER: EXT-BOX2-B1.6
SCALE: AS SHOWN
DRAWN BY: CTA ENGINEERING
DATE: 6/1/21

These drawings show typical conditions for installing the CertainTeed product shown. They should not be construed as a substitute for an architectural or engineering design and do not reflect the unique requirements of local codes, laws, statutes or regulations that may be applicable for a specific installation. CertainTeed assumes no liability for the accuracy or completeness of the drawings for a specific installation or the fitness of the drawings for a particular purpose. The user is advised to consult with local licensed design professionals in order to assure compliance with all legal requirements. CertainTeed is not licensed to provide professional engineering or architectural services.



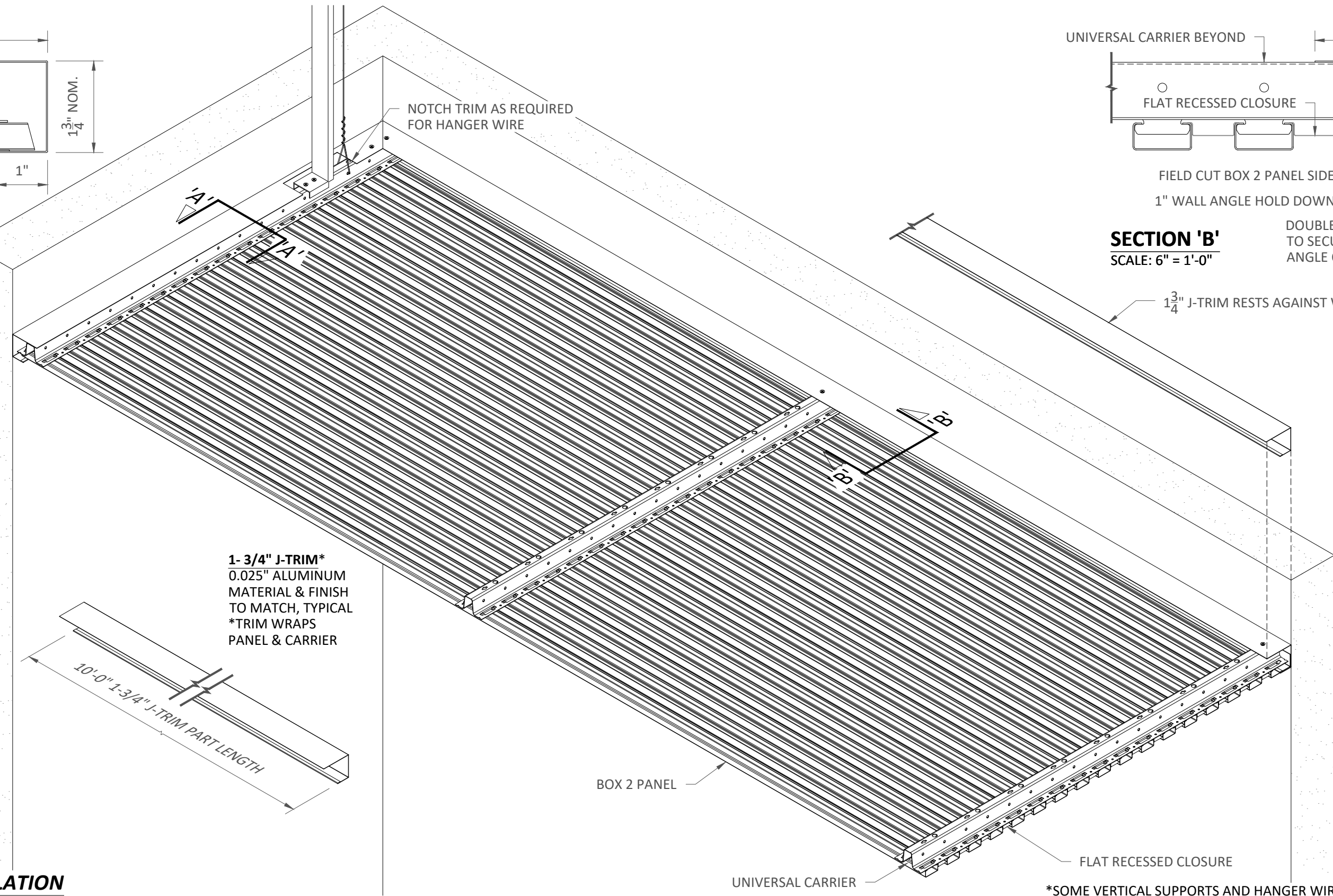
SECTION 'A'
SCALE: 6" = 1'-0"



SECTION 'B'
SCALE: 6" = 1'-0"

DOUBLE-SIDED ADHESIVE TO SECURE 1" WALL ANGLE OR USE POP-RIVET

1 3/4" J-TRIM RESTS AGAINST WALL



1- 3/4" J-TRIM*
0.025" ALUMINUM MATERIAL & FINISH TO MATCH, TYPICAL
*TRIM WRAPS PANEL & CARRIER

10'-0" 1-3/4" J-TRIM PART LENGTH

NOTCH TRIM AS REQUIRED FOR HANGER WIRE

FLAT RECESSED CLOSURE

*SOME VERTICAL SUPPORTS AND HANGER WIRE OMITTED FOR CLARITY

EXTERIOR INSTALLATION



5015 Oakbrook Parkway, Suite 100
Norcross, GA 30093
O 800 366 4327
F 770 806 0214
www.certainteed.com/architectural

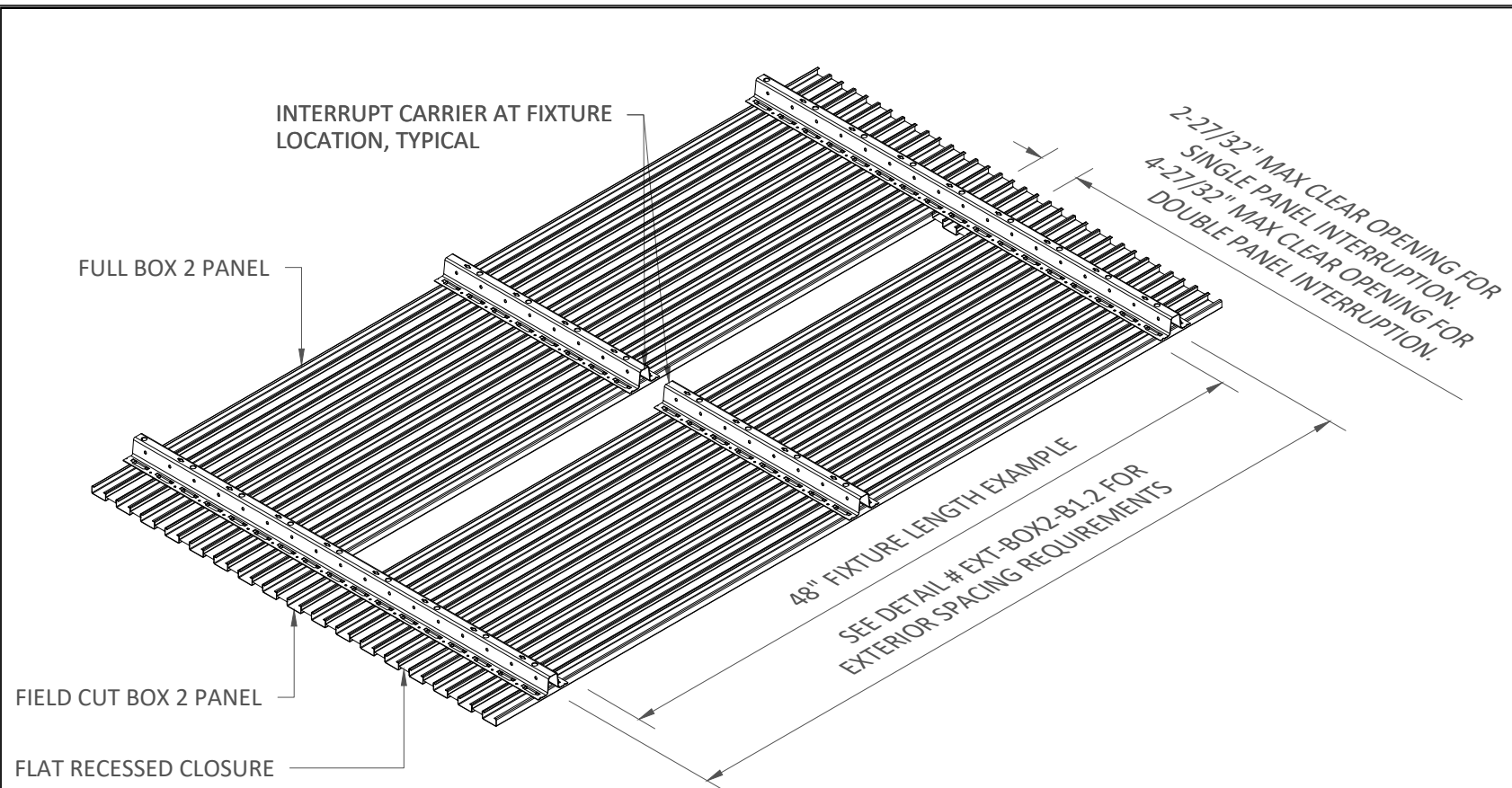
SPECIFICATIONS
(unless noted otherwise)

MATERIAL: .020" | .025" ALUMINUM BOX 2 PANEL | .040" ALUMINUM
UNIVERSAL CARRIER
FINISH: PAINT | POWDER COAT | DECORATED WOOD FINISH | LUXACOTE
PERFORATION: NOT AVAILABLE

FLOATING TRIM

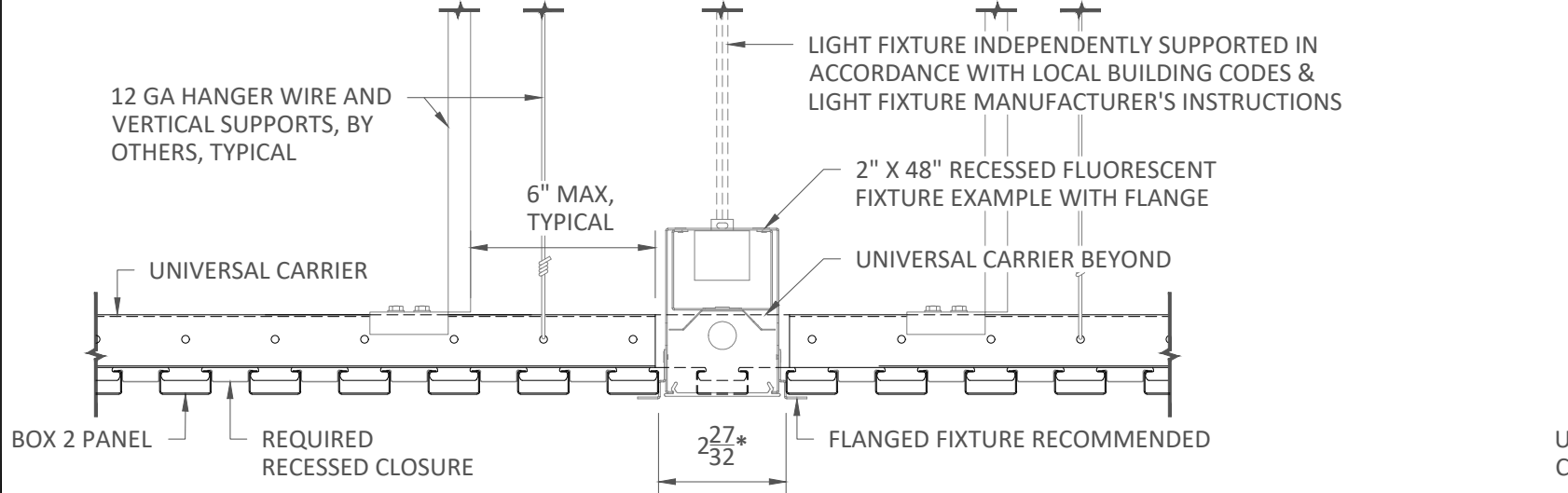
PROJECT: EXTERIOR BOX 2 PRODUCT SPECIFICATIONS
DRAWING NUMBER: EXT-BOX2-B1.7
SCALE: AS SHOWN
DRAWN BY: CTA ENGINEERING
DATE: 6/1/21

These drawings show typical conditions for installing the CertainTeed product shown. They should not be construed as a substitute for an architectural or engineering design and do not reflect the unique requirements of local codes, laws, statutes or regulations that may be applicable for a specific installation. CertainTeed assumes no liability for the accuracy or completeness of the drawings for a specific installation or the fitness of the drawings for a particular purpose. The user is advised to consult with local licensed design professionals in order to assure compliance with all legal requirements. CertainTeed is not licensed to provide professional engineering or architectural services.



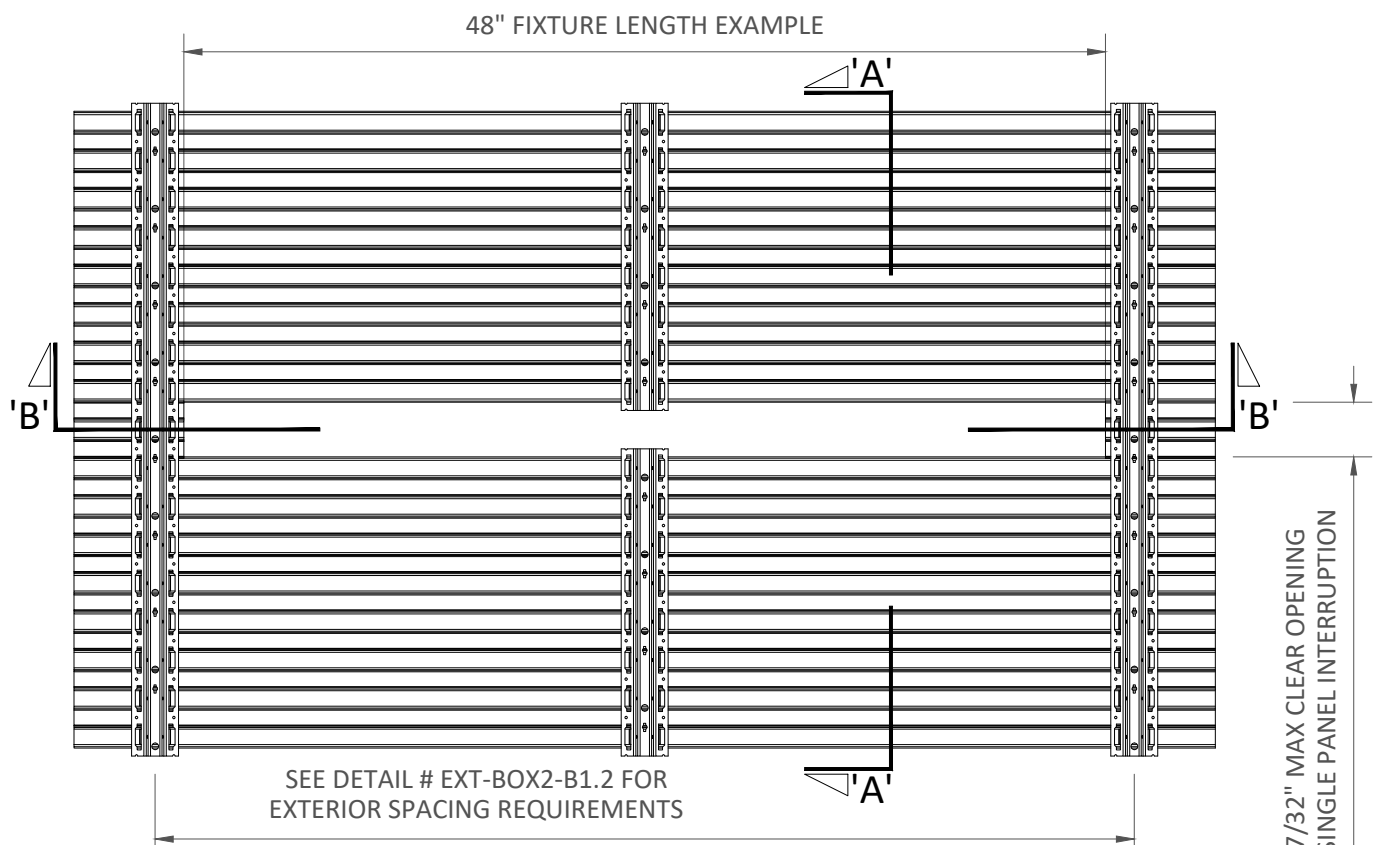
TYPICAL ISOMETRIC

SCALE: NOT TO SCALE



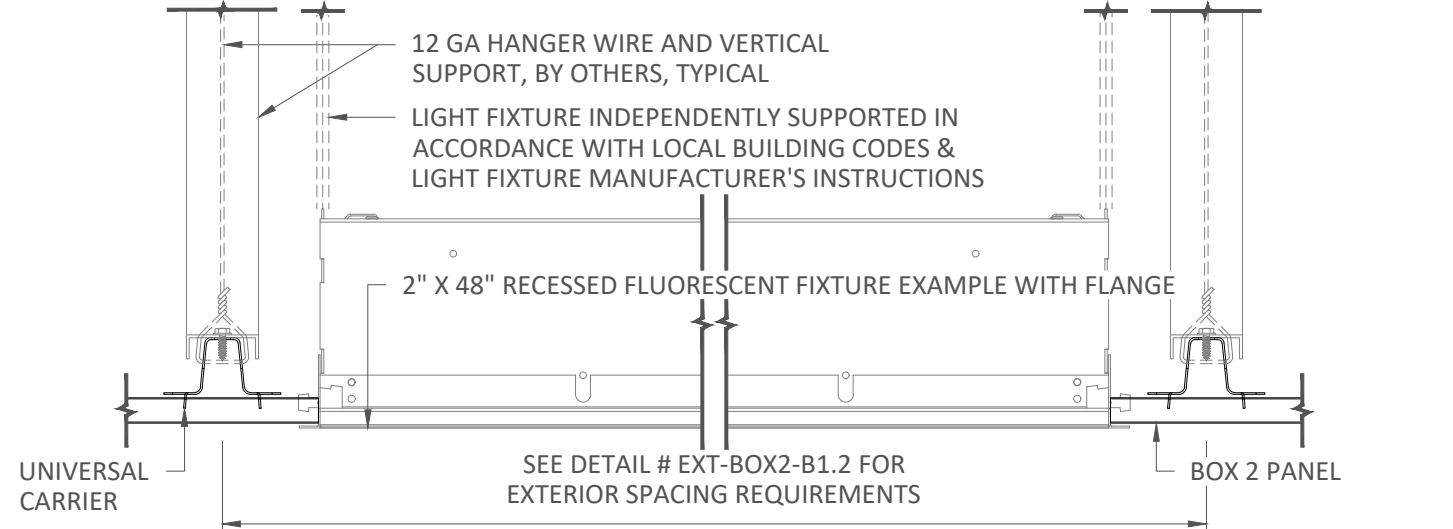
SECTION 'A'
SCALE: 3" = 1'-0"

*27/32" MAX CLEAR OPENING, PANEL EDGE TO PANEL EDGE, FOR SINGLE PANEL INTERRUPTION.
47/32" MAX CLEAR OPENING, PANEL EDGE TO PANEL EDGE, FOR DOUBLE PANEL INTERRUPTION.



TOP VIEW

SCALE: NOT TO SCALE



SECTION 'B'
SCALE: 3" = 1'-0"

NOTE: FIXTURE WITH TRIM FLANGE NOT BY CERTAINTEED



5015 Oakbrook Parkway, Suite 100
Norcross, GA 30093
O 800 366 4327
F 770 806 0214
www.certainteed.com/architectural

SPECIFICATIONS
(unless noted otherwise)

MATERIAL: .020" | .025" ALUMINUM BOX 2 PANEL | .040" ALUMINUM
UNIVERSAL CARRIER

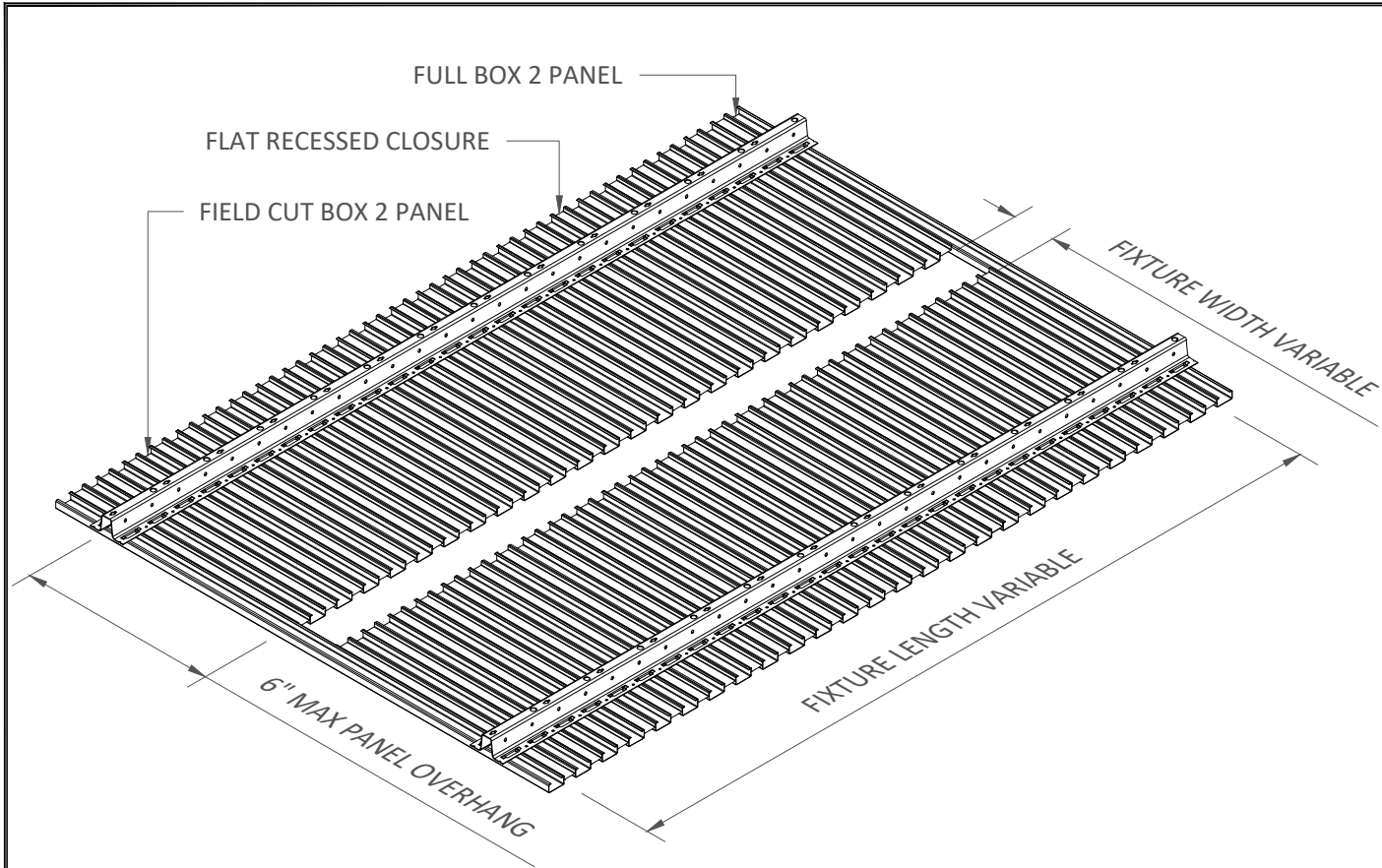
FINISH: PAINT | POWDER COAT | DECORATED WOOD FINISH | LUXACOTE

PERFORATION: NOT AVAILABLE

INTERRUPTED PANEL FOR TYPICAL FIXTURE

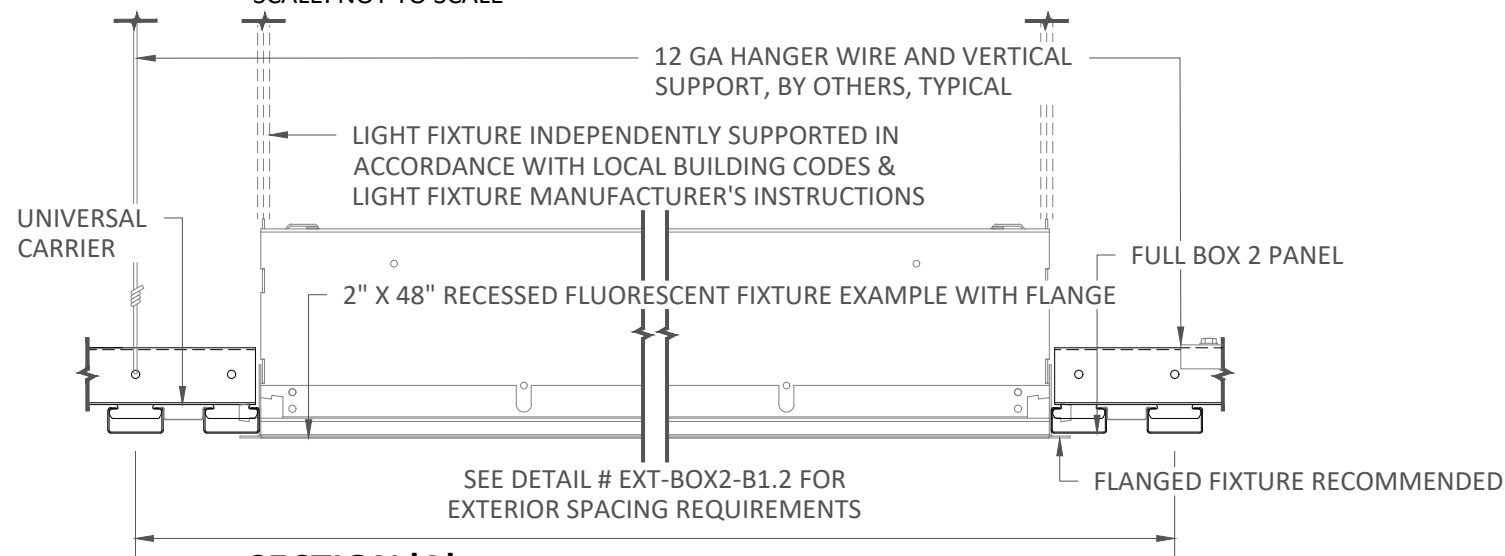
PROJECT: EXTERIOR BOX 2 PRODUCT SPECIFICATIONS
DRAWING NUMBER: EXT-BOX2-B1.8
SCALE: AS SHOWN
DRAWN BY: CTA ENGINEERING
DATE: 6/1/21

These drawings show typical conditions for installing the CertainTeed product shown. They should not be construed as a substitute for an architectural or engineering design and do not reflect the unique requirements of local codes, laws, statutes or regulations that may be applicable for a specific installation. CertainTeed assumes no liability for the accuracy or completeness of the drawings for a specific installation or the fitness of the drawings for a particular purpose. The user is advised to consult with local licensed design professionals in order to assure compliance with all legal requirements. CertainTeed is not licensed to provide professional engineering or architectural services.



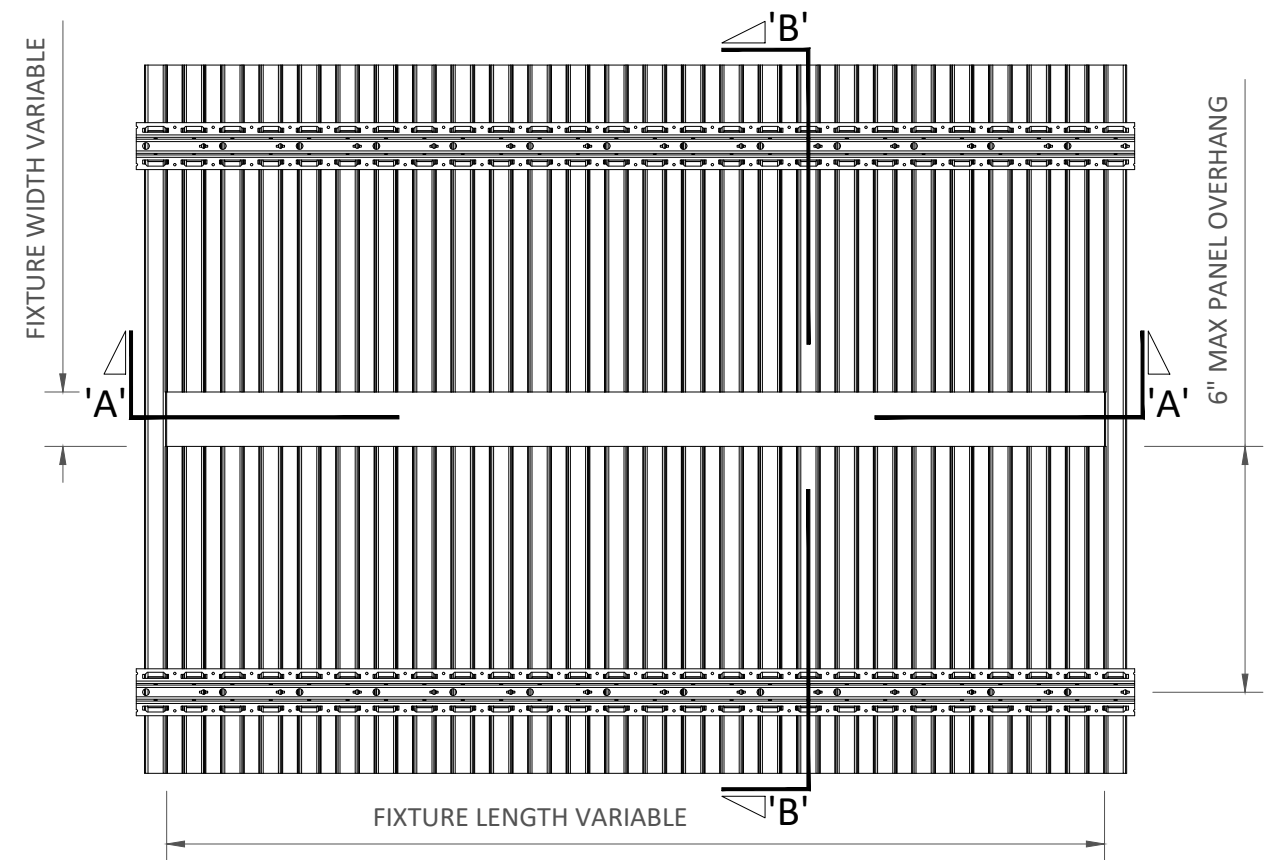
TYPICAL ISOMETRIC

SCALE: NOT TO SCALE



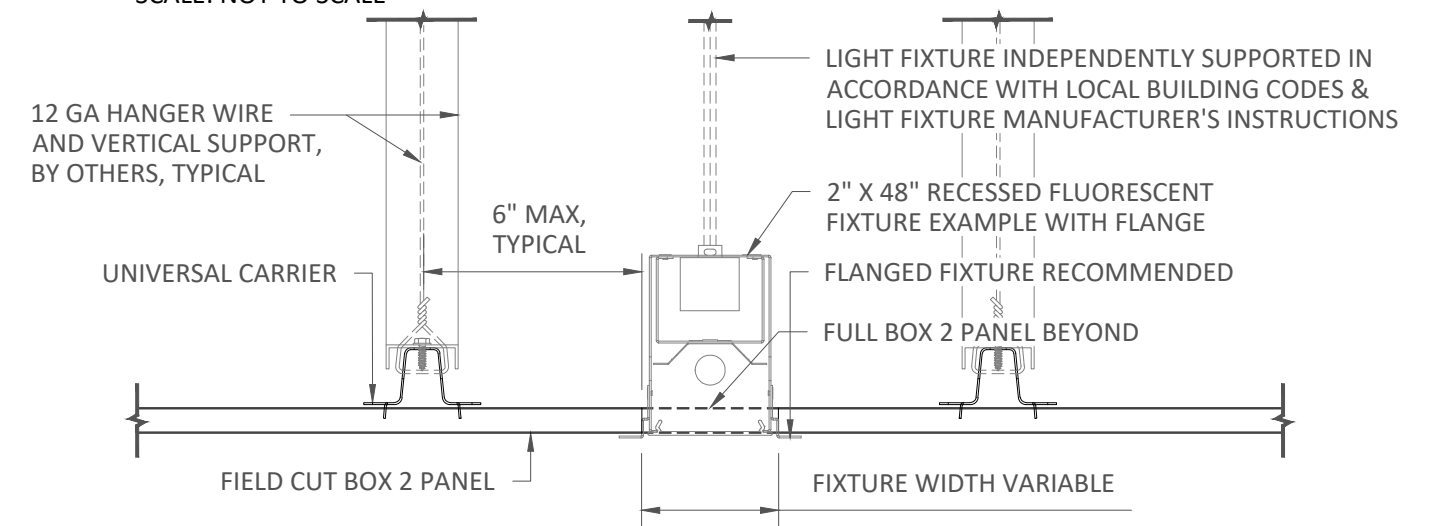
SECTION 'A'

SCALE: 3" = 1'-0"



TOP VIEW

SCALE: NOT TO SCALE



SECTION 'B'

SCALE: 3" = 1'-0"

NOTE: FIXTURE WITH TRIM FLANGE NOT BY CERTAINTEED



5015 Oakbrook Parkway, Suite 100
 Norcross, GA 30093
 O 800 366 4327
 F 770 806 0214
www.certainteed.com/architectural

SPECIFICATIONS

(unless noted otherwise)

MATERIAL: .020" | .025" ALUMINUM BOX 2 PANEL | .040" ALUMINUM

UNIVERSAL CARRIER

FINISH: PAINT | POWDER COAT | DECORATED WOOD FINISH | LUXACOTE

PERFORATION: NOT AVAILABLE

FIELD CUT PANEL FOR TYPICAL FIXTURE

PROJECT: EXTERIOR BOX 2 PRODUCT SPECIFICATIONS

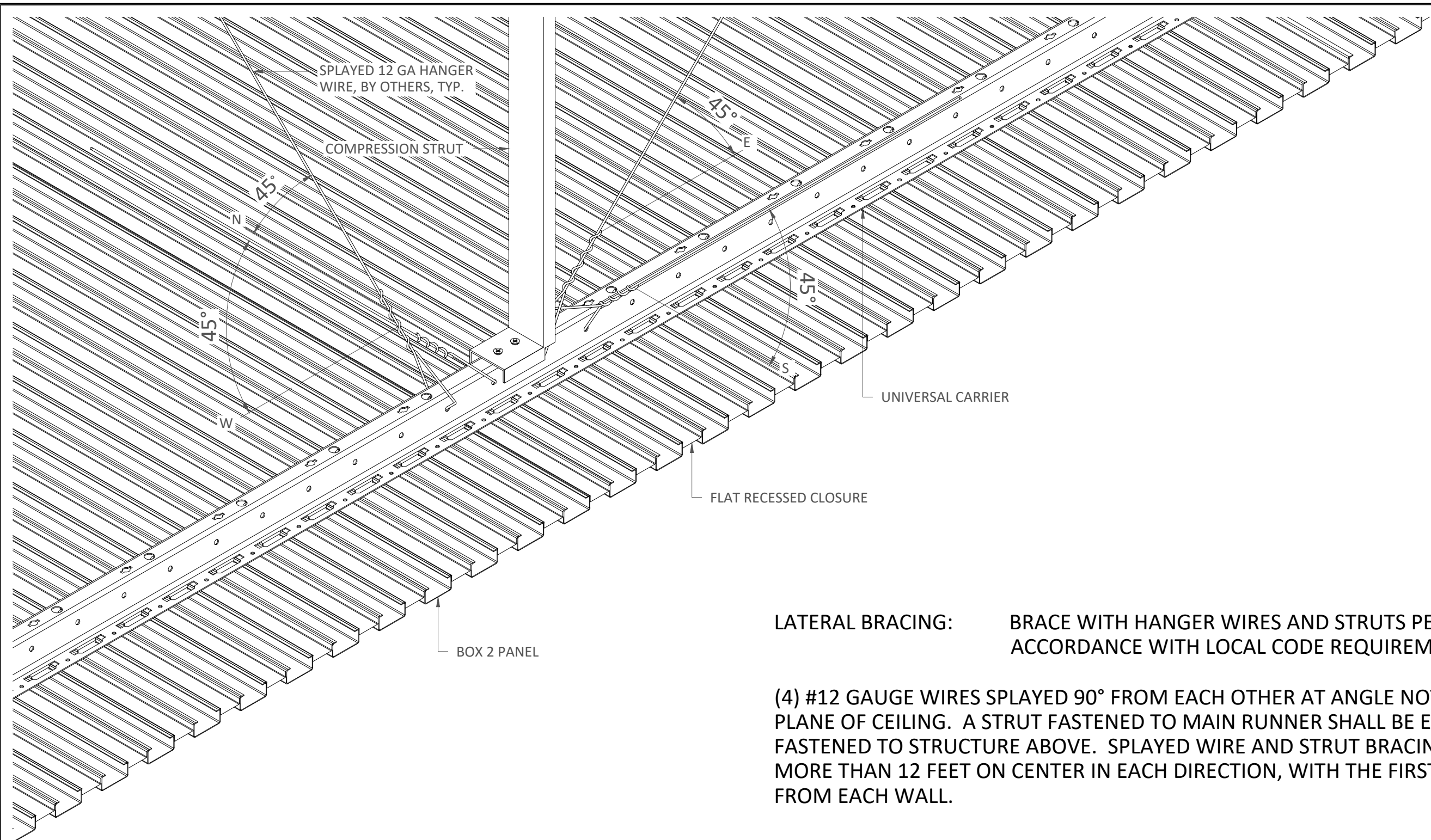
DRAWING NUMBER: EXT-BOX2-B1.9

SCALE: AS SHOWN

DRAWN BY: CTA ENGINEERING

DATE: 6/1/21

These drawings show typical conditions for installing the CertainTeed product shown. They should not be construed as a substitute for an architectural or engineering design and do not reflect the unique requirements of local codes, laws, statutes or regulations that may be applicable for a specific installation. CertainTeed assumes no liability for the accuracy or completeness of the drawings for a specific installation or the fitness of the drawings for a particular purpose. The user is advised to consult with local licensed design professionals in order to assure compliance with all legal requirements. CertainTeed is not licensed to provide professional engineering or architectural services.



LATERAL BRACING: BRACE WITH HANGER WIRES AND STRUTS PER ASTM E-580 AND IN ACCORDANCE WITH LOCAL CODE REQUIREMENTS.

(4) #12 GAUGE WIRES SPLAYED 90° FROM EACH OTHER AT ANGLE NOT EXCEEDING 45° FROM PLANE OF CEILING. A STRUT FASTENED TO MAIN RUNNER SHALL BE EXTENDED TO AND FASTENED TO STRUCTURE ABOVE. SPLAYED WIRE AND STRUT BRACING TO BE PLACED NOT MORE THAN 12 FEET ON CENTER IN EACH DIRECTION, WITH THE FIRST POINT WITHIN 6 FEET FROM EACH WALL.

EXTERIOR INSTALLATION

ARCHITECTURAL

CertainTeed
SAINT-GOBAIN

5015 Oakbrook Parkway, Suite 100
Norcross, GA 30093
O 800 366 4327
F 770 806 0214
www.certainteed.com/architectural

SPECIFICATIONS
(unless noted otherwise)

MATERIAL: .020" | .025" ALUMINUM BOX 2 PANEL | .040" ALUMINUM
UNIVERSAL CARRIER
FINISH: PAINT | POWDER COAT | DECORATED WOOD FINISH | LUXACOTE
PERFORATION: NOT AVAILABLE

SEISMIC SPECIFICATIONS

PROJECT: EXTERIOR BOX 2 PRODUCT SPECIFICATIONS
DRAWING NUMBER: EXT-BOX2-B1.12
SCALE: AS SHOWN
DRAWN BY: CTA ENGINEERING
DATE: 6/1/21

These drawings show typical conditions for installing the CertainTeed product shown. They should not be construed as a substitute for an architectural or engineering design and do not reflect the unique requirements of local codes, laws, statutes or regulations that may be applicable for a specific installation. CertainTeed assumes no liability for the accuracy or completeness of the drawings for a specific installation or the fitness of the drawings for a particular purpose. The user is advised to consult with local licensed design professionals in order to assure compliance with all legal requirements. CertainTeed is not licensed to provide professional engineering or architectural services.