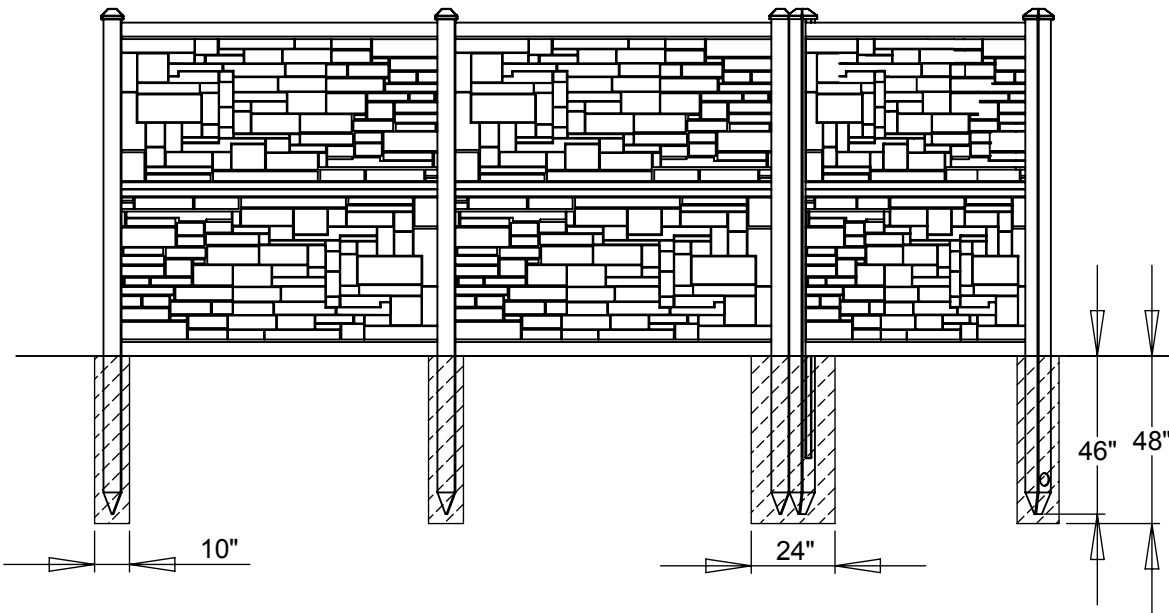
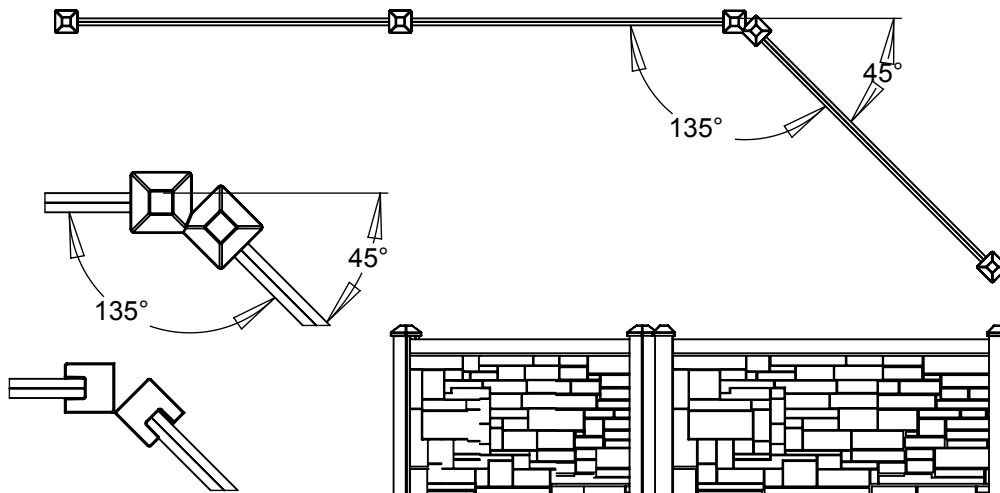


45° Fence Installation 8'

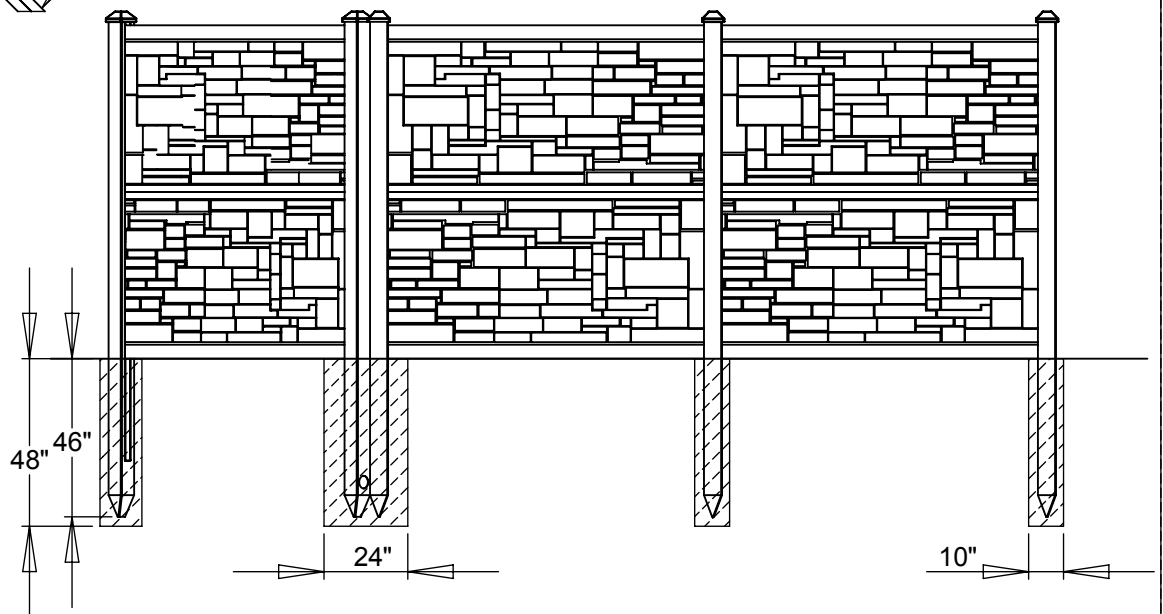
Front View



Top View



Back View



SimTek Fence can be installed at a 45° angle using 2 End Posts and a 45° Specialty Cap

45 Angled Fence 8'

This drawing may not be altered or reproduced without the permission of SimTek® Fence

Date: January 3, 2011

Scale: not to scale

REV: GF

Sheet 1 of 1

U.S. Patents: 7,478,797 / 7,635,114 Foreign Patents Pending

